

TRADITIONAL STYLED BASE

4700 Series

Base

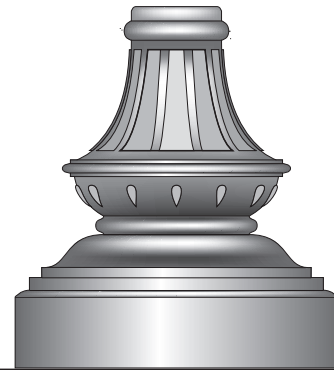
One piece corrosion resistant, durable cast aluminum construction (a356 alum. alloy). Minimum .225 wall thickness. Base consists of a 17" dia. smooth tapered bottom section, a decorative tapered fluted section of evenly spaced wide raised vertical flutes and a decorative vertical cast aluminum Collar. Base is furnished with a contoured, fluted flush Hand Hole and Cover. Hand Hole Cover supplied with tamper resistant hardware. Grounding Lug provided inside Base opposite Hand Hole.

Anchorage

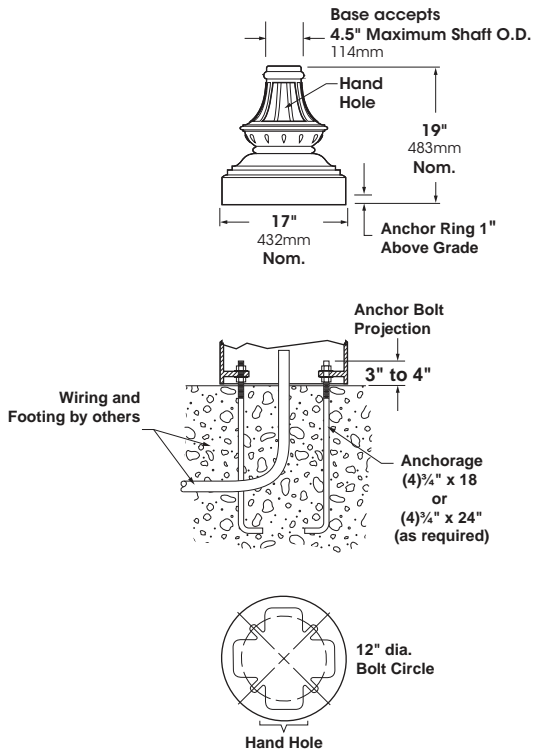
A 3/4" cast aluminum anchor ring is welded 1" above bottom of base to accept (4) fully galvanized anchor bolts. Each bolt supplied with two nuts and two washers. Anchorage is fastened through hand hole.

Finish

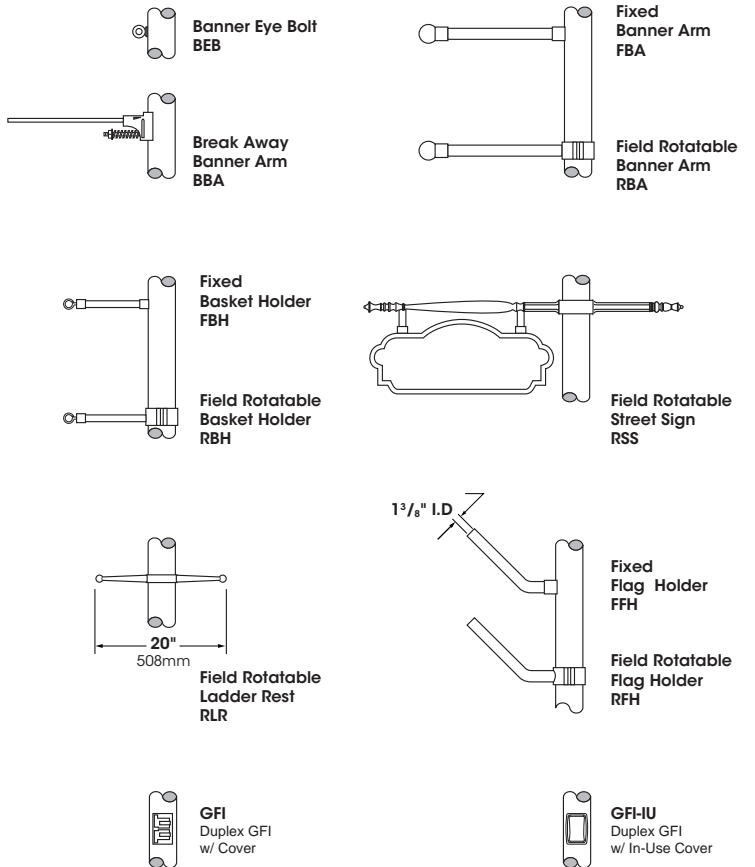
Electrostatically applied TGIC Polyester Powder Coat on substrate prepared with 20 PSI power wash at 140°F. Four step media blast and iron phosphate pretreatment for protection and paint adhesion. 400°F bake for maximum hardness and durability.


4700

ANCHORAGE DATA



OPTIONS



<https://www.usaltg.com/downloads/pdf/Pole-Arm-Accessories.pdf>

2024057