

SOLID STATE AREA LIGHTING

CAMBER 3 SERIES-LED

S P E C I F I C A T I O N S

FIXTURE

Durable corrosion resistant, low copper cast aluminum (A356 alloy; <0.2% Cu) with inset to index Body to Ballast Housing. Body mounts to Ballast Housing after Ballast Housing installation via cast hinges designed to accept stainless-steel hinge pins. Strut support arms are cast as integral components of the Fixture Body. Struts are parallel extruded aluminum .84" diameter and are indexed to allow Glare Shield to be secured in one of five (5) vertical positions. One Strut has stainless steel recessed captive socket-head screws top and bottom to allow Glare Shield, Indirect Reflectors, or Half Cylinder to hinge away for relamping.

REFLECTOR

Constructed of corrosion resistant low copper cast aluminum alloy #A356 (<0.2% Cu), Indirect Reflector is curved and has stainless steel socket-head screws to secure its vertical position along the Struts. Curved Indirect Reflector is adjustable for tilt from 0° (horizontal) to 45° up.

LED POWER ARRAY™

Two individual LED Tubes fastened to a retaining bracket. Each LED Tube consists of circuit board populated with a multiple of LED's and is mechanically fastened to a radial aluminum heat sink. One piece molded glass enclosure threads into a gasketed socket and protects array.

LED DRIVER

Constant current LED drivers are UL and cUL recognized mounted on a single plate and factory prewired with quick-disconnect plugs. Drivers are electronic and have a power factor of >.90 and a minimum operating temperature of -40°F. Drivers accept an input of 120-277V, 50/60Hz. (Consult factory for dimming applications.)

FINISH

Electrostatically applied TGIC Polyester Powder Coat on substrate prepared with 20 PSI power wash at 140°F. Four step iron phosphate pretreatment for protection and paint adhesion. 400°F bake for maximum hardness and durability. Texture finish is standard.

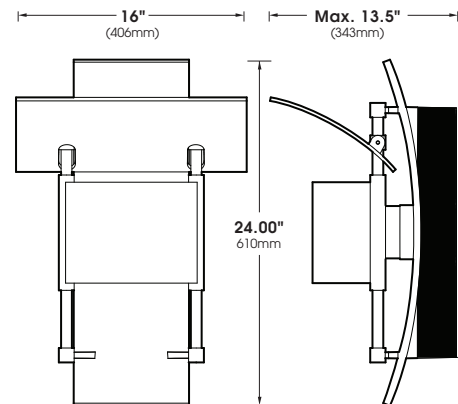
PROJECT NAME: _____

PROJECT TYPE: _____



C B R 3

PATENT PENDING



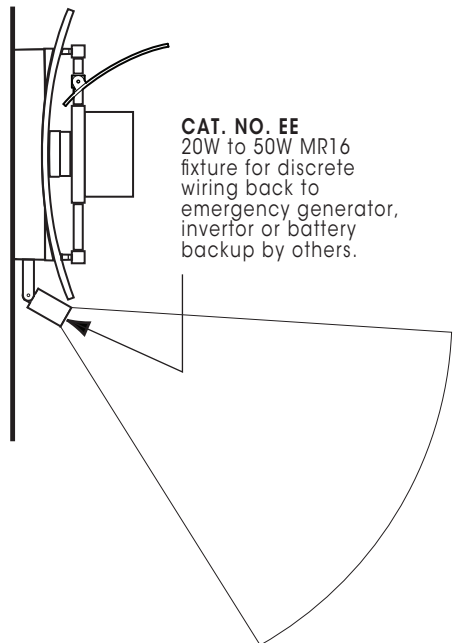
2013224



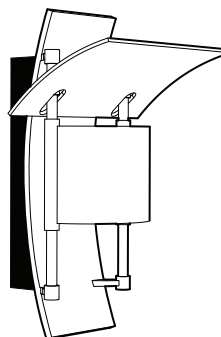
CAMBER 3 SERIES-LED

S P E C I F I C A T I O N S

OPTIONAL EMERGENCY EGRESS



LED MODULE



Power Array

CBR3-LED

POWER ARRAY™
Available in:
2 Array 12 LED Max.

O R D E R I N G I N F O R M A T I O N

MODEL	# of LED's	COLOR	VOLTAGE	FINISH	OPTIONS
MODEL	LED	FINISH	OPTIONS		
<input type="checkbox"/> CBR3-LED	# of LEDs <input type="checkbox"/> 12LED (14 Watts) <small>WATTS ARE MAX INPUT WATTS</small>	COLOR <input type="checkbox"/> NW (4000K) Standard <input type="checkbox"/> CW (5000K) <input type="checkbox"/> WW (3000K) <small>OTHER LED COLORS AVAILABLE CONSULT FACTORY</small>	VOLTAGE <input type="checkbox"/> 120 <input type="checkbox"/> 208 <input type="checkbox"/> 240 <input type="checkbox"/> 277 <input type="checkbox"/> 347 <input type="checkbox"/> 480	STANDARD TEXTURED FINISH <input type="checkbox"/> BLACK RAL-9005-T <input type="checkbox"/> WHITE RAL-9003-T <input type="checkbox"/> GREY RAL-7004-T <input type="checkbox"/> DARK BRONZE RAL-8019-T <input type="checkbox"/> GREEN RAL-6005-T <small>FOR SMOOTH FINISH REPLACE SUFFIX "T" WITH SUFFIX "S" (EXAMPLE: RAL-9500-S)</small> <small>BALLAST HOUSING IS ALWAYS BLACK</small> <small>SEE USALTG.COM FOR ADDITIONAL COLORS</small>	<input type="checkbox"/> DIMMABLE DRIVER (0-10V PROVIDED) DIM <input type="checkbox"/> HIGH-LOW DIMMING FOR HARDWIRED SWITCHING OR NONINTEGRATED MOTION SENSOR HLSW <input type="checkbox"/> 10KV SURGE PROTECTOR 10SP <input type="checkbox"/> 20KV SURGE PROTECTOR (277V & 480V Only) 20SP <input type="checkbox"/> EMERGENCY EGRESS EE
	<small>OTHER LED COLORS AVAILABLE CONSULT FACTORY</small>				

