

○ ROUND NON-TAPERED ALUMINUM POLE

RNTA

Shaft

Round extruded from 6063 alloy aluminum tubing. Heat treated to produce a T6 temper. Shaft includes a hand hole furnished with cover. Shaft is furnished with ground lugs located on cast aluminum base plate.

Drilling Side Mount

A removable pole cap is included. Pole will be drilled to match U.S. Architectural fixtures. For other Drilling required, please specify DP after specified drill pattern. (example: 2-180DP)

Pole Top Mount

Standard pole top mount - PT27, fabricated from 2.5" (2.875" O.D.) aluminum pipe - tenon options available for pole tops please see Mounting column. For other pole top configurations please consult factory.

Hand Hole Cover

Rectangular 3" x 5" stamped heavy gauge aluminum material Hand Hole Cover, 2 1/4" x 4 1/4" access opening. Sealed door is secured by a formed aluminum bar and a stainless steel, tamper proof screw.

Base Plate

Cast aluminum constructed of A-356 aluminum alloy heat treated to produce a T6 temper. Structurally engineered base includes eight heavy wall reinforcing vertical gussets. Base telescopes and is circumferentially welded to shaft at both the outside top and inside bottom of the base.

Anchorage

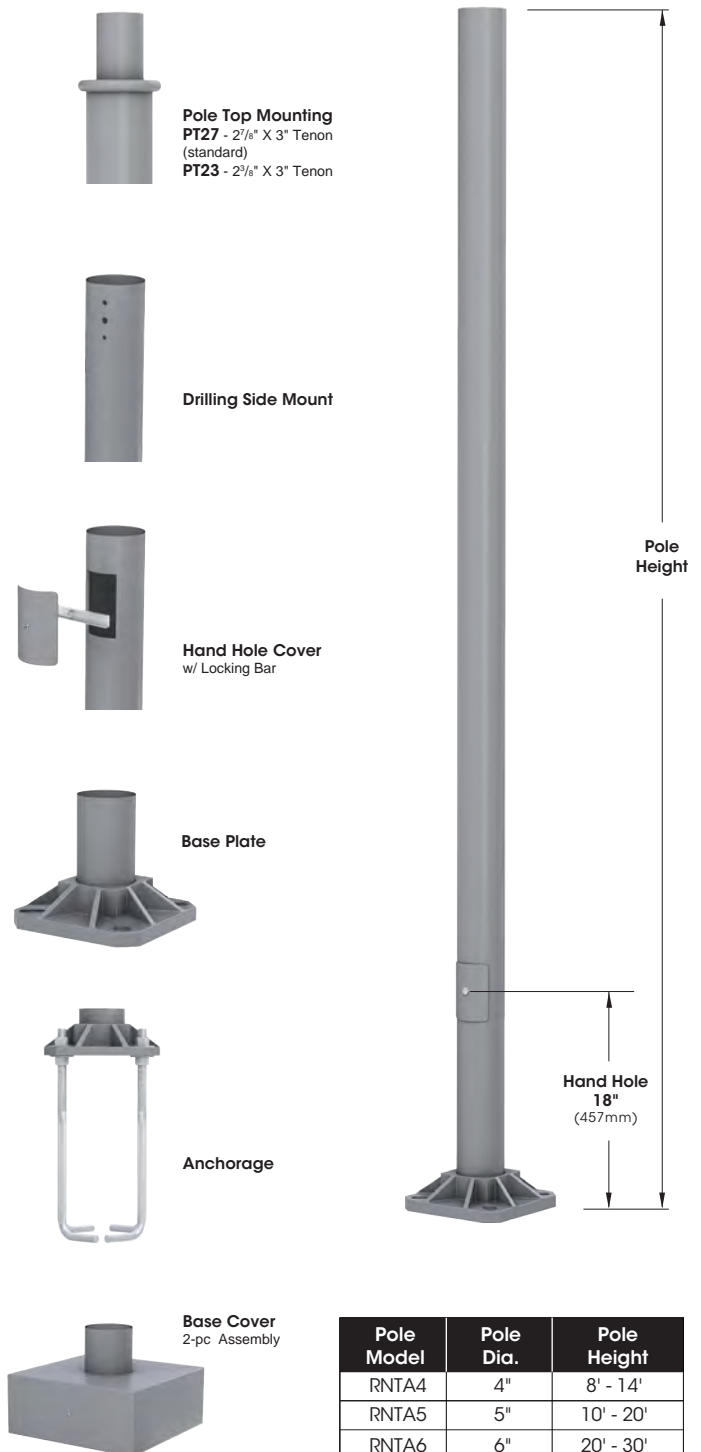
(4) anchor bolts fabricated from hot rolled steel bar. Minimum yield strength of 50,000 P.S.I. Bolts have "L" bend on one end and are threaded on the other. Bolts are fully galvanized and are furnished with two nuts and two washers.

Base Cover

Fabricated from heavy wall aluminum construction. Two piece cover conceals base.

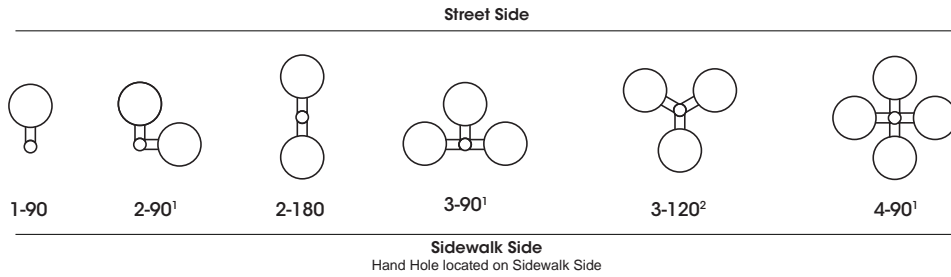
Finish

Electrostatically applied TGIC Polyester Powder Coat on substrate prepared with 20 PSI power wash at 140°F. Four step media blast and iron phosphate pretreatment for protection and paint adhesion. 400°F bake for maximum hardness and durability.



Pole Model	Pole Dia.	Pole Height
RNTA4	4"	8' - 14'
RNTA5	5"	10' - 20'
RNTA6	6"	20' - 30'
RNTA658	6 5/8"	20' - 30'

DRILLING SIDE MOUNT



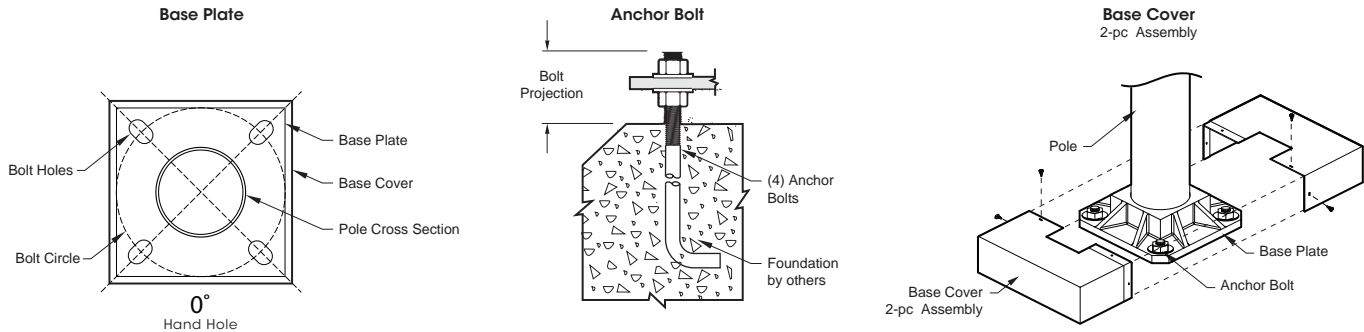
Notes

- 1- Poles smaller than 5" Dia. at top, or Non Linear Drilling requires PT27 and T490 Adaptor. (Adaptor is rotatable)
- 2- Poles smaller than 5" Dia. at top, or Non Linear Drilling requires PT27 and T3120 Adaptor. (Adaptor is rotatable)

When drilling pattern from other manufacturer's fixture is required, add "DP" to drill specifications. (Example: 2-180DP) **Drilling template must be provided.**

In the case of other manufacturer's drilling pattern, customer must provide drilling pattern.

BOLT CIRCLE



Catalog Number	POLE								ANCHOR BOLTS				ANCHOR PLATE		
	Height		Bottom - Top				Wall Thickness (In/Go)	Weight (Lbs)	Bolt Size	Bolt Projection above grade ^{2,3}	Bolt Circle Dia Range ¹	Bolt Circle Dia (In) (Rec.)	Template	Base Plate	Cover
	Ft	M	In	Cm	In	Cm									
RNTA 84-125	8	2.44	4.00	4.00	10.16	10.16	0.125	23	3/4" x 18" x 3"	3/4" - 33/4"	9 1/2" - 10 1/2"	10"	US10	3/4" x 10" x 10"	5" x 12" x 12"
RNTA 104-125	10	3.05	4.00	4.00	10.16	10.16	0.125	27	3/4" x 18" x 3"	3/4" - 33/4"	9 1/2" - 10 1/2"	10"	US10	3/4" x 10" x 10"	5" x 12" x 12"
RNTA 124-125	12	3.66	4.00	4.00	10.16	10.16	0.125	30	3/4" x 18" x 3"	3/4" - 33/4"	9 1/2" - 10 1/2"	10"	US10	3/4" x 10" x 10"	5" x 12" x 12"
RNTA 144-125	14	4.27	4.00	4.00	10.16	10.16	0.125	34	3/4" x 18" x 3"	3/4" - 33/4"	9 1/2" - 10 1/2"	10"	US10	3/4" x 10" x 10"	5" x 12" x 12"
RNTA 105-125	10	3.05	5.00	5.00	12.70	12.70	0.125	32	3/4" x 24" x 3"	3/4" - 33/4"	11 1/2" - 12"	12"	US12	1" x 11" x 11"	5" x 12" x 12"
RNTA 125-125	12	3.66	5.00	5.00	12.70	12.70	0.125	36	3/4" x 24" x 3"	3/4" - 33/4"	11 1/2" - 12"	12"	US12	1" x 11" x 11"	5" x 12" x 12"
RNTA 145-125	14	4.27	5.00	5.00	12.70	12.70	0.125	41	3/4" x 24" x 3"	3/4" - 33/4"	11 1/2" - 12"	12"	US12	1" x 11" x 11"	5" x 12" x 12"
RNTA 145-188	14	4.27	5.00	5.00	12.70	12.70	0.188	56	3/4" x 24" x 3"	3/4" - 33/4"	11 1/2" - 12"	12"	US12	1" x 11" x 11"	5" x 12" x 12"
RNTA 165-125	16	4.88	5.00	5.00	12.70	12.70	0.125	45	3/4" x 24" x 3"	3/4" - 33/4"	11 1/2" - 12"	12"	US12	1" x 11" x 11"	5" x 12" x 12"
RNTA 165-188	16	4.88	5.00	5.00	12.70	12.70	0.188	63	3/4" x 24" x 3"	3/4" - 33/4"	11 1/2" - 12"	12"	US12	1" x 11" x 11"	5" x 12" x 12"
RNTA 185-125	18	5.49	5.00	5.00	12.70	12.70	0.125	50	3/4" x 24" x 3"	3/4" - 33/4"	11 1/2" - 12"	12"	US12	1" x 11" x 11"	5" x 12" x 12"
RNTA 185-188	18	5.49	5.00	5.00	12.70	12.70	0.188	69	3/4" x 24" x 3"	3/4" - 33/4"	11 1/2" - 12"	12"	US12	1" x 11" x 11"	5" x 12" x 12"
RNTA 205-188	20	6.10	5.00	5.00	12.70	12.70	0.188	76	3/4" x 24" x 3"	3/4" - 33/4"	11 1/2" - 12"	12"	US12	1" x 11" x 11"	5" x 12" x 12"
RNTA 206-188	20	6.10	6.00	6.00	15.24	15.24	0.188	95	1" x 36" x 4"	4" - 4 1/2"	12" - 13"	13"	US13	1" x 11 1/2" x 11 1/2"	5" x 12" x 12"
RNTA 206-250	20	6.10	6.00	6.00	15.24	15.24	0.250	121	1" x 36" x 4"	4" - 4 1/2"	12" - 13"	13"	US13	1" x 11 1/2" x 11 1/2"	5" x 12" x 12"
RNTA 256-188	25	7.62	6.00	6.00	15.24	15.24	0.188	115	1" x 36" x 4"	4" - 4 1/2"	12" - 13"	13"	US13	1" x 11 1/2" x 11 1/2"	5" x 12" x 12"
RNTA 256-250	25	7.62	6.00	6.00	15.24	15.24	0.250	147	1" x 36" x 4"	4" - 4 1/2"	12" - 13"	13"	US13	1" x 11 1/2" x 11 1/2"	5" x 12" x 12"
RNTA 306-188	30	9.15	6.00	6.00	15.24	15.24	0.188	135	1" x 36" x 4"	4" - 4 1/2"	12" - 13"	13"	US13	1" x 11 1/2" x 11 1/2"	5" x 12" x 12"
RNTA 306-250	30	9.15	6.00	6.00	15.24	15.24	0.250	173	1" x 36" x 4"	4" - 4 1/2"	12" - 13"	13"	US13	1" x 11 1/2" x 11 1/2"	5" x 12" x 12"
RNTA 20658-250	20	6.10	6.63	6.63	16.83	16.83	0.250	135	1" x 36" x 4"	4" - 4 1/2"	11" - 13"	13"	US13	1" x 11 1/2" x 11 1/2"	5" x 12" x 12"
RNTA 25658-250	25	7.62	6.63	6.63	16.83	16.83	0.250	165	1" x 36" x 4"	4" - 4 1/2"	11" - 13"	13"	US13	1" x 11 1/2" x 11 1/2"	5" x 12" x 12"
RNTA 30658-250	30	9.15	6.63	6.63	16.83	16.83	0.250	194	1" x 36" x 4"	4" - 4 1/2"	11" - 13"	13"	US13	1" x 11 1/2" x 11 1/2"	5" x 12" x 12"

1 - Not using correct bolt size or "(REC.) Recommended" Bolt Circle could result in Pole's failure.
 2 - Bolt Projection is calculated for slopes with 3 degrees or less.
 3 - For slopes greater than 3 degrees, please add Bolt Length Projection as necessary.

ORDERING INFORMATION

Spec/Order Example: RNTA205-188/1-90/RAL-6005-T

Pole Model Number	Mounting	Finish	Options																																																																					
<p>Pole Model Number</p> <p>4" Pole Dia.</p> <table border="1"> <thead> <tr> <th>Pole Model Number</th> <th>Pole Height</th> <th>Wall Thickness</th> </tr> </thead> <tbody> <tr><td><input type="checkbox"/> RNTA 84 - 125</td><td>8'</td><td>.125</td></tr> <tr><td><input type="checkbox"/> RNTA 104 - 125</td><td>10'</td><td>.125</td></tr> <tr><td><input type="checkbox"/> RNTA 124 - 125</td><td>12'</td><td>.125</td></tr> <tr><td><input type="checkbox"/> RNTA 144 - 125</td><td>14'</td><td>.125</td></tr> </tbody> </table> <p>5" Pole Dia.</p> <table border="1"> <tbody> <tr><td><input type="checkbox"/> RNTA 105 - 125</td><td>10'</td><td>.125</td></tr> <tr><td><input type="checkbox"/> RNTA 125 - 125</td><td>12'</td><td>.125</td></tr> <tr><td><input type="checkbox"/> RNTA 145 - 125</td><td>14'</td><td>.125</td></tr> <tr><td><input type="checkbox"/> RNTA 145 - 188</td><td>14'</td><td>.188</td></tr> <tr><td><input type="checkbox"/> RNTA 165 - 125</td><td>16'</td><td>.125</td></tr> <tr><td><input type="checkbox"/> RNTA 165 - 188</td><td>16'</td><td>.188</td></tr> <tr><td><input type="checkbox"/> RNTA 185 - 125</td><td>18'</td><td>.125</td></tr> <tr><td><input type="checkbox"/> RNTA 185 - 188</td><td>18'</td><td>.188</td></tr> <tr><td><input type="checkbox"/> RNTA 205 - 188</td><td>20'</td><td>.188</td></tr> </tbody> </table> <p>6" Pole Dia.</p> <table border="1"> <tbody> <tr><td><input type="checkbox"/> RNTA 206 - 188</td><td>20'</td><td>.188</td></tr> <tr><td><input type="checkbox"/> RNTA 206 - 250</td><td>20'</td><td>.250</td></tr> <tr><td><input type="checkbox"/> RNTA 256 - 188</td><td>25'</td><td>.188</td></tr> <tr><td><input type="checkbox"/> RNTA 256 - 250</td><td>25'</td><td>.250</td></tr> <tr><td><input type="checkbox"/> RNTA 306 - 188</td><td>30'</td><td>.188</td></tr> <tr><td><input type="checkbox"/> RNTA 306 - 250</td><td>30'</td><td>.250</td></tr> </tbody> </table> <p>6⁵/₈" Pole Dia.</p> <table border="1"> <tbody> <tr><td><input type="checkbox"/> RNTA 20658 - 250</td><td>20'</td><td>.250</td></tr> <tr><td><input type="checkbox"/> RNTA 25658 - 250</td><td>25'</td><td>.250</td></tr> <tr><td><input type="checkbox"/> RNTA 30658 - 250</td><td>30'</td><td>.250</td></tr> </tbody> </table> <p>Other heights available Please consult factory</p>	Pole Model Number	Pole Height	Wall Thickness	<input type="checkbox"/> RNTA 84 - 125	8'	.125	<input type="checkbox"/> RNTA 104 - 125	10'	.125	<input type="checkbox"/> RNTA 124 - 125	12'	.125	<input type="checkbox"/> RNTA 144 - 125	14'	.125	<input type="checkbox"/> RNTA 105 - 125	10'	.125	<input type="checkbox"/> RNTA 125 - 125	12'	.125	<input type="checkbox"/> RNTA 145 - 125	14'	.125	<input type="checkbox"/> RNTA 145 - 188	14'	.188	<input type="checkbox"/> RNTA 165 - 125	16'	.125	<input type="checkbox"/> RNTA 165 - 188	16'	.188	<input type="checkbox"/> RNTA 185 - 125	18'	.125	<input type="checkbox"/> RNTA 185 - 188	18'	.188	<input type="checkbox"/> RNTA 205 - 188	20'	.188	<input type="checkbox"/> RNTA 206 - 188	20'	.188	<input type="checkbox"/> RNTA 206 - 250	20'	.250	<input type="checkbox"/> RNTA 256 - 188	25'	.188	<input type="checkbox"/> RNTA 256 - 250	25'	.250	<input type="checkbox"/> RNTA 306 - 188	30'	.188	<input type="checkbox"/> RNTA 306 - 250	30'	.250	<input type="checkbox"/> RNTA 20658 - 250	20'	.250	<input type="checkbox"/> RNTA 25658 - 250	25'	.250	<input type="checkbox"/> RNTA 30658 - 250	30'	.250	<p>Mounting</p> <p>Tenon Mount</p> <p><input type="checkbox"/> 2⁷/₈" X 3" Tenon PT27 (Standard)</p> <p><input type="checkbox"/> 2³/₈" X 3" Tenon PT23</p> <p><input type="checkbox"/> 2⁷/₈" X 6" Tenon PT276</p> <p><input type="checkbox"/> Other Tenon Mt _____</p> <p>Drill Mount</p> <p><input type="checkbox"/> 1-90 </p> <p><input type="checkbox"/> 2-180 </p> <p><input type="checkbox"/> 2-90 </p> <p><input type="checkbox"/> 3-90 </p> <p><input type="checkbox"/> 4-90 </p> <p><input type="checkbox"/> 3-120 </p> <p>3-120 requires PT27 and T3120 Adapter</p> <p>2-90, 3-90, 4-90 requires PT27 and T490 Adapter</p> <p>When Drilling Pattern from other manufacturer is required, add "DP" to drill specifications (Example: 2-180DP) Drilling template must be provided.</p>	<p>Finish</p> <p>Standard Smooth Finish</p> <p><input type="checkbox"/> Black RAL-9005-S</p> <p><input type="checkbox"/> White RAL-9003-S</p> <p><input type="checkbox"/> Grey RAL-7004-S</p> <p><input type="checkbox"/> Dark Bronze RAL-8019-S</p> <p><input type="checkbox"/> Green RAL-6005-S</p> <p>Premium Finishes</p> <p><input type="checkbox"/> Rust</p> <p><input type="checkbox"/> Patina Copper PC</p> <p><input type="checkbox"/> Custom Specify RAL# _____</p> <p><input type="checkbox"/> Anodized AZ</p> <p>For Textured Finish replace suffix "S" with suffix "T" Example: RAL-9005-T</p> <p>See USALTG.COM for additional colors</p>	<p>Options</p> <p><input type="checkbox"/> Vibration Dampener 2nd Mode Field Install VBDS-M2</p> <p>Receptacle</p> <p><input type="checkbox"/> G.F.I. Receptacle w/ Cover GFI</p> <p><input type="checkbox"/> G.F.I. Receptacle w/ In-Use Cover GFI-IU [Specify GFI location: Height and Direction] See Location Diagram below</p> <p><input type="checkbox"/> 3 Way Adapter T3120</p> <p><input type="checkbox"/> 4 Way Adapter T490</p> <p>Coupling</p> <p><input type="checkbox"/> 1/2" Coupling CPLN12</p> <p><input type="checkbox"/> 3/4" Coupling CPLN34</p> <p><input type="checkbox"/> 1 1/4" Coupling CPLN114</p> <p><input type="checkbox"/> 1 1/2" Coupling CPLN112</p> <p><input type="checkbox"/> 2" Coupling CPLN2 [Specify Coupling location: Height and Direction] See Location Diagram below</p> <p>Nipple</p> <p><input type="checkbox"/> 1/2" Nipple NPLE12</p> <p><input type="checkbox"/> 3/4" Nipple NPLE34</p> <p><input type="checkbox"/> 1 1/4" Nipple NPLE114</p> <p><input type="checkbox"/> 1 1/2" Nipple NPLE112</p> <p><input type="checkbox"/> 2" Nipple NPLE2 [Specify Coupling location: Height and Direction] See Location Diagram below</p> <p>Location Diagram Please use this diagram to indicate placement location</p> <p>Refer to the Accessories Section for other options</p>
Pole Model Number	Pole Height	Wall Thickness																																																																						
<input type="checkbox"/> RNTA 84 - 125	8'	.125																																																																						
<input type="checkbox"/> RNTA 104 - 125	10'	.125																																																																						
<input type="checkbox"/> RNTA 124 - 125	12'	.125																																																																						
<input type="checkbox"/> RNTA 144 - 125	14'	.125																																																																						
<input type="checkbox"/> RNTA 105 - 125	10'	.125																																																																						
<input type="checkbox"/> RNTA 125 - 125	12'	.125																																																																						
<input type="checkbox"/> RNTA 145 - 125	14'	.125																																																																						
<input type="checkbox"/> RNTA 145 - 188	14'	.188																																																																						
<input type="checkbox"/> RNTA 165 - 125	16'	.125																																																																						
<input type="checkbox"/> RNTA 165 - 188	16'	.188																																																																						
<input type="checkbox"/> RNTA 185 - 125	18'	.125																																																																						
<input type="checkbox"/> RNTA 185 - 188	18'	.188																																																																						
<input type="checkbox"/> RNTA 205 - 188	20'	.188																																																																						
<input type="checkbox"/> RNTA 206 - 188	20'	.188																																																																						
<input type="checkbox"/> RNTA 206 - 250	20'	.250																																																																						
<input type="checkbox"/> RNTA 256 - 188	25'	.188																																																																						
<input type="checkbox"/> RNTA 256 - 250	25'	.250																																																																						
<input type="checkbox"/> RNTA 306 - 188	30'	.188																																																																						
<input type="checkbox"/> RNTA 306 - 250	30'	.250																																																																						
<input type="checkbox"/> RNTA 20658 - 250	20'	.250																																																																						
<input type="checkbox"/> RNTA 25658 - 250	25'	.250																																																																						
<input type="checkbox"/> RNTA 30658 - 250	30'	.250																																																																						

OPTIONS



GFI
Duplex GFI
w/ Cover



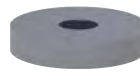
GFI-IU
Duplex GFI
w/ In-Use Cover



T3120
3 Way Adapter



T490
4 Way Adapter



FRBC
Flat Round Base Cover



RBC
Round Base Cover

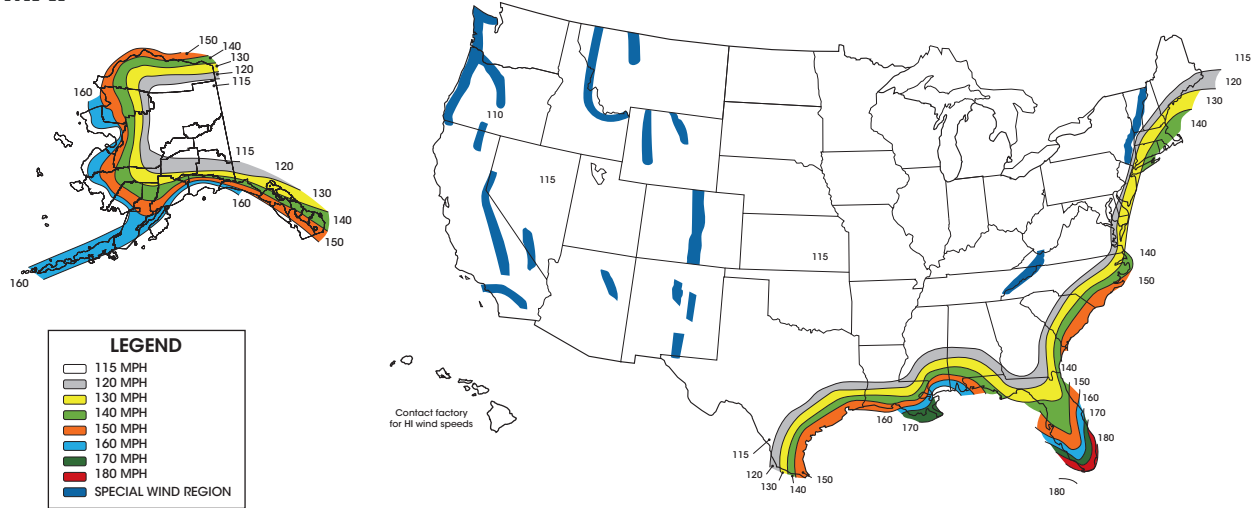


CPLN
1/2", 3/4", 1 1/4", 1 1/2",
or 2" Coupling



NPLE
1/2", 3/4", 1 1/4", 1 1/2",
or 2" Nipple

WIND MAP



EPA INFORMATION (ft²)
(per AASHTO LRFDLTS-1 revised 2022)

Cat. No.	Weight Capacity Maximum (Lbs.)	100 MPH	110 MPH	115 MPH	120 MPH	130 MPH	140 MPH	150 MPH	160 MPH	170 MPH	180 MPH
RNTA 84 - 125	300 - 122.5*	13.8	11.1	10.0	9.2	7.5	6.1	5.3	4.6	4.0	3.5
RNTA 104 - 125	300 - 77*	10.3	8.1	7.1	6.5	5.2	4.2	3.6	3.1	2.5	2.2
RNTA 124 - 125	262.5 - 60*	7.5	5.9	5.2	4.4	3.5	2.8	2.2	1.7	1.6	1.2
RNTA 144 - 125	199.5 - 60*	5.7	4.1	3.5	3.1	2.1	1.4	1.1	0.9	0.7	0.5
RNTA 105 - 125	300 - 164.5*	17.4	13.8	12.4	11.4	9.6	8.1	7.0	5.9	5.3	4.7
RNTA 125 - 125	300 - 115.5*	13.3	10.6	9.3	8.3	6.9	5.8	5.1	4.4	3.8	3.3
RNTA 145 - 125	300 - 84*	10.5	7.8	7.0	6.1	5.0	4.3	3.6	3.2	2.6	2.4
RNTA 145 - 188	300 - 143.5*	16.9	13.2	11.8	10.8	8.8	7.4	6.5	5.6	4.7	4.1
RNTA 165 - 125	255.5 - 60*	7.3	5.5	4.7	4.1	3.3	2.8	2.2	1.8	1.5	1.4
RNTA 165 - 188	300 - 105*	12.6	9.9	8.5	7.6	6.4	5.4	4.4	3.9	3.3	3.0
RNTA 185 - 125	189 - 60*	5.4	3.8	3.2	2.6	2.0	1.7	1.2	0.9	0.7	0.5
RNTA 185 - 188	300 - 73.5*	10.2	7.6	6.6	5.7	4.6	3.8	3.4	2.7	2.3	2.1
RNTA 205 - 188	273 - 60*	7.8	5.6	4.7	4.2	3.3	2.8	2.1	1.7	1.4	1.3
RNTA 206 - 188	300 - 119*	13.7	10.9	9.8	8.9	7.4	6.2	5.1	4.3	3.4	3.4
RNTA 206 - 250	300 - 154*	14.2	13.2	12.1	11.0	9.2	7.6	6.6	5.7	4.8	4.4
RNTA 256 - 188	241.5 - 60*	6.9	5.2	4.7	4.0	3.4	3.0	2.7	2.4	2.0	1.6
RNTA 256 - 250	300 - 91*	9.0	8.3	7.5	6.7	5.8	4.8	3.9	3.5	3.1	2.6
RNTA 306 - 188	136.5 - 60*	3.9	3.3	3.1	2.9	2.6	2.3	1.9	1.6	1.1	0.6
RNTA 306 - 250	280 - 70*	8.0	6.9	6.0	5.2	4.6	4.0	3.4	2.9	2.4	2.0
RNTA 20658 - 250	300 - 178.5*	20.0	16.2	14.5	13.2	11.2	9.4	8.0	6.9	6.0	5.1
RNTA 25658 - 250	300 - 91*	11.9	9.5	8.6	7.6	6.1	5.2	4.3	3.6	3.2	2.6
RNTA 30658 - 250	252 - 60*	7.2	5.5	4.8	4.3	3.4	2.6	2.1	1.6	1.3	0.8

EPA INFORMATION (ft²)
(per 2020 FL Building Code)

Cat. No.	Weight Capacity Maximum (Lbs.)	120 MPH	130 MPH	140 MPH	150 MPH	160 MPH	170 MPH	180 MPH
RNTA 84 - 125	294 - 112*	8.4	7.1	5.7	4.7	4.3	3.7	3.2
RNTA 104 - 125	203 - 66.5*	5.8	4.7	4.0	3.1	2.7	2.3	1.9
RNTA 124 - 125	150.5 - 60*	4.3	3.2	2.6	2.0	1.5	1.4	1.1
RNTA 144 - 125	105 - 60*	3.0	1.8	1.3	1.0	0.8	0.7	0.5
RNTA 105 - 125	300 - 147*	10.1	8.8	7.4	6.5	5.3	4.8	4.2
RNTA 125 - 125	262.5 - 105*	7.5	6.6	5.5	4.6	3.9	3.6	3.0
RNTA 145 - 125	203 - 73.5*	5.8	4.8	4.0	3.3	3.0	2.3	2.1
RNTA 145 - 188	300 - 133*	9.5	8.5	7.1	5.8	5.4	4.2	3.8
RNTA 165 - 125	136.5 - 60*	3.9	2.9	2.5	2.0	1.6	1.3	1.2
RNTA 165 - 188	241.5 - 94.5*	6.9	6.0	4.8	4.1	3.5	2.9	2.7
RNTA 185 - 125	84 - 60*	2.4	1.8	1.5	1.1	0.8	0.6	0.4
RNTA 185 - 188	189 - 66.5*	5.4	4.3	3.7	3.2	2.4	2.1	1.9
RNTA 205 - 188	140 - 60*	4.0	3.1	2.5	2.0	1.5	1.2	1.1
RNTA 206 - 188	287 - 108.5*	8.2	6.8	5.6	4.6	4.2	3.6	3.1
RNTA 206 - 250	300 - 147*	10.6	8.9	7.3	6.4	5.4	4.5	4.2
RNTA 256 - 188	136.5 - 60*	3.9	3.2	2.7	2.4	2.2	1.8	1.4
RNTA 256 - 250	220.5 - 84*	6.3	5.4	4.5	3.6	3.3	2.9	2.4
RNTA 306 - 188	94.5 - 60*	2.7	2.4	2.2	1.7	1.4	1.1	0.6
RNTA 306 - 250	171.5 - 66.5*	4.9	4.5	3.8	3.3	2.8	2.3	1.9
RNTA 20658 - 250	300 - 168*	12.6	10.4	8.9	7.6	6.7	5.7	4.8
RNTA 25658 - 250	245 - 80.5*	7.0	5.7	4.6	3.9	3.2	2.9	2.3
RNTA 30658 - 250	143.5 - 60*	4.1	3.2	2.4	1.9	1.5	1.2	0.7

* Please use the following to obtain the proper weight capacity: The maximum fixture weight equals 60 lbs. or the product of 35 lbs. x the EPA value, whichever is greater, not to exceed 300 lbs. Example, EPA = 2.2 , weight = 35 lbs. x 2.2 EPA = 77 lbs.

Notes

- Specifier is responsible for correct pole selection. For proper pole choice, the specifier must consider the total EPA of fixtures, banners, arms, and any other accessories attached to pole assembly.
- U.S. Architectural discourages the attachment of unauthorized accessories; any such attachments will void the manufacturer's warranty.
- ALL EPAs are calculated for ground installations. For installations on bridges, buildings or other structures, the specifier must contact the factory or consult with a structural Engineer
- Unpredictable aerodynamic forces such as wind-induced vibrations are not included in wind velocity ratings or EPA ratings.
- Wind gust factors are considered in developing all EPA chart data.

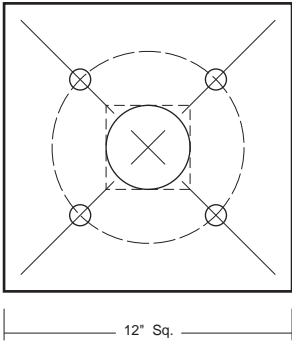
To mitigate 2nd Mode (Aeolian) Vibration please read the following Recommendations:

- We do not recommend the installation of poles without a fixture; such installations have been known to fail due to destructive 2nd mode pole vibration.
- Pole installations with a combined (fixtures, banners, flags, etc.) of less than 0.75 ft² EPA and 20 feet or taller will be provided with a vibration dampener.

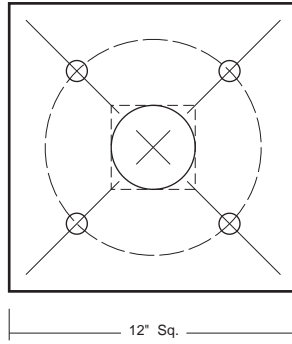
ANCHOR BOLT TEMPLATES

For printable versions of Templates: click on the Template's name, otherwise go to <https://usaltg.com/downloads/templates.html>.

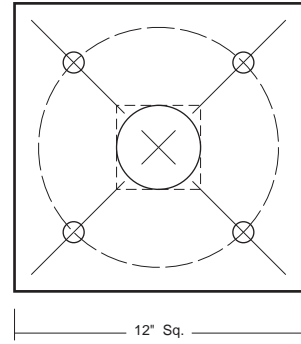
US8
8" Bolt Circle



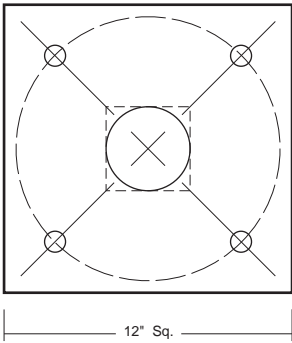
US9
9" Bolt Circle



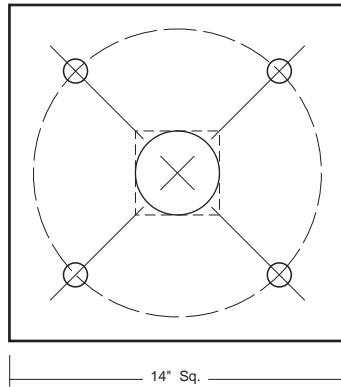
US10
10" Bolt Circle



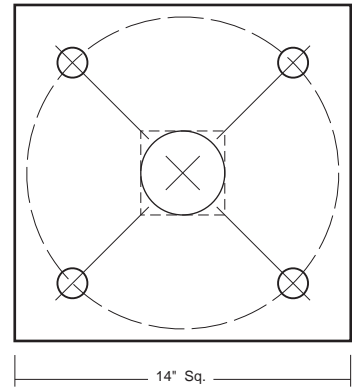
US11
11" Bolt Circle



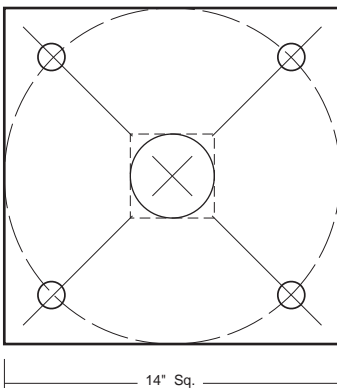
US12
12" Bolt Circle



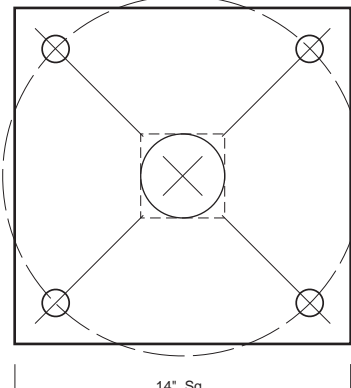
US13
13" Bolt Circle



US14
14" Bolt Circle



US15
15" Bolt Circle



US16
16" Bolt Circle

