

SQUARE NON-TAPERED STEEL POLE

# SNTS

### Shaft

Square, fabricated from high grade structural steel tube. Shaft conforms to ASTM-A-501-68 specifications. Meets or exceeds minimum yield strength of 46,000 P.S.I. wall thickness 11 GA. (.120 wall) or 7 GA. (.180 wall) as specified. Shaft is furnished with ground lug located inside pole on wall opposite hand hole.

### Drilling Side Mount

A removable pole cap is included. Pole will be drilled to match U.S. Architectural fixtures. For other Drilling required, please specify DP after specified drill pattern. (example: 2-180DP)

### Pole Top Mount

Standard pole top mount - PT27, fabricated from 2.5" (2.875" O.D.) steel pipe - tenon options available for pole tops please see Mounting column. For other pole top configurations please consult factory.

### Hand Hole Cover

All square Steel Poles - Supplied with reinforced steel 2 5/8" x 4 5/8" access opening. Hand Hole provided with rectangular 3"x5" stamped heavy gauge aluminum material, Sealed door is secured by a formed aluminum bar and a stainless steel, tamper proof screw.

### Base Plate

Fabricated from structural quality hot rolled steel. Meets or exceeds minimum yield strength of 36,000 P.S.I. Base telescopes and is circumferentially welded to pole shaft. Slotted bolt holes provide 1" flexibility on either side of bolt circle centerline.

### Anchorage

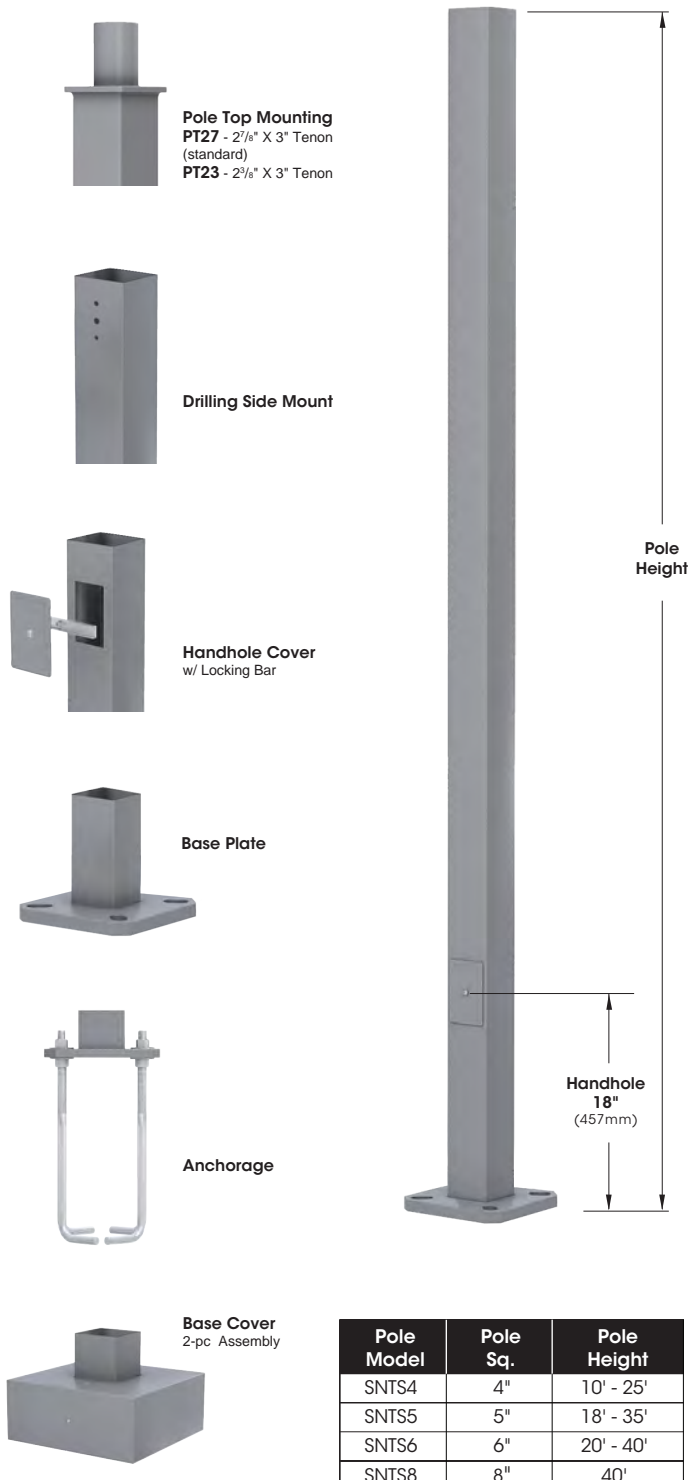
(4) anchor bolts fabricated from hot rolled steel bar. Minimum yield strength of 50,000 P.S.I. Bolts have "L" bend on one end and are threaded on the other. Bolts are fully galvanized and are furnished with two nuts and two washers.

### Base Cover

Fabricated from heavy wall aluminum construction. Two piece cover conceals base.

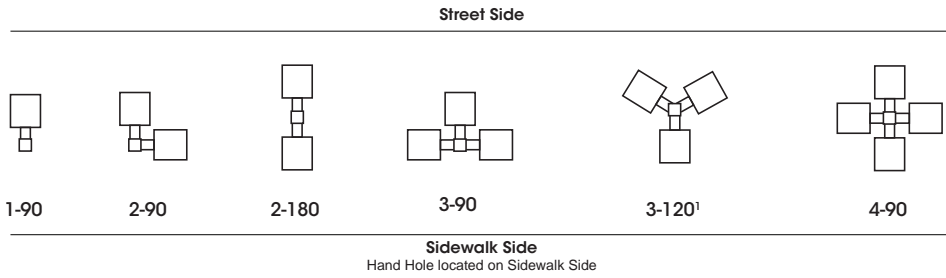
### Finish

Electrostatically applied TGIC Polyester Powder Coat on substrate prepared with 20 PSI power wash at 140°F. Four step media blast and iron phosphate pretreatment for protection and paint adhesion. 400°F bake for maximum hardness and durability.



Pole Model	Pole Sq.	Pole Height
SNTS4	4"	10' - 25'
SNTS5	5"	18' - 35'
SNTS6	6"	20' - 40'
SNTS8	8"	40'

## DRILLING SIDE MOUNT



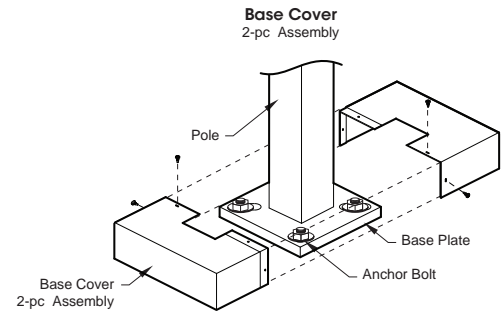
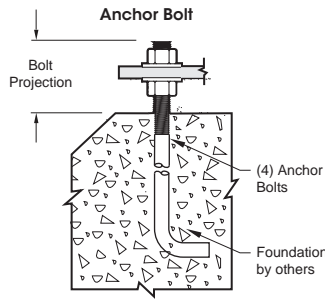
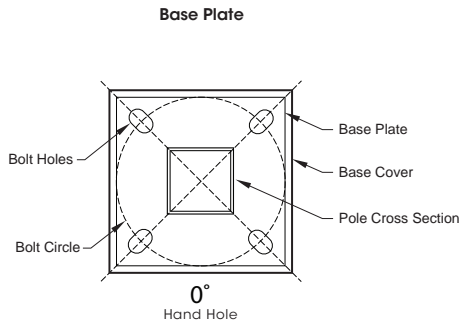
### Notes

1- Requires PT27 and T3120 adapter. (adaptor is rotatable)

When drilling pattern from other manufacturer's fixture is required, add "DP" to drill specifications. (Example: 2-180DP) **Drilling template must be provided.**

In the case of other manufacturer's drilling pattern, customer must provide drilling pattern.

## BOLT CIRCLE



Catalog Number	POLE							ANCHOR BOLTS				ANCHOR PLATE			
	Height		Bottom - Top				Wall Thickness (In/Ga)	Weight (Lbs)	Bolt Size	Bolt Projection above grade <sup>2,3</sup>	Bolt Circle Dia Range <sup>1</sup>	Bolt Circle Dia (In) (Rec.) <sup>1</sup>	Template	Base Plate	Cover
	Ft	M	In	Cm	In	Cm									
SNTS 104 - 11	10	3.05	4.00	4.00	10.16	10.16	11	86	3/4" x 18" x 3"	3 1/4" - 3 3/4"	8" - 11"	9"	US9	3/4" x 10" x 10"	5" x 12" x 12"
SNTS 124 - 11	12	3.66	4.00	4.00	10.16	10.16	11	99	3/4" x 18" x 3"	3 1/4" - 3 3/4"	8" - 11"	9"	US9	3/4" x 10" x 10"	5" x 12" x 12"
SNTS 144 - 11	14	4.27	4.00	4.00	10.16	10.16	11	112	3/4" x 18" x 3"	3 1/4" - 3 3/4"	8" - 11"	9"	US9	3/4" x 10" x 10"	5" x 12" x 12"
SNTS 154 - 11	15	4.57	4.00	4.00	10.16	10.16	11	118	3/4" x 18" x 3"	3 1/4" - 3 3/4"	8" - 11"	9"	US9	3/4" x 10" x 10"	5" x 12" x 12"
SNTS 164 - 11	16	4.88	4.00	4.00	10.16	10.16	11	124	3/4" x 18" x 3"	3 1/4" - 3 3/4"	8" - 11"	9"	US9	3/4" x 10" x 10"	5" x 12" x 12"
SNTS 184 - 11	18	5.49	4.00	4.00	10.16	10.16	11	137	3/4" x 18" x 3"	3 1/4" - 3 3/4"	8" - 11"	9"	US9	3/4" x 10" x 10"	5" x 12" x 12"
SNTS 204 - 11	20	6.10	4.00	4.00	10.16	10.16	11	150	3/4" x 24" x 3"	3 1/4" - 3 3/4"	8" - 11"	10"	US10	3/4" x 10" x 10"	5" x 12" x 12"
SNTS 204 - 7	20	6.10	4.00	4.00	10.16	10.16	7	210	3/4" x 30" x 3"	3 1/4" - 3 3/4"	8" - 11"	11"	US11	3/4" x 10" x 10"	5" x 12" x 12"
SNTS 254 - 11	25	7.62	4.00	4.00	10.16	10.16	11	181	3/4" x 24" x 3"	3 1/4" - 3 3/4"	8" - 11"	11"	US11	3/4" x 10" x 10"	5" x 12" x 12"
SNTS 254 - 7	25	7.62	4.00	4.00	10.16	10.16	7	257	3/4" x 30" x 3"	3 1/4" - 3 3/4"	8" - 11"	11"	US11	3/4" x 10" x 10"	5" x 12" x 12"
SNTS 185 - 11	18	5.49	5.00	5.00	12.70	12.70	11	171	1" x 36" x 4"	4" - 4 1/2"	10 1/2" - 12 1/2"	12"	US12	1" x 11 1/2" x 11 1/2"	5" x 12" x 12"
SNTS 205 - 11	20	6.10	5.00	5.00	12.70	12.70	11	187	1" x 36" x 4"	4" - 4 1/2"	10 1/2" - 12 1/2"	12"	US12	1" x 11 1/2" x 11 1/2"	5" x 12" x 12"
SNTS 205 - 7	20	6.10	5.00	5.00	12.70	12.70	7	234	1" x 36" x 4"	4" - 4 1/2"	10 1/2" - 12 1/2"	12"	US12	1" x 11 1/2" x 11 1/2"	5" x 12" x 12"
SNTS 255 - 11	25	7.62	5.00	5.00	12.70	12.70	11	227	1" x 36" x 4"	4" - 4 1/2"	10 1/2" - 12 1/2"	12"	US12	1" x 11 1/2" x 11 1/2"	5" x 12" x 12"
SNTS 255 - 7	25	7.62	5.00	5.00	12.70	12.70	7	323	1" x 36" x 4"	4" - 4 1/2"	10 1/2" - 12 1/2"	12"	US12	1" x 11 1/2" x 11 1/2"	5" x 12" x 12"
SNTS 305 - 11	30	9.15	5.00	5.00	12.70	12.70	11	267	1" x 36" x 4"	4" - 4 1/2"	10 1/2" - 12 1/2"	12"	US12	1" x 11 1/2" x 11 1/2"	5" x 12" x 12"
SNTS 305 - 7	30	9.15	5.00	5.00	12.70	12.70	7	382	1" x 36" x 4"	4" - 4 1/2"	10 1/2" - 12 1/2"	12"	US12	1" x 11 1/2" x 11 1/2"	5" x 12" x 12"
SNTS 355 - 7	35	10.67	5.00	5.00	12.70	12.70	7	441	1" x 36" x 4"	4" - 4 1/2"	10 1/2" - 12 1/2"	12"	US12	1" x 11 1/2" x 11 1/2"	5" x 12" x 12"
SNTS 206 - 7	20	6.10	6.00	6.00	15.24	15.24	7	322	1" x 36" x 4"	4" - 4 1/2"	11 1/2" - 14 1/2"	12"	US12	1" x 13 1/2" x 13 1/2"	5" x 14" x 14"
SNTS 256 - 7	25	7.62	6.00	6.00	15.24	15.24	7	393	1" x 36" x 4"	4" - 4 1/2"	11 1/2" - 14 1/2"	12"	US12	1" x 13 1/2" x 13 1/2"	5" x 14" x 14"
SNTS 306 - 7	30	9.15	6.00	6.00	15.24	15.24	7	464	1" x 36" x 4"	4" - 4 1/2"	11 1/2" - 14 1/2"	12"	US12	1" x 13 1/2" x 13 1/2"	5" x 14" x 14"
SNTS 356 - 7	35	10.67	6.00	6.00	15.24	15.24	7	535	1" x 36" x 4"	4" - 4 1/2"	11 1/2" - 14 1/2"	14"	US14	1" x 13 1/2" x 13 1/2"	5" x 14" x 14"
SNTS 406 - 7	40	12.20	6.00	6.00	15.24	15.24	7	607	1" x 36" x 4"	4" - 4 1/2"	11 1/2" - 14 1/2"	14"	US14	1" x 13 1/2" x 13 1/2"	5" x 14" x 14"
SNTS 408 - 7	40	12.20	8.00	8.00	20.32	20.32	7	786	1 1/2" x 54" x 6"	4 3/4" - 5 1/2"	14" - 16"	16"	US16	1 1/2" x 16" x 16"	5" x 17" x 17"

1 - Not using correct bolt size or "(REC.) Recommended" Bolt Circle could result in Pole's failure.

2 - Bolt Projection is calculated for slopes with 3 degrees or less.

3 - For slopes greater than 3 degrees, please add Bolt Length Projection as necessary.

## ORDERING INFORMATION

Spec/Order Example: SNTS144-11/2-90/RAL-6005-T

Pole Model Number	Mounting	Finish	Options																																																																																	
<p><b>Pole Model Number</b></p> <p><b>4" Pole Sq.</b></p> <table border="1"> <thead> <tr> <th>Pole Model Number</th> <th>Pole Height</th> <th>Wall Thickness</th> </tr> </thead> <tbody> <tr><td><input type="checkbox"/> SNTS 104 - 11</td><td>10'</td><td>11</td></tr> <tr><td><input type="checkbox"/> SNTS 124 - 11</td><td>12'</td><td>11</td></tr> <tr><td><input type="checkbox"/> SNTS 144 - 11</td><td>14'</td><td>11</td></tr> <tr><td><input type="checkbox"/> SNTS 154 - 11</td><td>15'</td><td>11</td></tr> <tr><td><input type="checkbox"/> SNTS 164 - 11</td><td>16'</td><td>11</td></tr> <tr><td><input type="checkbox"/> SNTS 184 - 11</td><td>18'</td><td>11</td></tr> <tr><td><input type="checkbox"/> SNTS 204 - 11</td><td>20'</td><td>11</td></tr> <tr><td><input type="checkbox"/> SNTS 204 - 7</td><td>20'</td><td>7</td></tr> <tr><td><input type="checkbox"/> SNTS 254 - 11</td><td>25'</td><td>11</td></tr> <tr><td><input type="checkbox"/> SNTS 254 - 7</td><td>25'</td><td>7</td></tr> </tbody> </table> <p><b>5" Pole Sq.</b></p> <table border="1"> <thead> <tr> <th>Pole Model Number</th> <th>Pole Height</th> <th>Wall Thickness</th> </tr> </thead> <tbody> <tr><td><input type="checkbox"/> SNTS 185 - 11</td><td>18'</td><td>11</td></tr> <tr><td><input type="checkbox"/> SNTS 205 - 11</td><td>20'</td><td>11</td></tr> <tr><td><input type="checkbox"/> SNTS 205 - 7</td><td>20'</td><td>7</td></tr> <tr><td><input type="checkbox"/> SNTS 255 - 11</td><td>25'</td><td>11</td></tr> <tr><td><input type="checkbox"/> SNTS 255 - 7</td><td>25'</td><td>7</td></tr> <tr><td><input type="checkbox"/> SNTS 305 - 11</td><td>30'</td><td>11</td></tr> <tr><td><input type="checkbox"/> SNTS 305 - 7</td><td>30'</td><td>7</td></tr> </tbody> </table> <p><b>6" Pole Sq.</b></p> <table border="1"> <thead> <tr> <th>Pole Model Number</th> <th>Pole Height</th> <th>Wall Thickness</th> </tr> </thead> <tbody> <tr><td><input type="checkbox"/> SNTS 206 - 7</td><td>20'</td><td>7</td></tr> <tr><td><input type="checkbox"/> SNTS 256 - 7</td><td>25'</td><td>7</td></tr> <tr><td><input type="checkbox"/> SNTS 306 - 7</td><td>30'</td><td>7</td></tr> <tr><td><input type="checkbox"/> SNTS 356 - 7</td><td>35'</td><td>7</td></tr> <tr><td><input type="checkbox"/> SNTS 406 - 7</td><td>40'</td><td>7</td></tr> </tbody> </table> <p><b>8" Pole Sq.</b></p> <table border="1"> <thead> <tr> <th>Pole Model Number</th> <th>Pole Height</th> <th>Wall Thickness</th> </tr> </thead> <tbody> <tr><td><input type="checkbox"/> SNTS 408 - 7</td><td>40'</td><td>7</td></tr> </tbody> </table> <p>Other heights available Please consult factory</p>	Pole Model Number	Pole Height	Wall Thickness	<input type="checkbox"/> SNTS 104 - 11	10'	11	<input type="checkbox"/> SNTS 124 - 11	12'	11	<input type="checkbox"/> SNTS 144 - 11	14'	11	<input type="checkbox"/> SNTS 154 - 11	15'	11	<input type="checkbox"/> SNTS 164 - 11	16'	11	<input type="checkbox"/> SNTS 184 - 11	18'	11	<input type="checkbox"/> SNTS 204 - 11	20'	11	<input type="checkbox"/> SNTS 204 - 7	20'	7	<input type="checkbox"/> SNTS 254 - 11	25'	11	<input type="checkbox"/> SNTS 254 - 7	25'	7	Pole Model Number	Pole Height	Wall Thickness	<input type="checkbox"/> SNTS 185 - 11	18'	11	<input type="checkbox"/> SNTS 205 - 11	20'	11	<input type="checkbox"/> SNTS 205 - 7	20'	7	<input type="checkbox"/> SNTS 255 - 11	25'	11	<input type="checkbox"/> SNTS 255 - 7	25'	7	<input type="checkbox"/> SNTS 305 - 11	30'	11	<input type="checkbox"/> SNTS 305 - 7	30'	7	Pole Model Number	Pole Height	Wall Thickness	<input type="checkbox"/> SNTS 206 - 7	20'	7	<input type="checkbox"/> SNTS 256 - 7	25'	7	<input type="checkbox"/> SNTS 306 - 7	30'	7	<input type="checkbox"/> SNTS 356 - 7	35'	7	<input type="checkbox"/> SNTS 406 - 7	40'	7	Pole Model Number	Pole Height	Wall Thickness	<input type="checkbox"/> SNTS 408 - 7	40'	7	<p><b>Mounting</b></p> <p><b>Tenon Mount</b></p> <p><input type="checkbox"/> 2<sup>7</sup>/<sub>8</sub>" X 3" Tenon <b>PT27</b> (Standard)</p> <p><input type="checkbox"/> 2<sup>3</sup>/<sub>8</sub>" X 3" Tenon <b>PT23</b></p> <p><input type="checkbox"/> 2<sup>7</sup>/<sub>8</sub>" X 6" Tenon <b>PT276</b></p> <p><input type="checkbox"/> Other Tenon Mt _____</p> <p><b>Drill Mount</b></p> <p><input type="checkbox"/> 1-90 ..... </p> <p><input type="checkbox"/> 2-180 ..... </p> <p><input type="checkbox"/> 2-90 ..... </p> <p><input type="checkbox"/> 3-90 ..... </p> <p><input type="checkbox"/> 4-90 ..... </p> <p><input type="checkbox"/> 3-120 ..... </p> <p>3-120 requires PT27 and T3120 Adapter</p> <p>2-90, 3-90, 4-90 requires PT27 and T490 Adapter</p> <p>When Drilling Pattern from other manufacturer is required, add "DP" to drill specifications (Example: 2-180DP) <b>Drilling template must be provided.</b></p>	<p><b>Finish</b></p> <p><b>Standard Smooth Finish</b></p> <p><input type="checkbox"/> Black <b>RAL-9005-S</b></p> <p><input type="checkbox"/> White <b>RAL-9003-S</b></p> <p><input type="checkbox"/> Grey <b>RAL-7004-S</b></p> <p><input type="checkbox"/> Dark Bronze <b>RAL-8019-S</b></p> <p><input type="checkbox"/> Green <b>RAL-6005-S</b></p> <p><b>Premium Finishes</b></p> <p><input type="checkbox"/> Rust</p> <p><input type="checkbox"/> Patina Copper <b>PC</b></p> <p><input type="checkbox"/> Custom Specify RAL# _____</p> <p><input type="checkbox"/> Galvanized <b>GLV</b></p> <p>For Textured Finish replace suffix "S" with suffix "T" Example: RAL-9005-T</p> <p>See USALTG.COM for additional colors</p>	<p><b>Options</b></p> <p><input type="checkbox"/> Vibration Dampener 2nd Mode Field Install <b>VBDS-M2</b></p> <p><b>Receptacle</b></p> <p><input type="checkbox"/> G.F.I. Receptacle w/ Cover <b>GFI</b></p> <p><input type="checkbox"/> G.F.I. Receptacle w/ In-Use Cover <b>GFH-U</b> [Specify GFI location: Height and Direction] See Location Diagram below</p> <p><input type="checkbox"/> 3 Way Adapter <b>T3120</b></p> <p><input type="checkbox"/> 4 Way Adapter <b>T490</b></p> <p><b>Coupling</b></p> <p><input type="checkbox"/> 1/2" Coupling <b>CPLN12</b></p> <p><input type="checkbox"/> 3/4" Coupling <b>CPLN34</b></p> <p><input type="checkbox"/> 1 1/4" Coupling <b>CPLN114</b></p> <p><input type="checkbox"/> 1 1/2" Coupling <b>CPLN112</b></p> <p><input type="checkbox"/> 2" Coupling <b>CPLN2</b> [Specify Coupling location: Height and Direction] See Location Diagram below</p> <p><b>Nipple</b></p> <p><input type="checkbox"/> 1/2" Nipple <b>NPLE12</b></p> <p><input type="checkbox"/> 3/4" Nipple <b>NPLE34</b></p> <p><input type="checkbox"/> 1 1/4" Nipple <b>NPLE114</b></p> <p><input type="checkbox"/> 1 1/2" Nipple <b>NPLE112</b></p> <p><input type="checkbox"/> 2" Nipple <b>NPLE2</b> [Specify Coupling location: Height and Direction] See Location Diagram below</p> <p><b>Location Diagram</b> Please use this diagram to indicate placement location</p> <p>Refer to the Accessories Section for other options</p>
Pole Model Number	Pole Height	Wall Thickness																																																																																		
<input type="checkbox"/> SNTS 104 - 11	10'	11																																																																																		
<input type="checkbox"/> SNTS 124 - 11	12'	11																																																																																		
<input type="checkbox"/> SNTS 144 - 11	14'	11																																																																																		
<input type="checkbox"/> SNTS 154 - 11	15'	11																																																																																		
<input type="checkbox"/> SNTS 164 - 11	16'	11																																																																																		
<input type="checkbox"/> SNTS 184 - 11	18'	11																																																																																		
<input type="checkbox"/> SNTS 204 - 11	20'	11																																																																																		
<input type="checkbox"/> SNTS 204 - 7	20'	7																																																																																		
<input type="checkbox"/> SNTS 254 - 11	25'	11																																																																																		
<input type="checkbox"/> SNTS 254 - 7	25'	7																																																																																		
Pole Model Number	Pole Height	Wall Thickness																																																																																		
<input type="checkbox"/> SNTS 185 - 11	18'	11																																																																																		
<input type="checkbox"/> SNTS 205 - 11	20'	11																																																																																		
<input type="checkbox"/> SNTS 205 - 7	20'	7																																																																																		
<input type="checkbox"/> SNTS 255 - 11	25'	11																																																																																		
<input type="checkbox"/> SNTS 255 - 7	25'	7																																																																																		
<input type="checkbox"/> SNTS 305 - 11	30'	11																																																																																		
<input type="checkbox"/> SNTS 305 - 7	30'	7																																																																																		
Pole Model Number	Pole Height	Wall Thickness																																																																																		
<input type="checkbox"/> SNTS 206 - 7	20'	7																																																																																		
<input type="checkbox"/> SNTS 256 - 7	25'	7																																																																																		
<input type="checkbox"/> SNTS 306 - 7	30'	7																																																																																		
<input type="checkbox"/> SNTS 356 - 7	35'	7																																																																																		
<input type="checkbox"/> SNTS 406 - 7	40'	7																																																																																		
Pole Model Number	Pole Height	Wall Thickness																																																																																		
<input type="checkbox"/> SNTS 408 - 7	40'	7																																																																																		

## OPTIONS



**GFI**  
Duplex GFI w/ Cover



**GFH-U**  
Duplex GFI w/ In-Use Cover



**T3120**  
3 Way Adapter



**T490**  
4 Way Adapter

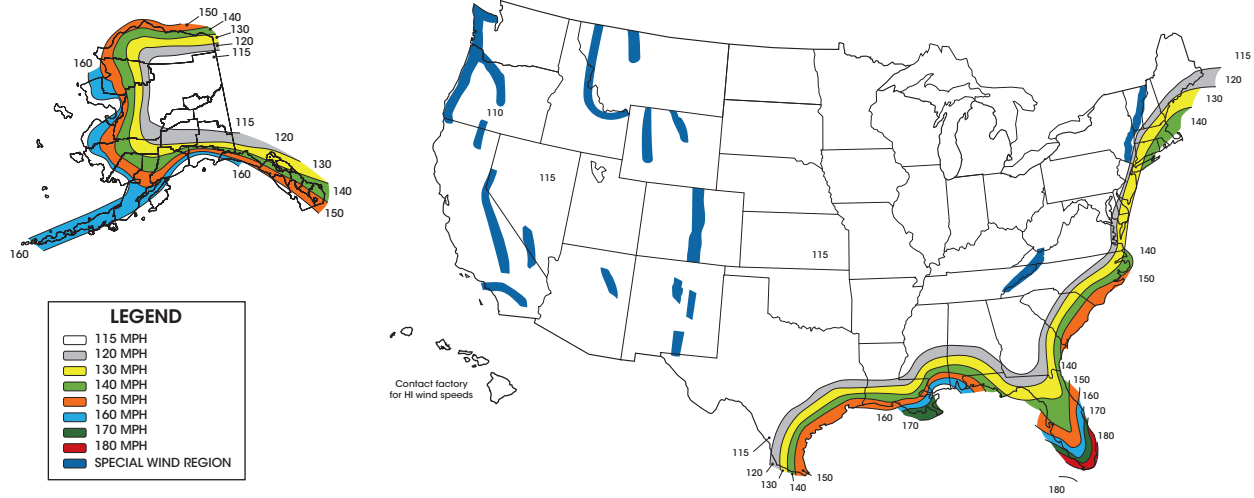


**CPLN**  
1/2", 3/4", 1 1/4", 1 1/2", or 2" Coupling



**NPLE**  
1/2", 3/4", 1 1/4", 1 1/2", or 2" Nipple

**WIND MAP**



**EPA INFORMATION (ft<sup>2</sup>)**  
(per AASHTO LRFDLTS-1 revised 2022)

Cat. No.	Weight Capacity Maximum (Lbs.)	100 MPH	110 MPH	115 MPH	120 MPH	130 MPH	140 MPH	150 MPH	160 MPH	170 MPH	180 MPH
SNTS 104-11	300 - 287*	15.0	15.0	15.0	15.0	15.0	15.0	13.0	10.8	9.5	8.2
SNTS 124-11	300 - 199.5*	15.0	15.0	15.0	15.0	13.9	11.7	9.5	7.9	6.5	5.7
SNTS 144-11	300 - 189*	15.0	15.0	15.0	15.0	14.2	11.4	9.8	8.2	6.8	5.4
SNTS 154-11	300 - 94.5*	15.0	15.0	13.7	11.9	9.7	7.5	5.9	4.7	3.9	2.7
SNTS 164-11	300 - 63*	15.0	12.8	11.4	9.8	8.0	6.0	4.6	3.8	2.8	1.8
SNTS 184-11	300 - 60*	13.2	10.0	9.0	7.6	6.0	4.4	3.2	2.2	1.4	0.4
SNTS 204-11	300 - 60*	12.6	9.4	8.4	7.2	5.0	3.8	2.6	1.6	0.8	0.0
SNTS 204-7	300 - 60*	14.4	11.2	9.8	8.2	6.4	4.8	3.4	2.0	1.4	0.4
SNTS 254-11	300 - 60*	15.0	11.4	8.2	5.6	4.2	3.6	1.8	0.8	0.0	0.0
SNTS 254-7	300 - 60*	15.0	14.0	10.4	8.6	7.0	5.6	4.4	3.3	2.2	1.2
SNTS 185-11	300 - 182*	15.0	15.0	15.0	15.0	15.0	12.8	10.0	8.0	6.6	5.2
SNTS 205-11	300 - 112*	15.0	15.0	15.0	15.0	12.6	9.8	7.8	6.0	4.2	3.2
SNTS 205-7	300 - 154*	15.0	15.0	15.0	15.0	14.8	12.0	9.2	7.2	5.8	4.4
SNTS 255-11	300 - 60*	15.0	11.6	9.8	8.6	6.0	3.6	2.0	1.0	0.0	0.0
SNTS 255-7	300 - 87.5*	15.0	14.2	12.2	10.2	7.6	10.4	7.4	5.4	3.8	2.5
SNTS 305-11	300 - 60*	9.7	6.1	4.9	3.3	1.5	0.0	0.0	0.0	0.0	0.0
SNTS 305-7	300 - 60*	12.0	8.5	7.0	6.3	5.6	4.7	2.9	1.1	0.2	0.0
SNTS 355-7	300 - 60*	9.0	7.5	6.0	5.3	4.8	3.8	2.0	0.4	0.0	0.0
SNTS 206-7	300 - 287*	15.0	15.0	15.0	15.0	15.0	15.0	15.0	12.0	9.6	8.2
SNTS 256-7	300 - 199.5*	12.4	12.0	11.7	11.4	11.0	10.5	10.1	8.3	6.8	5.7
SNTS 306-7	300 - 108.5*	9.8	9.0	8.3	7.7	6.9	6.0	5.1	4.6	4.0	3.1
SNTS 356-7	300 - 60*	8.9	8.0	7.1	6.8	6.0	5.1	4.0	3.1	1.7	1.0
SNTS 406-7	300 - 60*	11.6	9.1	7.2	5.8	2.8	0.0	0.0	0.0	0.0	0.0
SNTS 408-7	300 - 60*	12.0	10.2	9.0	7.9	6.2	5.1	4.2	1.0	0.0	0.0

**EPA INFORMATION (ft<sup>2</sup>)**  
(per 2020 FL Building Code)

Cat. No.	Weight Capacity Maximum (Lbs.)	120 MPH	130 MPH	140 MPH	150 MPH	160 MPH	170 MPH	180 MPH
SNTS 104-11	300 - 259*	15.0	14.2	12.9	11.7	9.7	8.6	7.4
SNTS 124-11	300 - 178.5*	11.4	10.3	9.4	8.6	7.1	5.9	5.1
SNTS 144-11	300 - 171.5*	11.7	10.7	9.7	8.8	7.4	6.1	4.9
SNTS 154-11	249 - 84*	7.1	6.4	5.8	5.3	4.2	3.5	2.4
SNTS 164-11	193 - 60*	5.5	5.0	4.6	4.1	3.4	2.5	1.6
SNTS 184-11	133 - 60*	3.8	3.5	3.2	2.9	2.0	1.3	0.4
SNTS 204-11	109 - 60*	3.1	2.8	2.6	2.3	1.4	0.7	0.0
SNTS 204-7	144 - 60*	4.1	3.7	3.4	3.1	1.8	1.3	1.0
SNTS 254-11	60	1.2	1.1	1.0	0.0	0.0	0.0	0.0
SNTS 254-7	60	1.3	1.2	1.1	1.0	0.4	0.0	0.0
SNTS 185-11	300 - 164.5*	12	10.9	9.9	9.0	7.2	5.9	4.7
SNTS 205-11	300 - 101.5*	9.3	8.5	7.7	7.0	5.4	3.8	2.9
SNTS 205-7	300 - 140*	11.0	10.0	9.1	8.3	6.5	5.2	4.0
SNTS 255-11	84 - 60*	2.4	2.2	2.0	1.8	0.9	0.0	0.0
SNTS 255-7	133 - 60*	3.8	3.5	3.2	2.9	2.3	1.6	1.0
SNTS 305-11	60	1.7	1.1	0.6	0.0	0.0	0.0	0.0
SNTS 305-7	87.5 - 60*	2.5	2.3	2.1	1.9	1.5	1.0	0.6
SNTS 355-7	60	1.3	1.2	1.1	1.0	0.6	0.0	0.0
SNTS 206-7	300 - 84*	9.0	8.2	7.4	6.8	5.0	3.7	2.4
SNTS 256-7	161 - 60*	4.6	4.2	3.8	3.5	2.8	1.9	1.2
SNTS 306-7	87.5 - 60*	2.5	2.3	2.1	1.9	1.4	0.9	0.0
SNTS 356-7	70 - 60*	2.0	1.8	1.7	1.5	0.6	0.0	0.0
SNTS 406-7	60	1.1	1.0	0.0	0.0	0.0	0.0	0.0
SNTS 408-7	112 - 60*	3.2	2.9	2.6	2.4	2.0	0.0	0.0

\* Please use the following to obtain the proper weight capacity: The maximum fixture weight equals 60 lbs. or the product of 35 lbs. x the EPA value, whichever is greater, not to exceed 300 lbs. Example, EPA = 2.2 , weight = 35 lbs. x 2.2 EPA = 77 lbs.

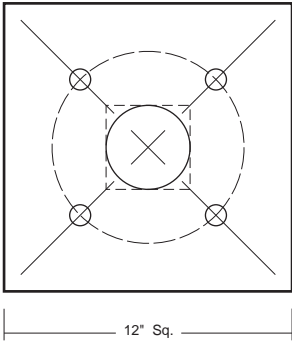
- Notes**
- Specifier is responsible for correct pole selection. For proper pole choice, the specifier must consider the total EPA of fixtures, banners, arms, and any other accessories attached to pole assembly.
  - U.S. Architectural discourages the attachment of unauthorized accessories; any such attachments will void the manufacturer's warranty.
  - ALL EPAs are calculated for ground installations. For installations on bridges, buildings or other structures, the specifier must contact the factory or consult with a structural Engineer
  - Unpredictable aerodynamic forces such as wind-induced vibrations are not included in wind velocity ratings or EPA ratings.
  - Wind gust factors are considered in developing all EPA chart data.

- To mitigate 2nd Mode (Aeolian) Vibration please read the following Recommendations:**
- We do not recommend the installation of poles without a fixture; such installation have been known to fail due to high pole vibrations. Replace with note 1 above
  - An internal vibration dampener will be provided for 4" square poles 25 ft. tall and above, for 5" square poles 30 ft tall and above, and for 6" square poles 35 ft tall and above.
  - Pole installations with a combined (fixtures, banners, flags, etc.) of less than 0.75 ft2 EPA and 25 feet or taller will be provided with a vibration dampener.

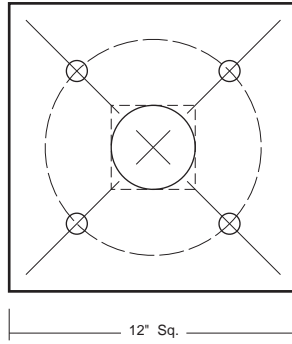
**ANCHOR BOLT TEMPLATES**

For printable versions of Templates: click on the Template's name, otherwise go to <https://usaltg.com/downloads/templates.html>.

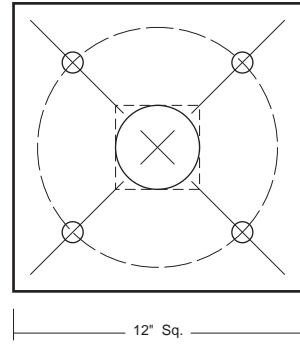
**US8**  
8" Bolt Circle



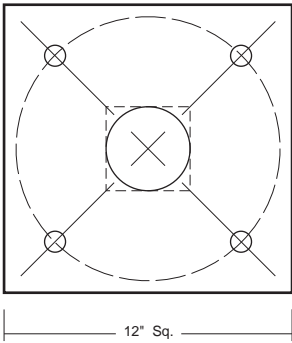
**US9**  
9" Bolt Circle



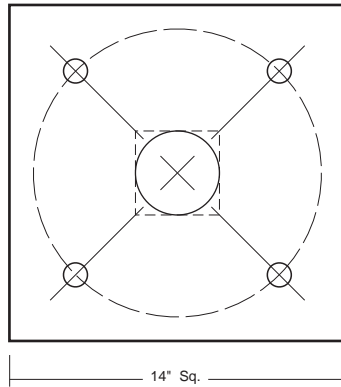
**US10**  
10" Bolt Circle



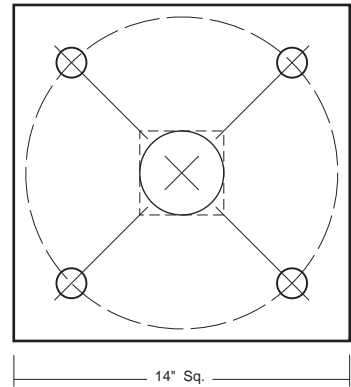
**US11**  
11" Bolt Circle



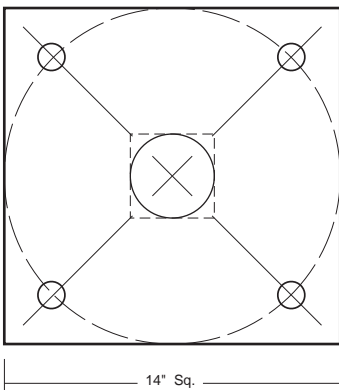
**US12**  
12" Bolt Circle



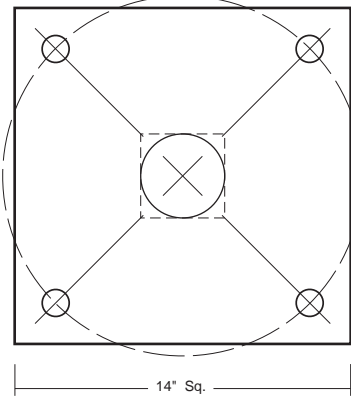
**US13**  
13" Bolt Circle



**US14**  
14" Bolt Circle



**US15**  
15" Bolt Circle



**US16**  
16" Bolt Circle

