



**BASE**

## **BASE**

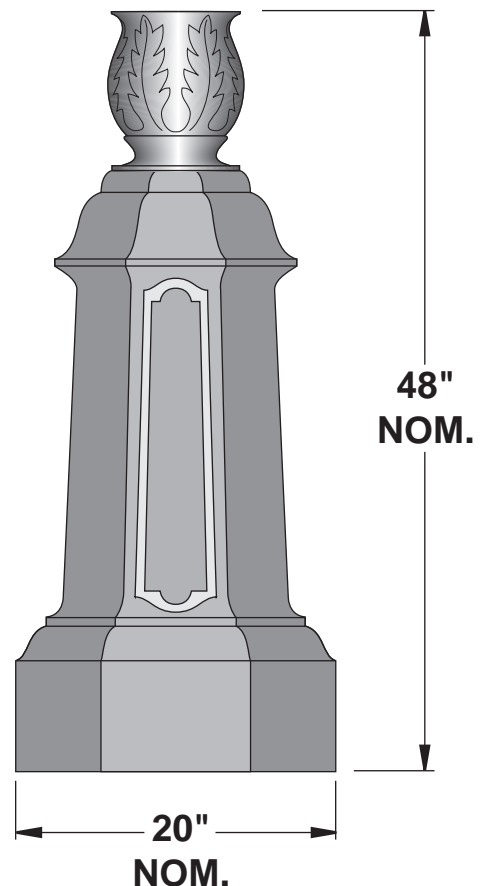
**TAPERED ONE PIECE CONSTRUCTION, TOPPED BY A DECORATIVE ROSETTE. BASE IS CONSTRUCTED OF DURABLE, CORROSION RESISTANT, CAST ALUMINUM A356 ALLOY. MINIMUM .285 WALL THICKNESS. BASE IS FURNISHED WITH LARGE HAND HOLE CONTOURED TO BASE DESIGN, HAND HOLE COVER SUPPLIED WITH TAMPER RESISTANT HARDWARE. GROUNDING LUG PROVIDED INSIDE BASE OPPOSITE HAND HOLE.**

## **ANCHORAGE**

**A 3/4" CAST ALUMINUM ANCHOR RING IS WELDED 1" ABOVE BOTTOM OF BASE TO ACCEPT (4) FULLY GALVANIZED ANCHOR BOLTS. EACH BOLT SUPPLIED WITH TWO NUTS AND TWO WASHERS. ANCHORAGE IS FASTENED THROUGH HAND HOLE.**

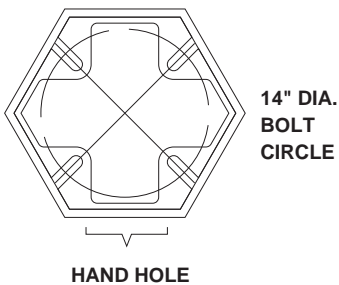
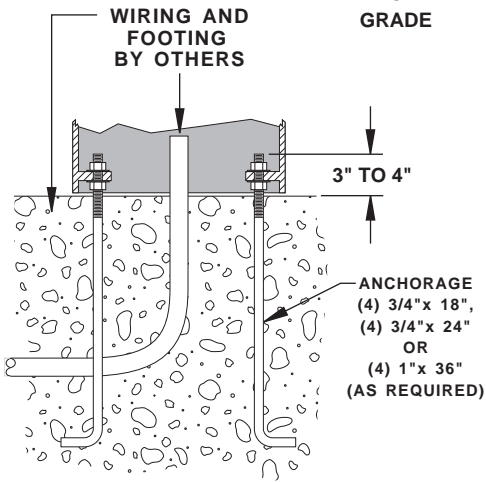
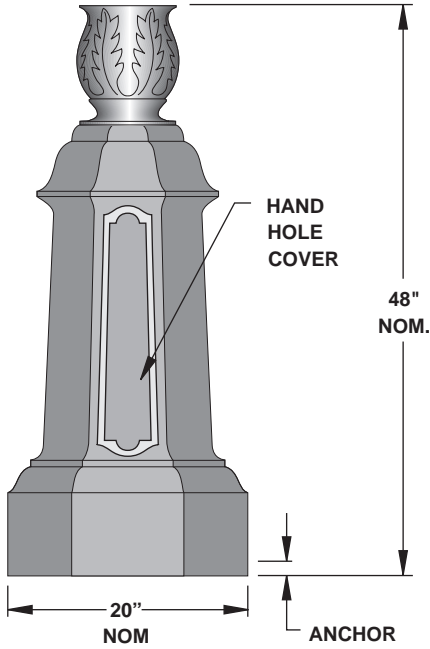
## **FINISH**

**ELECTROSTATICALLY APPLIED BAKED ON TEXTURED ACRYLIC ENAMEL. (SEE PAGE 5 FOR OPTIONAL FINISH AND COLOR SELECTION)**





BASE



SUGGESTED LUMINAIRES

		4
		3
		2
		1
		0
		4
		3
		2
		1
		0
		4
		3
		2
		1
		0
		FT.

SEE LUMINAIRE SECTION FOR ADDITIONAL STYLES