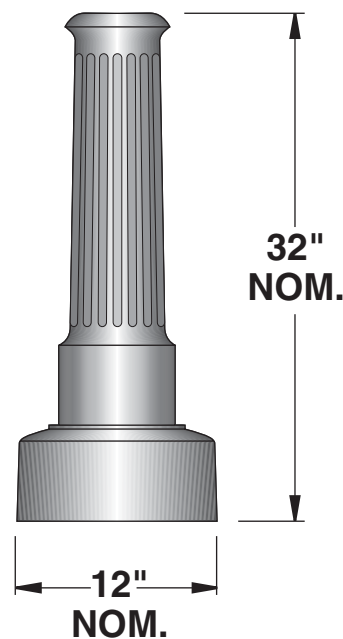


BASE

ONE PIECE CORROSION RESISTANT, DURABLE CAST ALUMINUM CONSTRUCTION. MINIMUM .220 WALL THICKNESS. BASE CONSISTS OF A SMOOTH, STEPPED BOTTOM SECTION WITH FLUSH HAND HOLE AND A DECORATIVE TAPERED FLUTED SECTION CONSISTING OF EVENLY SPACED, HIGHLY DETAILED RAISED VERTICAL FLUTES. HAND HOLE COVER SUPPLIED WITH TAMPER RESISTANT HARDWARE. GROUNDING LUG PROVIDED INSIDE BASE OPPOSITE HAND HOLE.

ANCHORAGE

A 3/4" CAST ALUMINUM ANCHOR RING IS WELDED 1" ABOVE BOTTOM OF BASE TO ACCEPT (4) FULLY GALVANIZED ANCHOR BOLTS. EACH BOLT SUPPLIED WITH TWO NUTS AND TWO WASHERS. ANCHORAGE IS FASTENED THROUGH HAND HOLE.

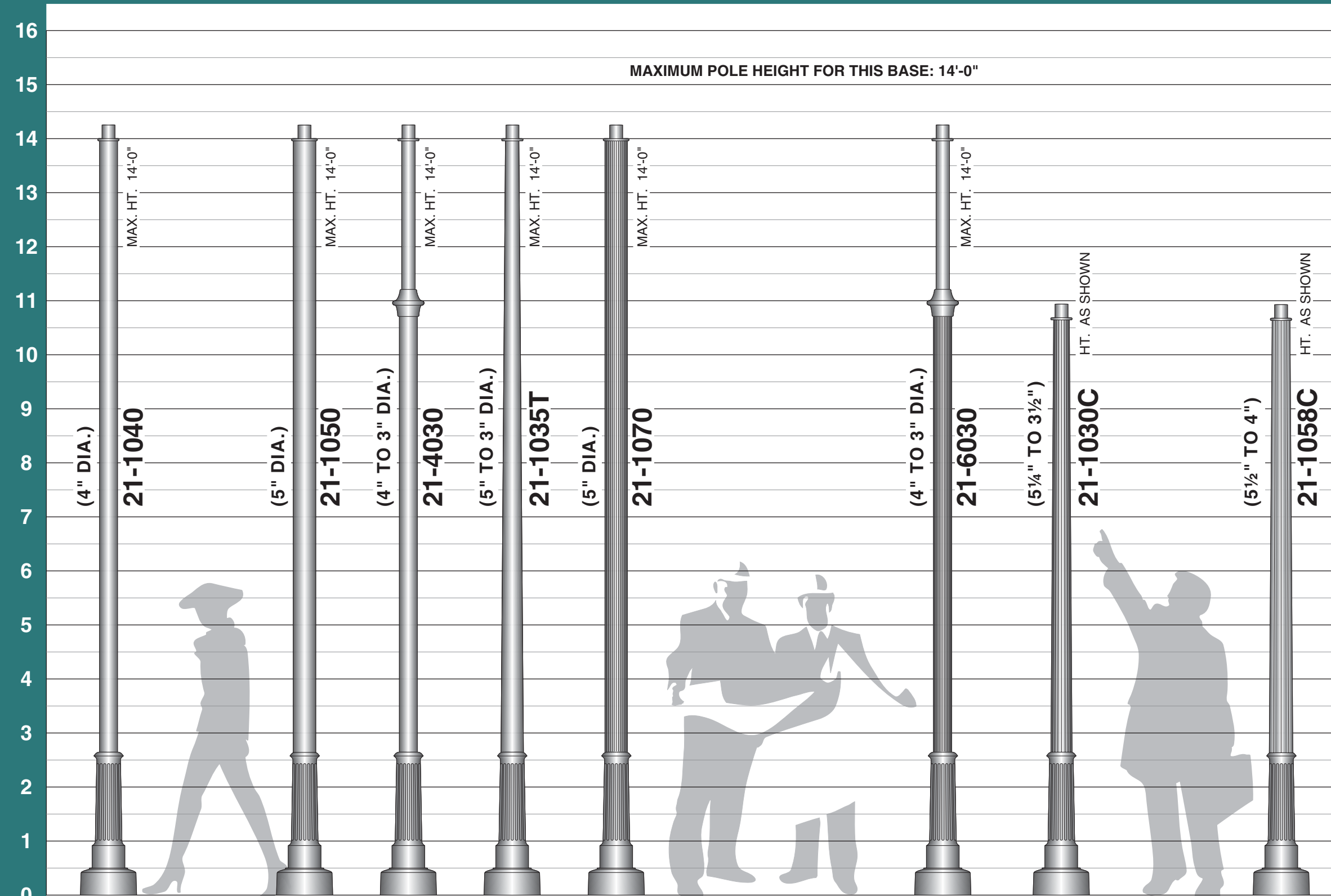


FINISH

ELECTROSTATICALLY APPLIED BAKED ON TEXTURED ACRYLIC ENAMEL. (SEE PAGE 5 FOR OPTIONAL FINISH AND COLOR SELECTION)

2100 BASE

POLE ACCESSORIES (SPECIFY AS SUFFIX TO CAT. NO.)



SHAFT IS CIRCUMFERENTIALLY WELDED TO BASE FOR ONE PIECE CONSTRUCTION
SEE SHAFT SECTION FOR SPECIFICATIONS AND ADDITIONAL STYLES

- TENONS**
- STANDARD: 2 7/8" O.D. PT23
- OPTIONS: 2 3/8" O.D. PT31
- 3 1/2" O.D.
- DUPLEX OR G.F.I. RECEPTACLE WITH COVER DUP GFI
- FIELD ROTATABLE OR FIXED BANNER ARM RBA
- FBA
- BANNER EYE BOLT BEB
- BREAK AWAY BANNER ARM BBA
- FIELD ROTATABLE OR FIXED BASKET HOLDER RBH
- FBH
- FIELD ROTATABLE STREET SIGN RSS
- FIELD ROTATABLE LADDER REST RLR
- 20"
- 1 3/8" I.D.
- FIELD ROTATABLE OR FIXED FLAG HOLDER RFH
- FFH

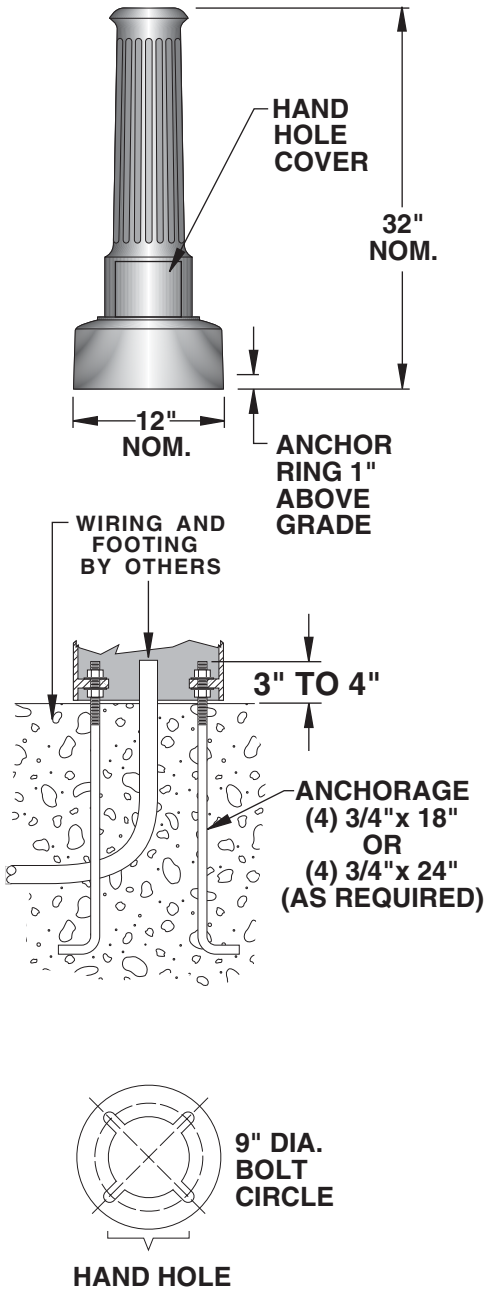


sun valley
LIGHTING

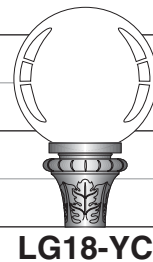
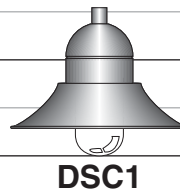
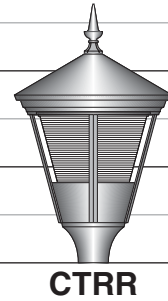
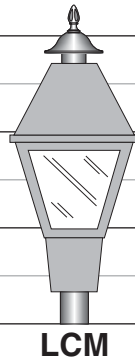
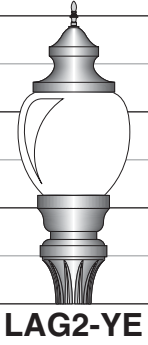
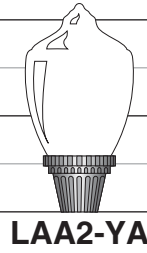
660 WEST AVENUE O, PALMDALE, CA 93551
(661) 233-2000
FAX (661) 233-2001
www.sunvalleylighting.com

2100 BASE

SUGGESTED LUMINAIRES



			4
			3
			2
			1
			0
			4
			3
			2
			1
			0
			4
			3
			2
			1
			0
			FT.



SEE LUMINAIRE SECTION FOR ADDITIONAL STYLES