

BASE

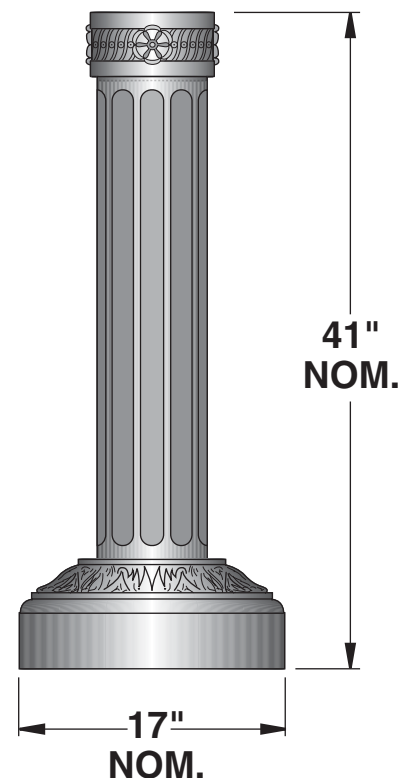
ONE PIECE CORROSION RESISTANT, DURABLE CAST ALUMINUM CONSTRUCTION. MINIMUM .225 WALL THICKNESS. BASE CONSISTS OF A SMOOTH BOTTOM SECTION, AND A FLUTED TOP SECTION WITH A DECORATIVE COLLAR. BASE IS FURNISHED WITH A CONTOURED HAND HOLE AND COVER. HAND HOLE COVER SUPPLIED WITH TAMPER RESISTANT HARDWARE. GROUNDING LUG PROVIDED INSIDE BASE OPPOSITE HAND HOLE.

ANCHORAGE

A 3/4" CAST ALUMINUM ANCHOR RING IS WELDED 1" ABOVE BOTTOM OF BASE TO ACCEPT (4) FULLY GALVANIZED ANCHOR BOLTS. EACH BOLT SUPPLIED WITH TWO NUTS AND TWO WASHERS. ANCHORAGE IS FASTENED THROUGH HAND HOLE.

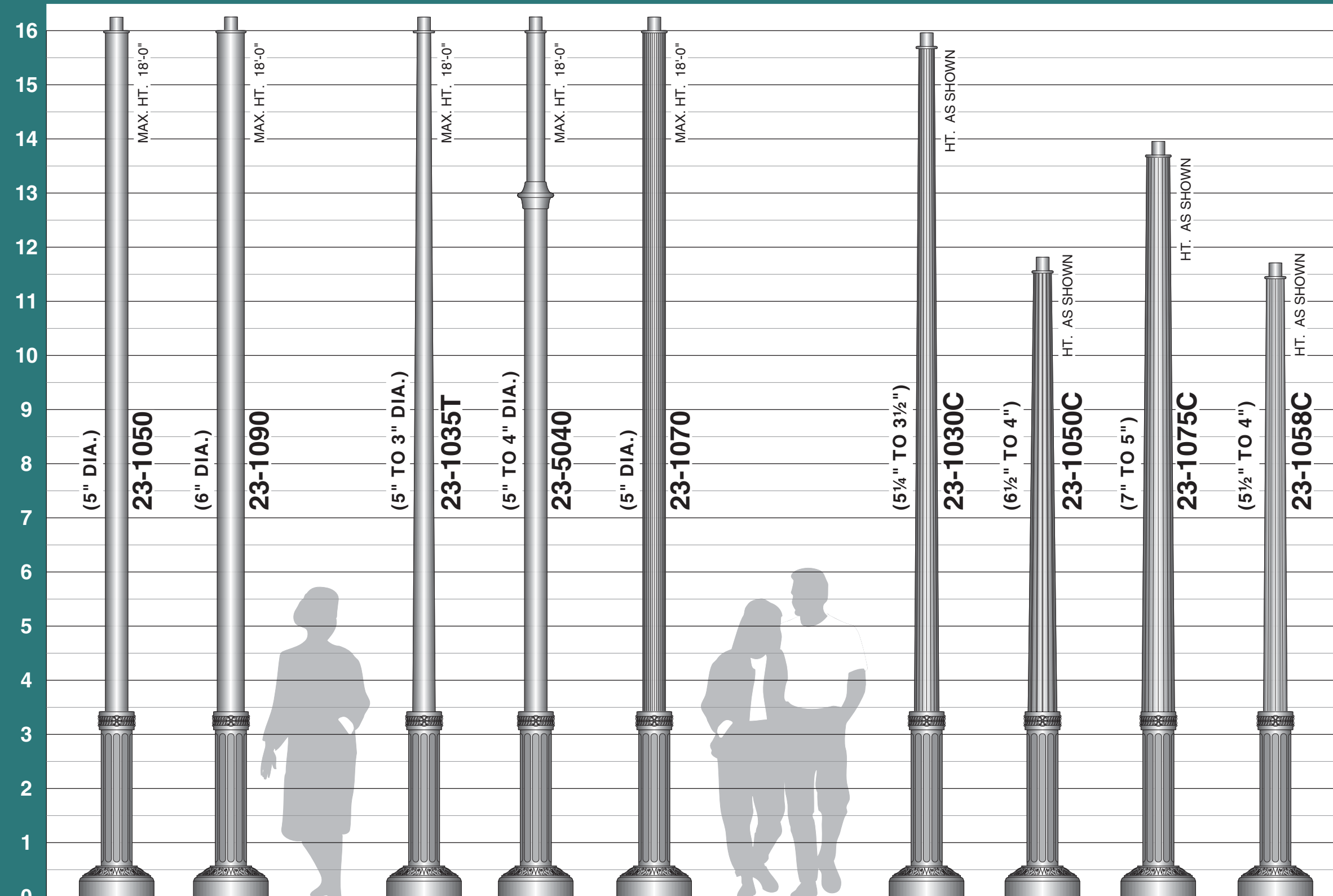
FINISH

ELECTROSTATICALLY APPLIED BAKED ON TEXTURED ACRYLIC ENAMEL. (SEE PAGE 5 FOR OPTIONAL FINISH AND COLOR SELECTION)



2300 BASE

POLE ACCESSORIES (SPECIFY AS SUFFIX TO CAT. NO.)



SHAFT IS CIRCUMFERENTIALLY WELDED TO BASE FOR ONE PIECE CONSTRUCTION
SEE SHAFT SECTION FOR SPECIFICATIONS AND ADDITIONAL STYLES

- TENONS**
- STANDARD: 2 7/8" O.D.
 - OPTIONS: 2 3/8" O.D.
 - 3 1/2" O.D.
- PT23
 - PT31
 - DUP OR G.F.I. RECEPTACLE WITH COVER
 - DUP
 - GFI
 - FIELD ROTATABLE OR FIXED BANNER ARM
 - RBA
 - FBA
 - BANNER EYE BOLT
 - BEB
 - BREAK AWAY BANNER ARM
 - BBA
 - FIELD ROTATABLE OR FIXED BASKET HOLDER
 - RBH
 - FBH
 - FIELD ROTATABLE STREET SIGN
 - RSS
 - FIELD ROTATABLE LADDER REST
 - RLR
 - 20"
 - 1 3/8" I.D.
 - FIELD ROTATABLE OR FIXED FLAG HOLDER
 - RFH
 - FFH

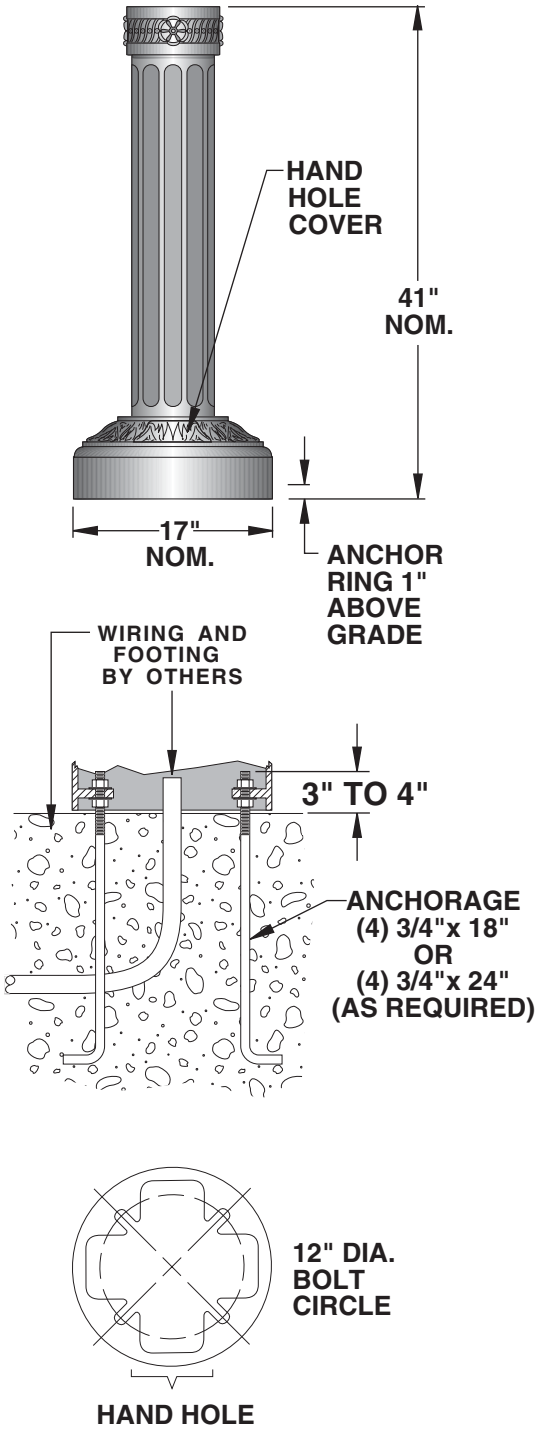


sun valley
LIGHTING

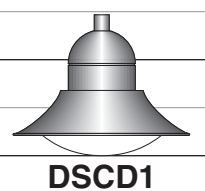
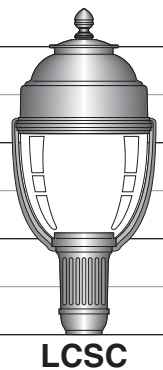
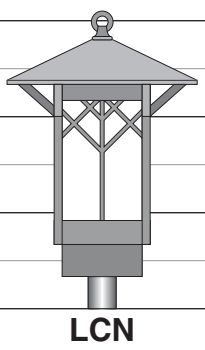
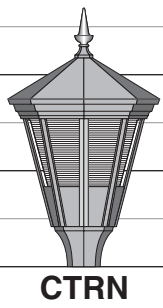
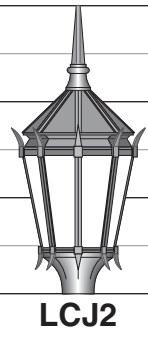
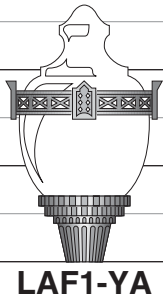
660 WEST AVENUE O, PALMDALE, CA 93551
(661) 233-2000
FAX (661) 233-2001
www.sunvalleylighting.com

2300 BASE

SUGGESTED LUMINAIRES



		4
		3
		2
		1
		0
		4
		3
		2
		1
		0
		4
		3
		2
		1
		0
		FT.



SEE LUMINAIRE SECTION FOR ADDITIONAL STYLES