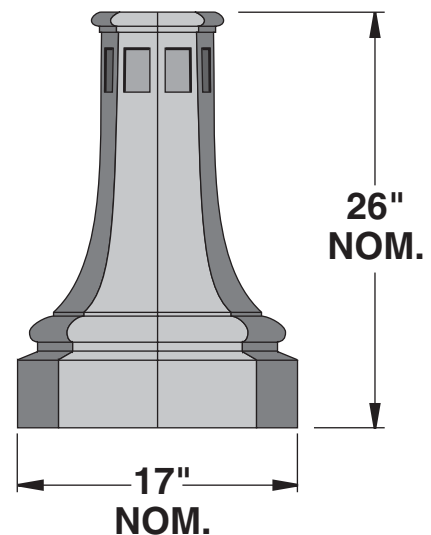


BASE

ONE PIECE CORROSION RESISTANT, DURABLE CAST ALUMINUM CONSTRUCTION. MINIMUM .210 WALL THICKNESS. BASE CONSISTS OF AN OCTAGONAL LOWER SECTION AND AN OCTAGONAL TAPERED UPPER SECTION CONTAINING A FLUSH HAND HOLE COVER CONFORMING TO BASE DESIGN. HAND HOLE COVER SUPPLIED WITH TAMPER RESISTANT HARDWARE. GROUNDING LUG PROVIDED INSIDE BASE OPPOSITE HAND HOLE.

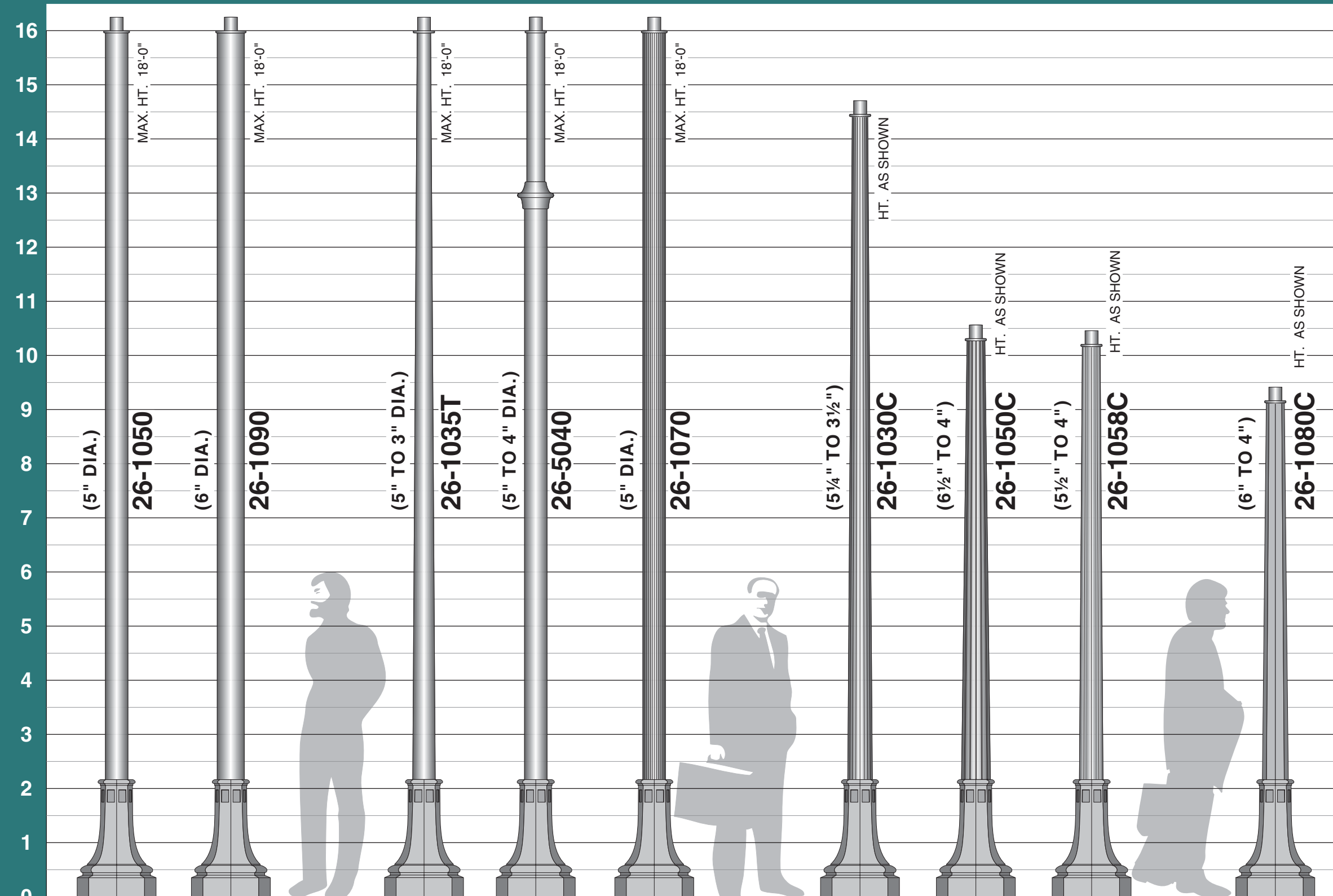
ANCHORAGE

A 3/4" CAST ALUMINUM ANCHOR RING IS WELDED 1" ABOVE BOTTOM OF BASE TO ACCEPT (4) FULLY GALVANIZED ANCHOR BOLTS. EACH BOLT SUPPLIED WITH TWO NUTS AND TWO WASHERS. ANCHORAGE IS FASTENED THROUGH HAND HOLE.



FINISH

ELECTROSTATICALLY APPLIED BAKED ON TEXTURED ACRYLIC ENAMEL. (SEE PAGE 5 FOR OPTIONAL FINISH AND COLOR SELECTION)



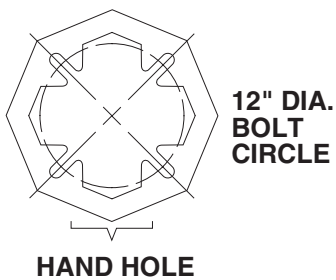
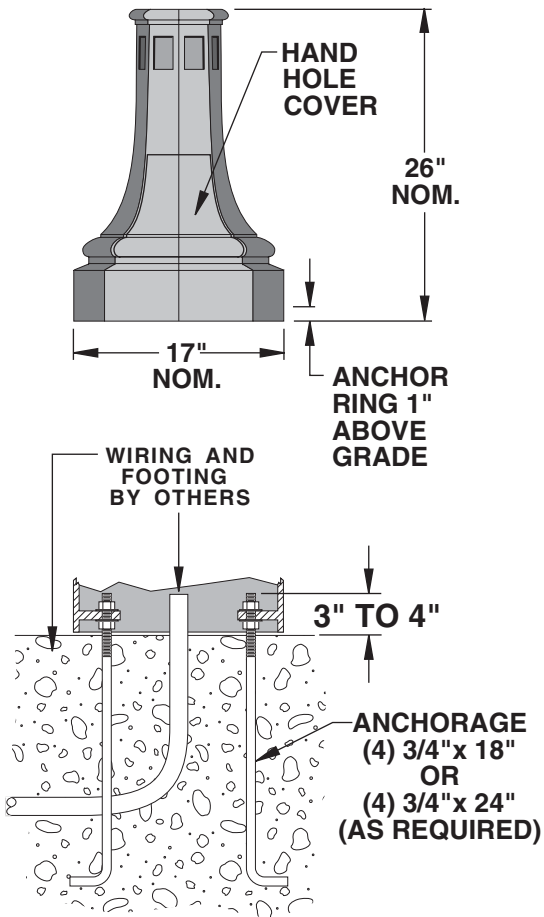
SHAFT IS CIRCUMFERENTIALLY WELDED TO BASE FOR ONE PIECE CONSTRUCTION
SEE SHAFT SECTION FOR SPECIFICATIONS AND ADDITIONAL STYLES

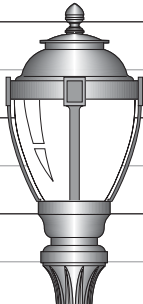
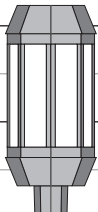
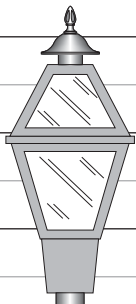
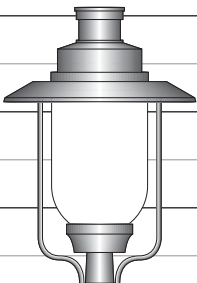
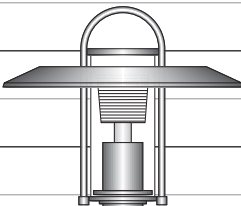
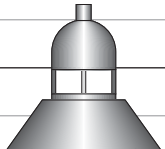
- ### TENONS
- STANDARD: 2 7/8" O.D.
 - OPTIONS: 2 3/8" O.D.
 - 3 1/2" O.D.
- PT23
 - PT31
 - DUP GFI
 - DUP OR G.F.I. RECEPTACLE WITH COVER
 - RBA
 - FBA
 - BEB
 - BBA
 - RBH
 - FBH
 - RSS
 - RLR
 - RFH
 - FFH
- FIELD ROTATABLE OR FIXED BANNER ARM
- BANNER EYE BOLT
- BREAK AWAY BANNER ARM
- FIELD ROTATABLE OR FIXED BASKET HOLDER
- FIELD ROTATABLE STREET SIGN
- FIELD ROTATABLE LADDER REST
- FIELD ROTATABLE OR FIXED FLAG HOLDER

2600 BASE

SUGGESTED LUMINAIRES

4
3
2
1
0
4
3
2
1
0
4
3
2
1
0
FT.



	
LCG-YE	LCD22
	
LCMO	LCZB
	
CLX	DSAL1

SEE LUMINAIRE SECTION FOR ADDITIONAL STYLES