



BASE

300

BASE

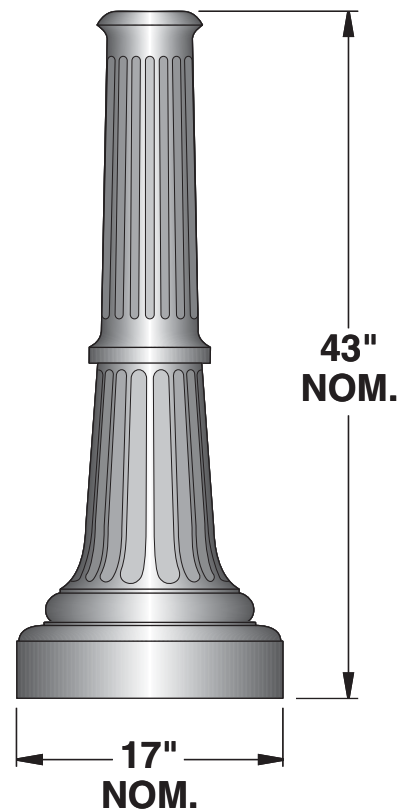
ONE PIECE CORROSION RESISTANT, DURABLE CAST ALUMINUM CONSTRUCTION. MINIMUM .210 WALL THICKNESS. BASE CONSISTS OF A SMOOTH STEPPED BOTTOM SECTION WITH HAND HOLE AND A DECORATIVE TAPERED SECTION CONSISTING OF EVENLY SPACED, HIGHLY DETAILED RAISED VERTICAL FLUTES. HAND HOLE COVER SUPPLIED WITH TAMPER RESISTANT HARDWARE. GROUNDING LUG PROVIDED INSIDE BASE OPPOSITE HAND HOLE.

ANCHORAGE

A 3/4" CAST ALUMINUM ANCHOR RING IS WELDED 1" ABOVE BOTTOM OF BASE TO ACCEPT (4) FULLY GALVANIZED ANCHOR BOLTS. EACH BOLT SUPPLIED WITH TWO NUTS AND TWO WASHERS. ANCHORAGE IS FASTENED THROUGH HAND HOLE.

FINISH

ELECTROSTATICALLY APPLIED BAKED ON TEXTURED ACRYLIC ENAMEL. (SEE PAGE 5 FOR OPTIONAL FINISH AND COLOR SELECTION)



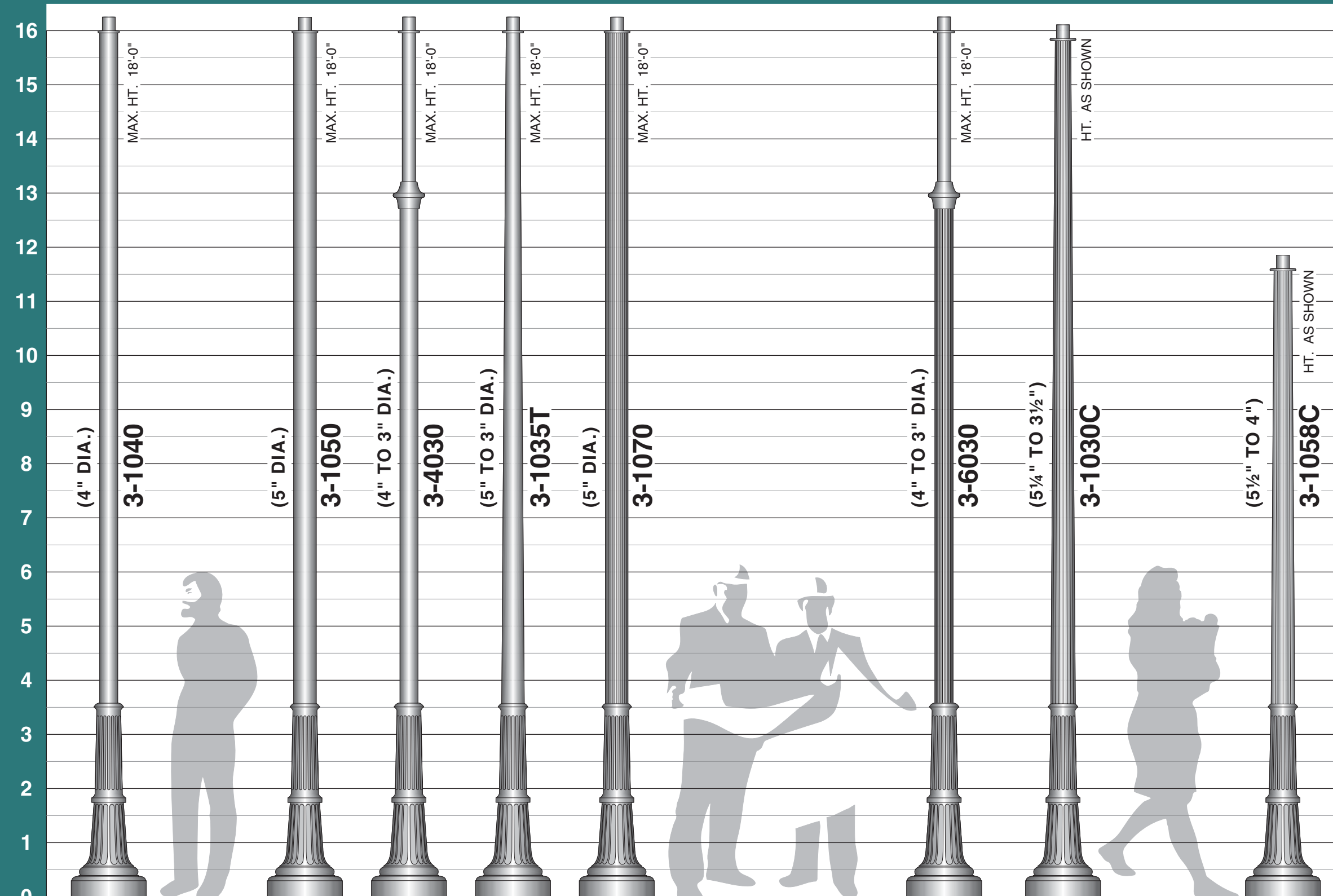
sun valley
LIGHTING

660 WEST AVENUE O, PALMDALE, CA 93551
(661) 233-2000
FAX (661) 233-2001
www.sunvalleylighting.com



POLE ACCESSORIES

(SPECIFY AS SUFFIX TO CAT. NO.)



SHAFT IS CIRCUMFERENTIALLY WELDED TO BASE FOR ONE PIECE CONSTRUCTION
 SEE SHAFT SECTION FOR SPECIFICATIONS AND ADDITIONAL STYLES

- ### TENONS
- STANDARD: 2 7/8" O.D.
 - OPTIONS: 2 3/8" O.D.
 - 3 1/2" O.D.
- PT23
 - PT31
 - DUP
 - GFI
 - RBA
 - FBA
 - BEB
 - BBA
 - RBH
 - FBH
 - RSS
 - RLR
 - RFH
 - FFH
- FIELD ROTATABLE OR FIXED BANNER ARM
- BANNER EYE BOLT
- BREAK AWAY BANNER ARM
- FIELD ROTATABLE OR FIXED BASKET HOLDER
- FIELD ROTATABLE STREET SIGN
- FIELD ROTATABLE LADDER REST
- FIELD ROTATABLE OR FIXED FLAG HOLDER
- 1 3/8" I.D.
- 20"



sun valley
LIGHTING

660 WEST AVENUE O, PALMDALE, CA 93551
 (661) 233-2000
 FAX (661) 233-2001
 www.sunvalleylighting.com

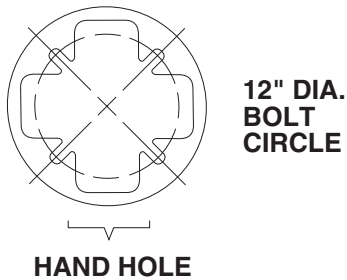
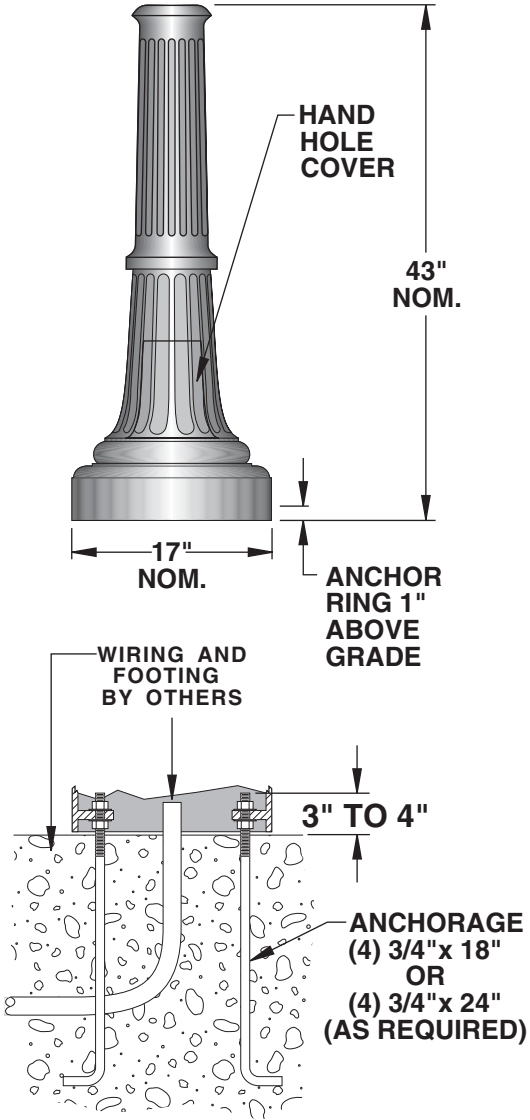


BASE



SUGGESTED LUMINAIRES

4
3
2
1
0
4
3
2
1
0
4
3
2
1
0
FT.



LAAR-YD	LAE2-YA
LCT-YL	LCSC
DSCL1	RCGD18

SEE LUMINAIRE SECTION FOR ADDITIONAL STYLES