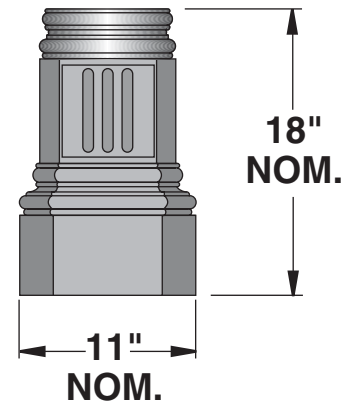


BASE

DECORATIVE, ONE PIECE CORROSION RESISTANT, DURABLE CAST ALUMINUM CONSTRUCTION. MINIMUM .220 WALL THICKNESS. STEPPED FOUR SIDED BASE IS PROVIDED WITH A LARGE HAND HOLE OPENING AND COVER CONTOURED TO BASE DESIGN. HAND HOLE COVER SUPPLIED WITH TAMPER RESISTANT HARDWARE. GROUNDING LUG PROVIDED INSIDE BASE OPPOSITE HAND HOLE.

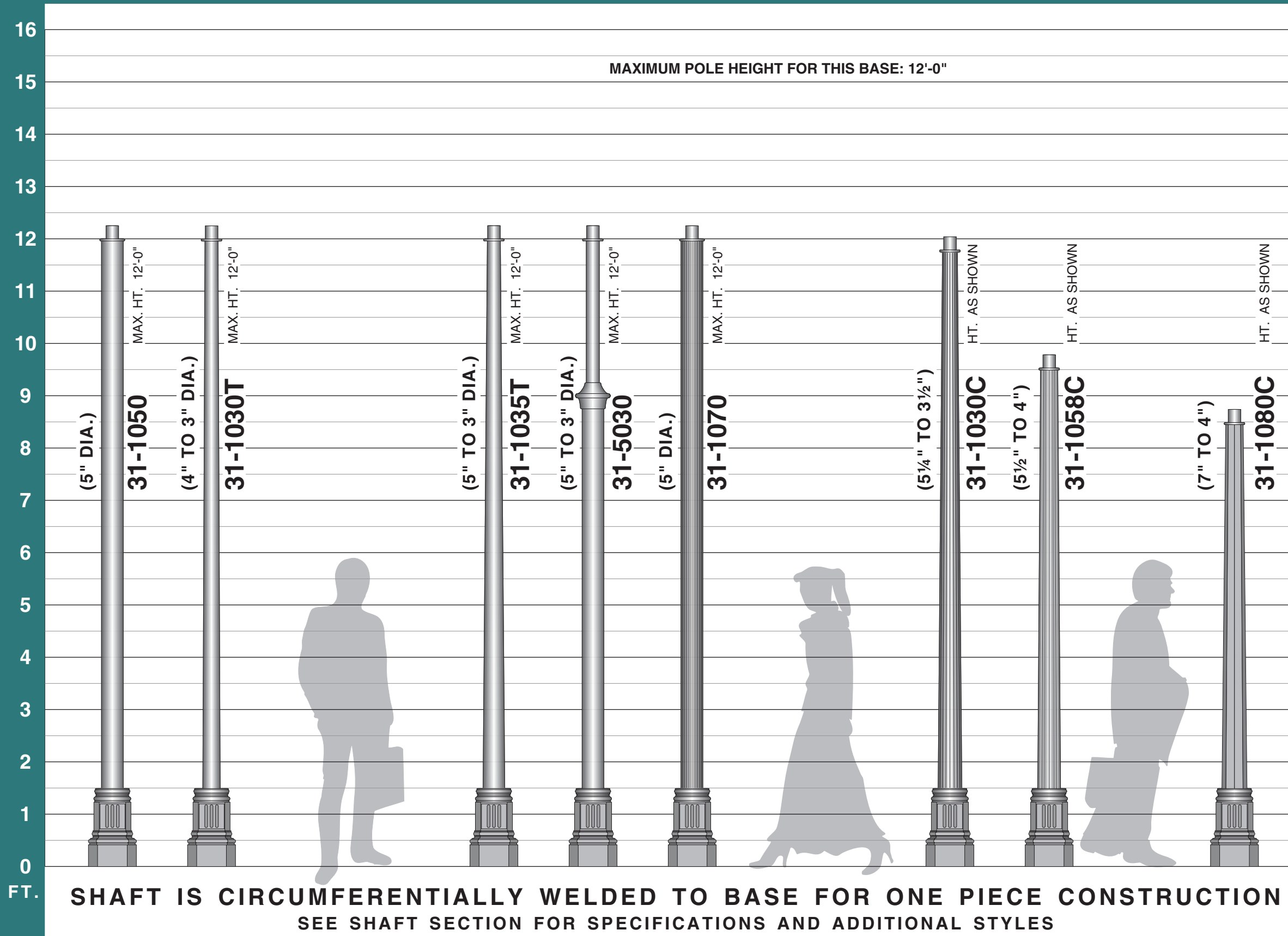
ANCHORAGE

A 3/4" CAST ALUMINUM ANCHOR RING IS WELDED 1" ABOVE BOTTOM OF BASE TO ACCEPT (4) FULLY GALVANIZED ANCHOR BOLTS. EACH BOLT SUPPLIED WITH TWO NUTS AND TWO WASHERS. ANCHORAGE IS FASTENED THROUGH HAND HOLE.



FINISH

ELECTROSTATICALLY APPLIED BAKED ON TEXTURED ACRYLIC ENAMEL. (SEE PAGE 5 FOR OPTIONAL FINISH AND COLOR SELECTION)



- TENONS**
- STANDARD: 2 7/8" O.D.
OPTIONS: 2 3/8" O.D.
3 1/2" O.D.
 - PT23
 - PT31
 - DUPLEX OR G.F.I. RECEPTACLE WITH COVER
 - DUP
 - GFI
 - FIELD ROTATABLE OR FIXED BANNER ARM
 - RBA
 - FBA
 - BANNER EYE BOLT
 - BEB
 - BREAK AWAY BANNER ARM
 - BBA
 - FIELD ROTATABLE OR FIXED BASKET HOLDER
 - RBH
 - FBH
 - FIELD ROTATABLE STREET SIGN
 - RSS
 - FIELD ROTATABLE LADDER REST
 - RLR

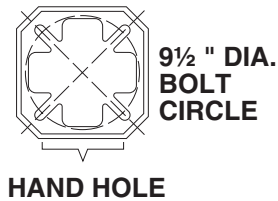
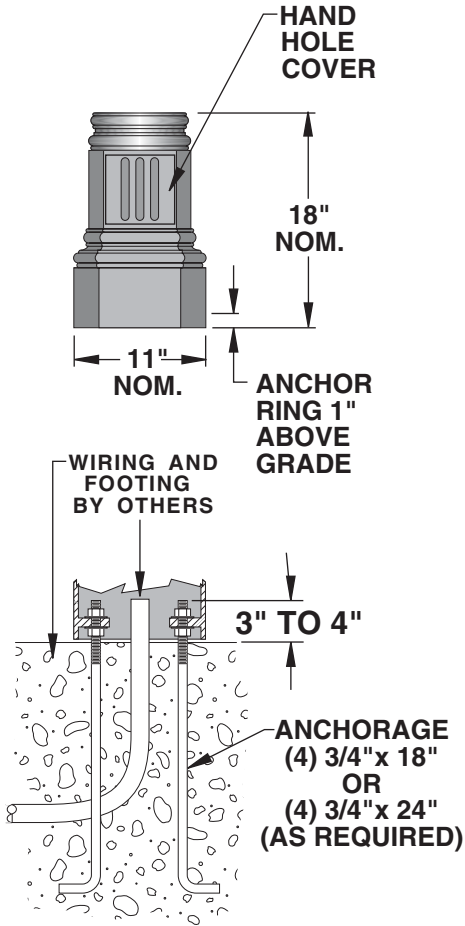
20"
 - FIELD ROTATABLE OR FIXED FLAG HOLDER
 - RFH
 - FFH

1 3/8" I.D.



BASE

SUGGESTED LUMINAIRES



		4
		3
		2
LAJ2-YB	LCD18	1
		0
		4
		3
LCMS	CTRN	2
		1
		0
		4
		3
		2
DSA1	DSHR1	1
		0
		FT.

SEE LUMINAIRE SECTION FOR ADDITIONAL STYLES