

BASE

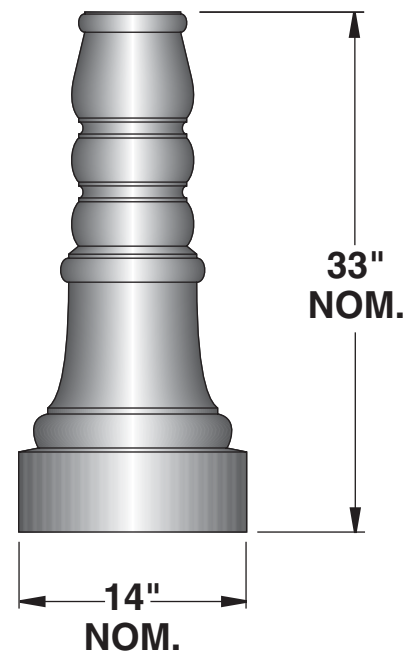
ONE PIECE CORROSION RESISTANT, DURABLE CAST ALUMINUM CONSTRUCTION. MINIMUM .225 WALL THICKNESS. BASE CONSISTS OF A WIDE SMOOTH, STEPPED BOTTOM SECTION AND A DECORATIVE TOP SECTION PROVIDED WITH HAND HOLE AND COVER. HAND HOLE COVER SUPPLIED WITH TAMPER RESISTANT HARDWARE. GROUNDING LUG PROVIDED INSIDE BASE OPPOSITE HAND HOLE.

ANCHORAGE

A 3/4" CAST ALUMINUM ANCHOR RING IS WELDED 1" ABOVE BOTTOM OF BASE TO ACCEPT (4) FULLY GALVANIZED ANCHOR BOLTS. EACH BOLT SUPPLIED WITH TWO NUTS AND TWO WASHERS. ANCHORAGE IS FASTENED THROUGH HAND HOLE.

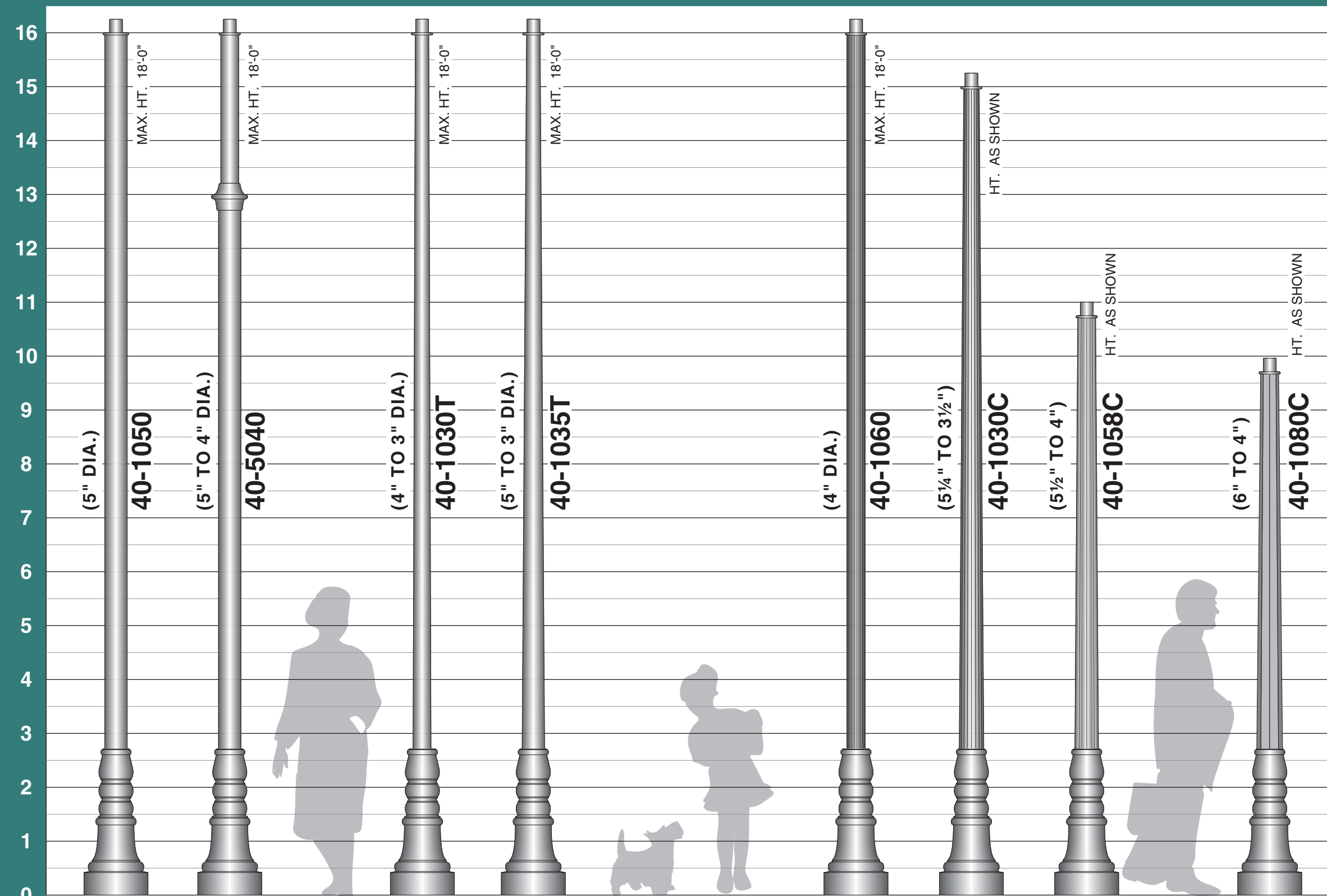
FINISH

ELECTROSTATICALLY APPLIED BAKED ON TEXTURED ACRYLIC ENAMEL. (SEE PAGE 5 FOR OPTIONAL FINISH AND COLOR SELECTION)



4 O O O BASE

POLE ACCESSORIES (SPECIFY AS SUFFIX TO CAT. NO.)



SHAFT IS CIRCUMFERENTIALLY WELDED TO BASE FOR ONE PIECE CONSTRUCTION
SEE SHAFT SECTION FOR SPECIFICATIONS AND ADDITIONAL STYLES

- TENONS**
- STANDARD: 2 7/8" O.D. PT23
 OPTIONS: 2 3/8" O.D. PT31
 3 1/2" O.D.
 - DUPLEX OR G.F.I. RECEPTACLE WITH COVER DUP GFI
 - FIELD ROTATABLE OR FIXED BANNER ARM RBA
 FBA
 - BANNER EYE BOLT BEB
 - BREAK AWAY BANNER ARM BBA
 - FIELD ROTATABLE OR FIXED BASKET HOLDER RBH
 FBH
 - FIELD ROTATABLE STREET SIGN RSS
 - FIELD ROTATABLE LADDER REST RLR
 20" width
 - FIELD ROTATABLE OR FIXED FLAG HOLDER RFH
 FFH
 1 3/8" I.D.

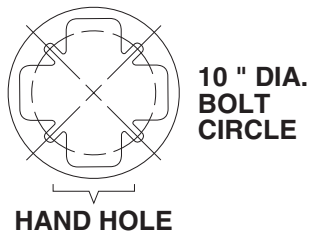
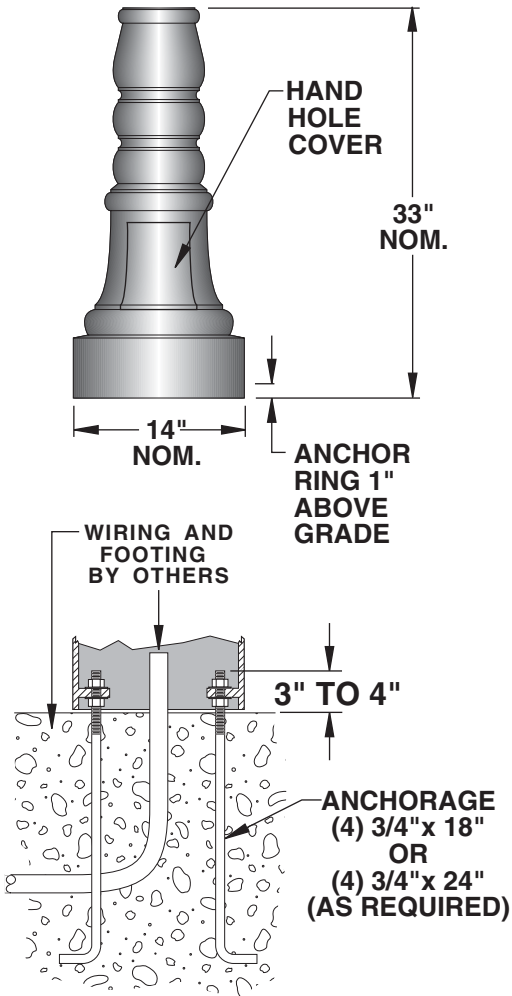


sun valley
LIGHTING

660 WEST AVENUE O, PALMDALE, CA 93551
(661) 233-2000
FAX (661) 233-2001
www.sunvalleylighting.com

4000 BASE

SUGGESTED LUMINAIRES



		4
		3
		2
LAB1-YD	LAJ1-YA	1
		0
		4
		3
		2
LCB-YJ	DSAD1	1
		0
		4
		3
		2
		1
DSD1	RCGN18	0
		FT.

SEE LUMINAIRE SECTION FOR ADDITIONAL STYLES