

BASE

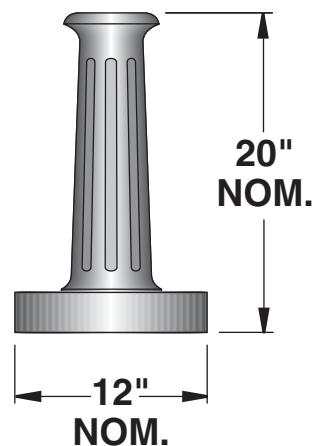
ONE PIECE CORROSION RESISTANT, DURABLE CAST ALUMINUM CONSTRUCTION. MINIMUM .220 WALL THICKNESS. BASE CONSISTS OF AN ANCHOR PLATE AND A DECORATIVE TAPERED FLUTED SECTION WITH EVENLY SPACED, HIGHLY DETAILED RAISED VERTICAL FLUTES. BASE PROVIDED WITH A FLUSH HAND HOLE AND COVER, HAND HOLE COVER SUPPLIED WITH TAMPER RESISTANT HARDWARE. GROUNDING LUG PROVIDED INSIDE BASE OPPOSITE HAND HOLE.

ANCHORAGE

(4) FULLY GALVANIZED ANCHOR BOLTS. EACH BOLT SUPPLIED WITH TWO NUTS AND TWO WASHERS. ANCHORAGE IS FASTENED THROUGH HOLES CAST INTO BASE TOP, COVERS SUPPLIED TO CONCEAL BOLT HOLES.

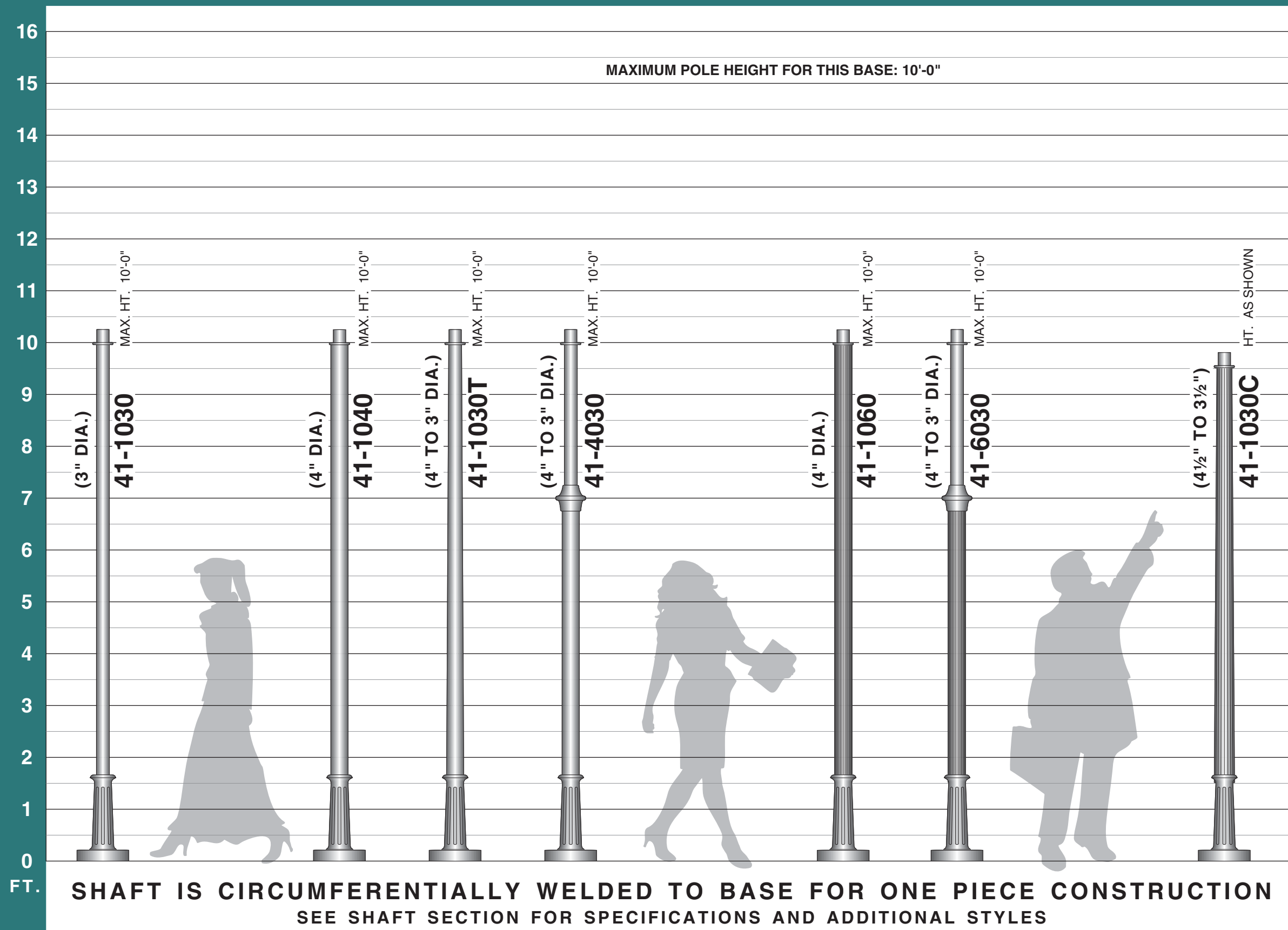
FINISH

ELECTROSTATICALLY APPLIED BAKED ON TEXTURED ACRYLIC ENAMEL. (SEE PAGE 5 FOR OPTIONAL FINISH AND COLOR SELECTION)



4100 BASE

POLE ACCESSORIES (SPECIFY AS SUFFIX TO CAT. NO.)



- TENONS**
- STANDARD: 2 7/8" O.D. PT23
 - OPTIONS: 2 3/8" O.D. PT31
 - 3 1/2" O.D.
 - DUPLEX OR G.F.I. RECEPTACLE WITH COVER DUP GFI
 - FIELD ROTATABLE OR FIXED BANNER ARM RBA
 - FBA
 - BANNER EYE BOLT BEB
 - BREAK AWAY BANNER ARM BBA
 - FIELD ROTATABLE OR FIXED BASKET HOLDER RBH
 - FBH
 - FIELD ROTATABLE STREET SIGN RSS
 - FIELD ROTATABLE LADDER REST RLR
 - 20"
 - FIELD ROTATABLE OR FIXED FLAG HOLDER RFH
 - FFH
- 1 3/8" I.D.

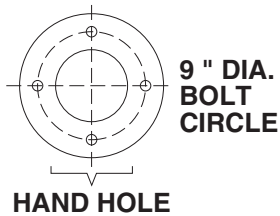
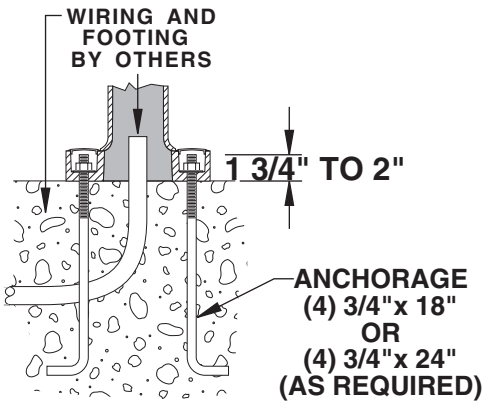
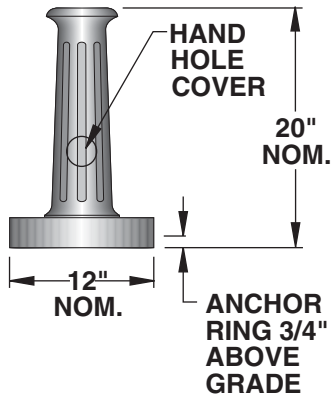


sun valley
LIGHTING

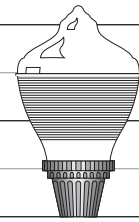
660 WEST AVENUE O, PALMDALE, CA 93551
(661) 233-2000
FAX (661) 233-2001
www.sunvalleylighting.com

4 1 0 0 BASE

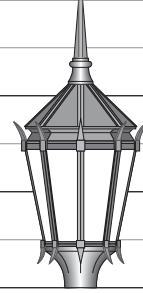
SUGGESTED LUMINAIRES



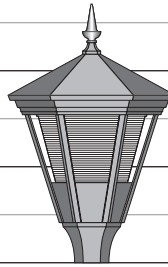
			4
			3
			2
			1
			0
			4
			3
			2
			1
			0
			4
			3
			2
			1
			0
			4
			3
			2
			1
			0
			FT.



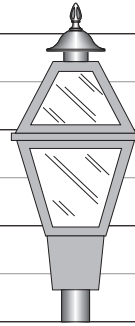
LAAR-YA



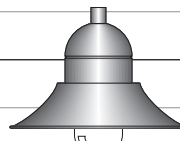
LCJ2



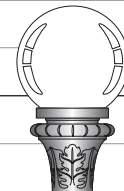
CTRH



LCMO



DSC1



LG14-YC

SEE LUMINAIRE SECTION FOR ADDITIONAL STYLES