

BASE

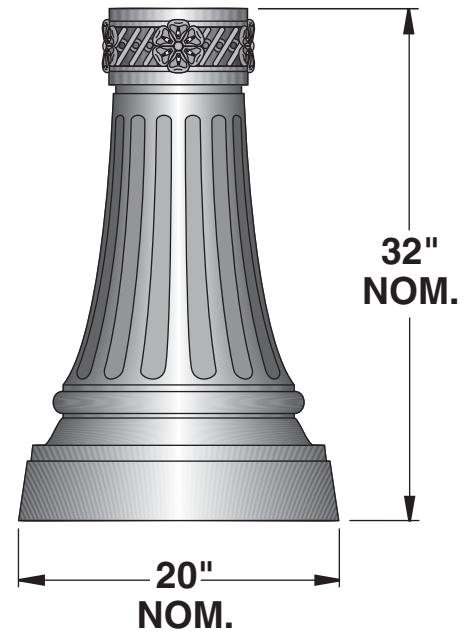
ONE PIECE CORROSION RESISTANT, DURABLE CAST ALUMINUM CONSTRUCTION. MINIMUM .210 WALL THICKNESS. BASE CONSISTS OF A SMOOTH, TAPERED BOTTOM SECTION, AND A HIGHLY DETAILED, DECORATIVE FLUTED SECTION, A DECORATIVE CAST ALUMINUM COLLAR AND A FLUTED HAND HOLE COVER CONTOURED TO BASE DESIGN. HAND HOLE COVER SUPPLIED WITH TAMPER RESISTANT HARDWARE. GROUNDING LUG PROVIDED INSIDE BASE OPPOSITE HAND HOLE.

ANCHORAGE

A 3/4" CAST ALUMINUM ANCHOR RING IS WELDED 1" ABOVE BOTTOM OF BASE TO ACCEPT (4) FULLY GALVANIZED ANCHOR BOLTS. EACH BOLT SUPPLIED WITH TWO NUTS AND TWO WASHERS. ANCHORAGE IS FASTENED THROUGH HAND HOLE.

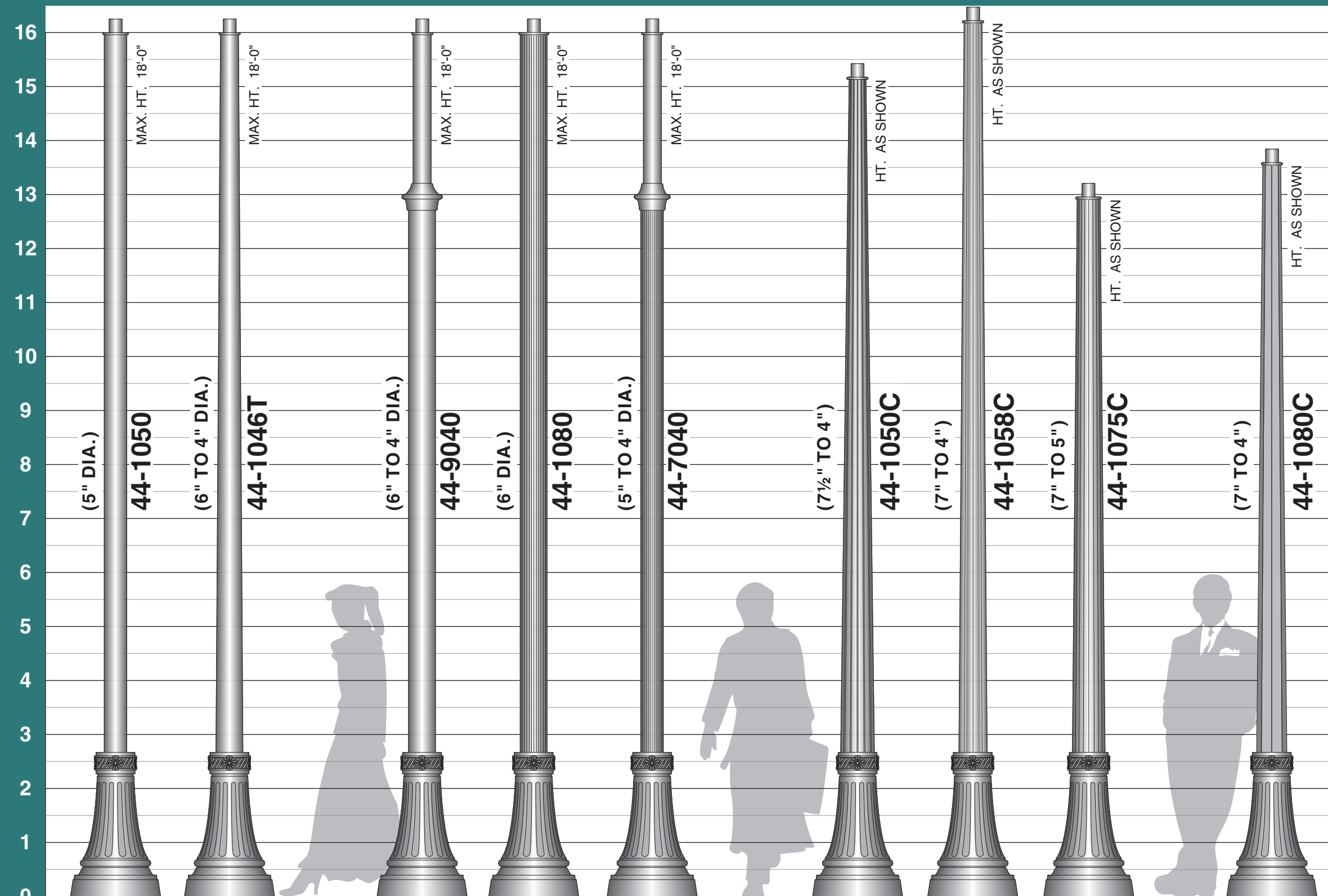
FINISH

ELECTROSTATICALLY APPLIED BAKED ON TEXTURED ACRYLIC ENAMEL. (SEE PAGE 5 FOR OPTIONAL FINISH AND COLOR SELECTION)



4400 BASE

POLE ACCESSORIES (SPECIFY AS SUFFIX TO CAT. NO.)



- TENONS**
- STANDARD: 2 7/8" O.D.
 - OPTIONS: 2 3/8" O.D.
 - 3 1/2" O.D.
- PT23
 - PT31
- DUPLEX OR G.F.I. RECEPTACLE WITH COVER**
- DUP GFI
- FIELD ROTATABLE OR FIXED BANNER ARM**
- RBA
 - FBA
- BANNER EYE BOLT**
- BEB
- BREAK AWAY BANNER ARM**
- BBA
- FIELD ROTATABLE OR FIXED BASKET HOLDER**
- RBH
 - FBH
- FIELD ROTATABLE STREET SIGN**
- RSS
- FIELD ROTATABLE LADDER REST**
- RLR
- FIELD ROTATABLE OR FIXED FLAG HOLDER**
- RFH
 - FFH

SHAFT IS CIRCUMFERENTIALLY WELDED TO BASE FOR ONE PIECE CONSTRUCTION
SEE SHAFT SECTION FOR SPECIFICATIONS AND ADDITIONAL STYLES

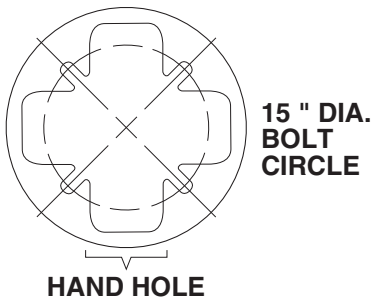
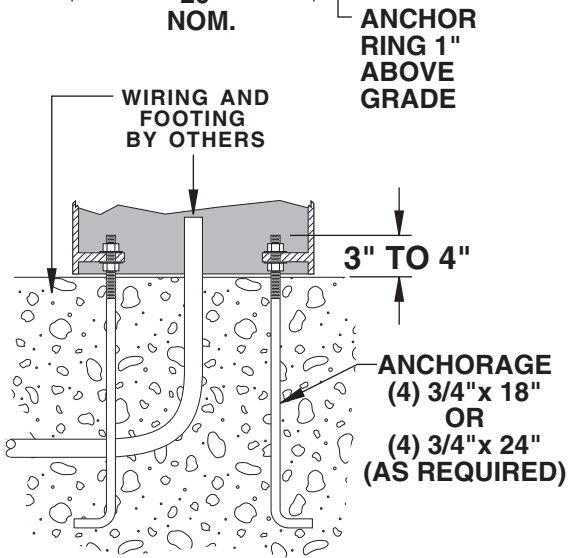
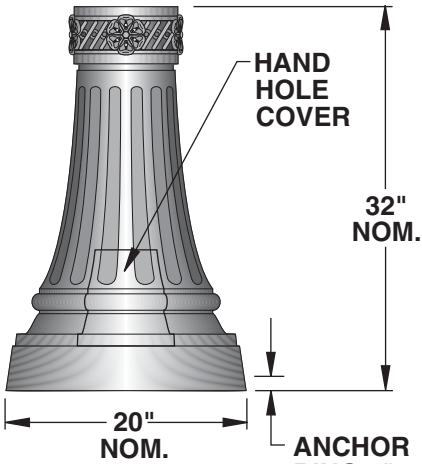


sun valley
LIGHTING

660 WEST AVENUE O, PALMDALE, CA 93551
(661) 233-2000
FAX (661) 233-2001
www.sunvalleylighting.com

4400 BASE

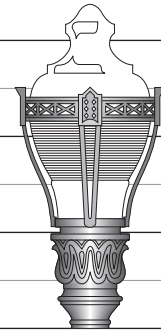
SUGGESTED LUMINAIRES



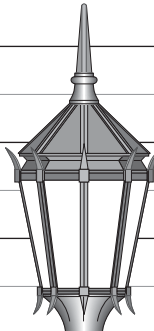
		4
		3
		2
		1
		0
		4
		3
		2
		1
		0
		4
		3
		2
		1
		0
		FT.



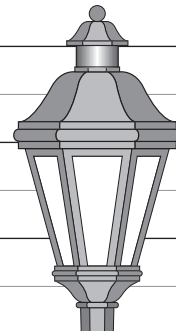
LAB1-YA



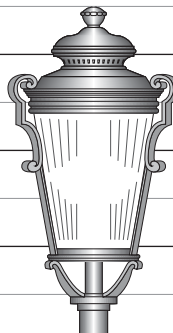
LAFR1-YF



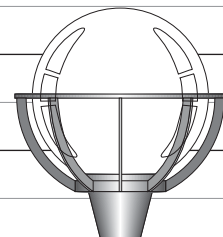
LCJ1



LCKM1



LCWA



RCGS22

SEE LUMINAIRE SECTION FOR ADDITIONAL STYLES