

# 4500MSB

## SPLIT BASE

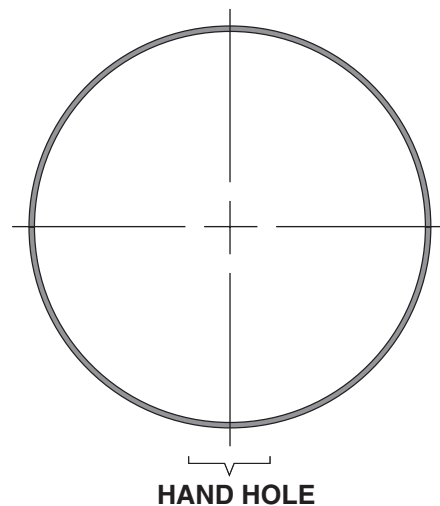
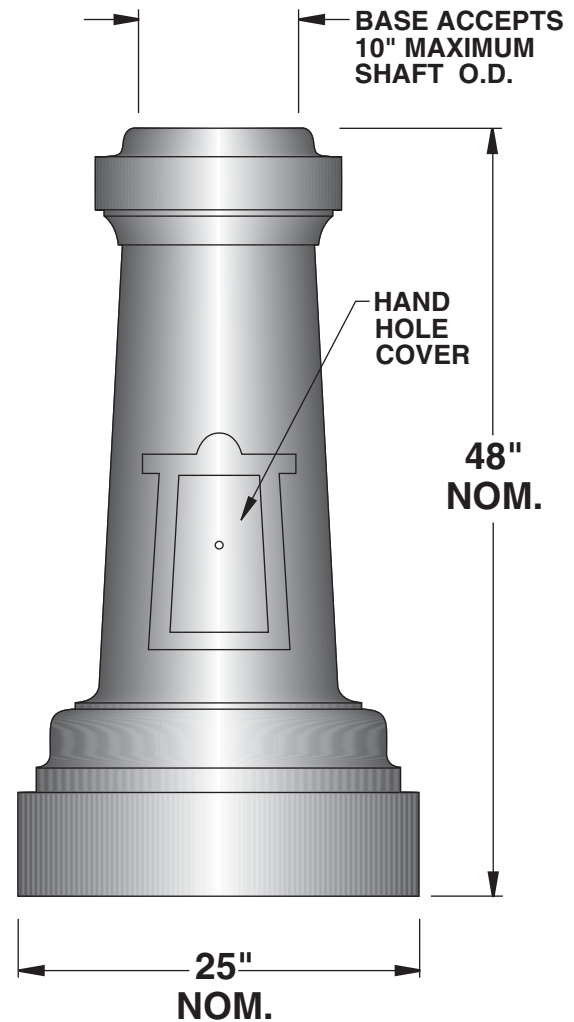
4500MSB

### BASE

TWO PIECE WRAPAROUND, CORROSION RESISTANT, DURABLE CAST ALUMINUM CONSTRUCTION, MINIMUM .210 WALL THICKNESS. BASE CONSISTS OF A WIDE SMOOTH BOTTOM SECTION. BASE IS FURNISHED WITH HAND HOLE AND COVER. HAND HOLE COVER SUPPLIED WITH TAMPER RESISTANT HARDWARE. (4) 1/4"-20 SET SCREWS PROVIDED TO SECURE DECORATIVE BASE TO SHAFT.

### FINISH

ELECTROSTATICALLY APPLIED BAKED ON TEXTURED ACRYLIC ENAMEL. (SEE PAGE 5 FOR OPTIONAL FINISH AND COLOR SELECTION)



The Lighting Tradition

**sun valley**  
LIGHTING

660 WEST AVENUE O, PALMDALE, CA 93551  
(661) 233-2000  
FAX (661) 233-2001  
[www.sunvalleylighting.com](http://www.sunvalleylighting.com)

SB-27



### ACCESSORIES

(SPECIFY AS SUFFIX TO CAT. NO.)

#### TENONS



- 2 3/8" O.D.  PT23
- 2 7/8" O.D.  PT27
- 3 1/2" O.D.  PT31

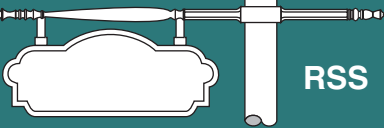
- DUPLEX OR G.F.I. RECEPTACLE WITH COVER  DUP  
GFI

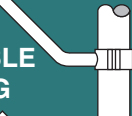

- FIELD ROTATABLE OR FIXED BANNER ARM  RBA
-  FBA

- BANNER EYE BOLT  BEB

- BREAK AWAY BANNER ARM  BBA

- FIELD ROTATABLE OR FIXED BASKET HOLDER  RBH
-  FBH

- FIELD ROTATABLE STREET SIGN  RSS

- FIELD ROTATABLE OR FIXED FLAG HOLDER  RFH
-  FFH

1 3/8" I.D.

SCALE: 1/2"=1'-0"

