

# 4500

## DIRECT BURIAL FIXTURE

### SPECIFICATIONS

**FIXTURE:** **ALUMINUM PRODUCT**-CONSTRUCTED OF PRIMARY 356 CAST ALUMINUM ALLOY.  
**BRONZE PRODUCT**-CONSTRUCTED OF PRIMARY 844 CAST BRONZE ALLOY.

**LENS:** CLEAR-CONVEX OR FLAT, 1/4" TEMPERED GLASS.

**OPTIONS:**

**FWL**-CLEAR FLAT WALKOVER LENS, 3/8" THICK TEMPERED GLASS.

**PFL**-PRISMATIC FLAT LENS, 1/2" THICK TEMPERED GLASS.

**GASKETING:** **LENS GASKET**-50 S.D.H. "A" SCALE HIGH TEMPERATURE EXTRUDED SILICONE.

**SPLICE COMPARTMENT GASKET**-60 S.D.H. "A" SCALE-DIE CUT NEOPRENE.

**LAMP HOLDER:** PAR 38/R40-4KV PORCELAIN MEDIUM BASE.

**LAMP:** BY OTHERS)-FIELD ADJUSTABLE TO 20° TILT-360° ON AXIS.

**OPTION:**

**WWS**-43° TILT.

**BALLAST:** HIGH POWER FACTOR AUTOTRANSFORMER -20° F STARTING TEMPERATURE.

**BALLAST COMPARTMENT:** FACTORY SEALED AND ISOLATED FROM THE SPLICE COMPARTMENT BY AN ANTI-WICKING CHAMBER, SEALED WITH A EPOXY BASED SEALING RESIN.

**FASTENERS:** 18-8 STAINLESS STEEL OR SILICONE BRONZE.

**WIRING COMPONENTS:** 14 GAUGE 200°C TEMPERATURE RATING. 1/4"-20 GROUNDING LUG PROVIDED.

**SPLICE COMPARTMENT:** SUPPLIED WITH TWO (2) 1/2" OR 3/4" NPT CONDUIT ENTRIES (3/4"-STANDARD). SPLICE COMPARTMENT ISOLATED FROM THE LAMP COMPARTMENT BY AN ANTI-WICKING CHAMBER, SEALED WITH EPOXY BASED RESIN.

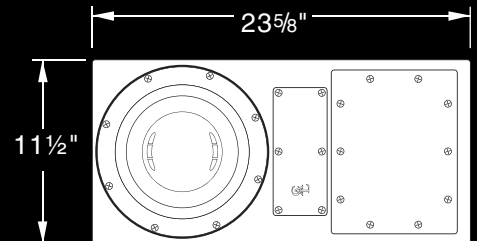
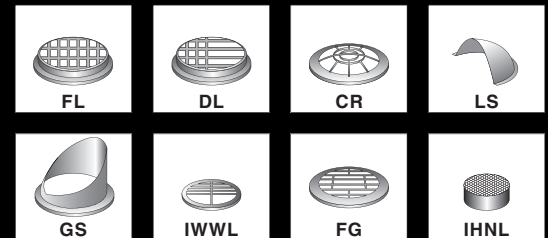
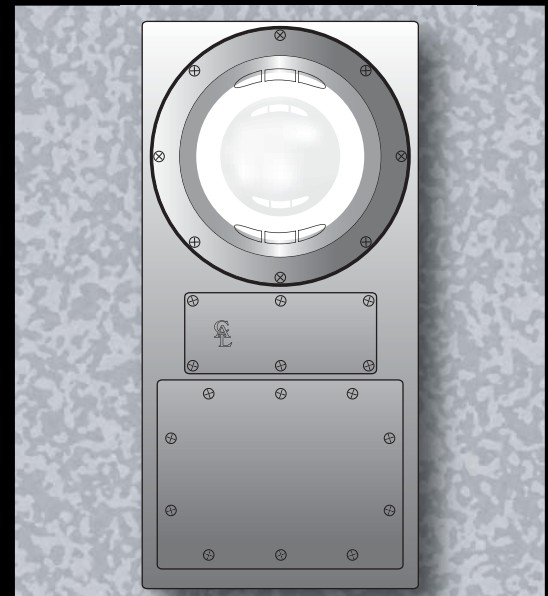
**FINISH:** **ALUMINUM PRODUCT**-3 MIL STGIC THERMOSET EPOXY POWDER COATING.

**BRONZE PRODUCT**-3 MIL STHICK BITUMINOUS COATING APPLIED TO THE EXTERIOR HOUSING

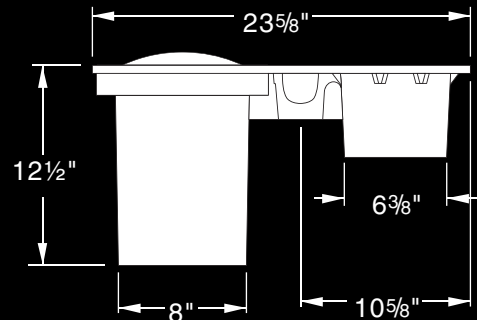
**TESTING:** FACTORY UNDER WATER POROSITY PRESSURE TEST TO 10 P.S.I.

FACTORY CERTIFIED UNDER WATER LEAK PREVENTION TEST ON 100% OF ALL FINISHED GOODS.

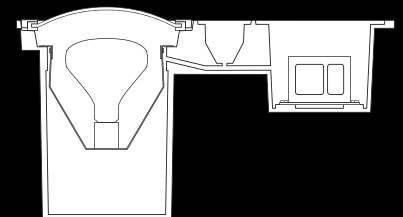
ETL LISTED FOR WET LOCATION AND CONCRETE POUR APPLICATIONS.



TOP VIEW



SIDE VIEW



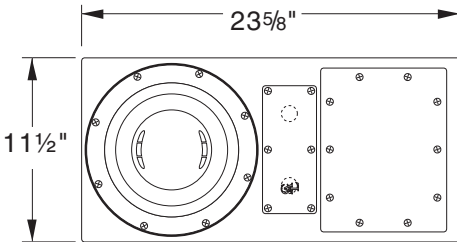
CROSS SECTION

# 4500

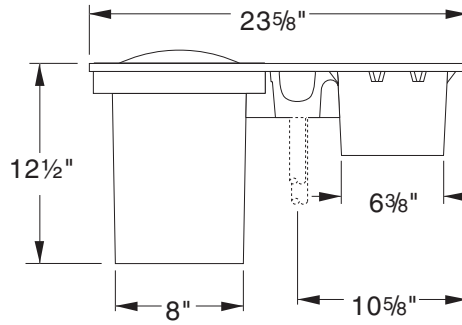
DIRECT BURIAL FIXTURE

TYPE: \_\_\_\_\_

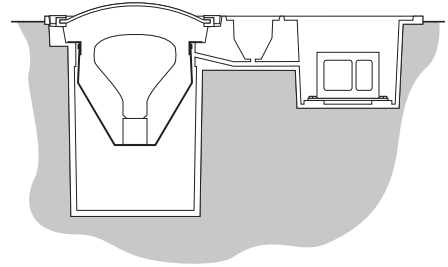
TOP VIEW



SIDE VIEW



CROSS SECTION



## ORDERING INFORMATION

MODEL NO.:  
4500

PART NUMBERS

FINISH

OPTIONS

MODEL NO.:

### PART NUMBERS

### FINISH

### OPTIONS

4  
5  
0  
0

- 4500-MV 100, PAR 38/R40, 100W
- 4500-MV 175, R-40, 175W
- 4500-HPS 70, R-38, 70W
- 4500-MH 35, R-30, 35W
- 4500-MH 70, PAR 38/40, 70W
- 4500-MH 100, PAR 38/40, 100W
- 4500-MH 150, PAR 38, 150W
- 4500-MH 175, PAR 38/R40, 175W

- DARK BRONZE. . . . .DB  
(STANDARD COLOR)
- BLACK. . . . .BK
- WHITE. . . . .WT
- ALUMINUM. . . . .AL

- ALUMINUM. . . . . "A"
- BRONZE. . . . . "B"
- CONVEX LENS. . . . . "C"
- FLAT LENS. . . . . "F"
- FULL LOUVER. . . . . "FL"
- DIRECTIONAL LOUVER. . . . . "DL"
- CONVEX ROCKGUARD. . . . . "CR"
- LIGHT SHIELD. . . . . "LS"
- GLARE SHIELD. . . . . "GS"
- FLAT GRILL. . . . . "FG"
- FLAT WALKOVER LENS. . . . . "FWL"
- PRISMATIC FLAT LENS. . . . . "PFL"
- INTERNAL WALL WASH LOUVER. . . . . "IWWL"
- INTERNAL HONEYCOMB LOUVER. . . . . "IHNL"
- WALL WASH SYSTEM. . . . . "WWS"

US ARCHITECTURAL. RESERVES THE RIGHT TO MAKE CONTINUED PRODUCT DESIGN AND CONSTRUCTION IMPROVEMENTS WHICH MAY AFFECT THE PRODUCT ILLUSTRATED

