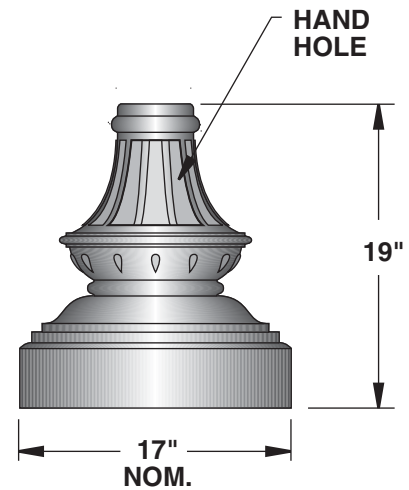


BASE

ONE PIECE CORROSION RESISTANT, DURABLE CAST ALUMINUM CONSTRUCTION (A356 ALUM. ALLOY). MINIMUM .225 WALL THICKNESS. BASE CONSISTS OF A 17" DIA. SMOOTH TAPERED BOTTOM SECTION, A DECORATIVE TAPERED FLUTED SECTION OF EVENLY SPACED WIDE RAISED VERTICAL FLUTES AND A DECORATIVE CAST ALUMINUM COLLAR. BASE IS FURNISHED WITH A CONTOURED, FLUTED FLUSH HAND HOLE AND COVER. HAND HOLE COVER SUPPLIED WITH TAMPER RESISTANT HARDWARE.



ANCHORAGE

A 3/4" CAST ALUMINUM ANCHOR RING IS WELDED 1" ABOVE BOTTOM OF BASE TO ACCEPT (4) FULLY GALVANIZED ANCHOR BOLTS. EACH BOLT SUPPLIED WITH TWO NUTS AND TWO WASHERS. ANCHORAGE IS FASTENED THROUGH HAND HOLE.

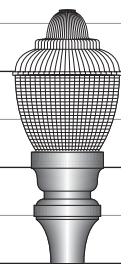
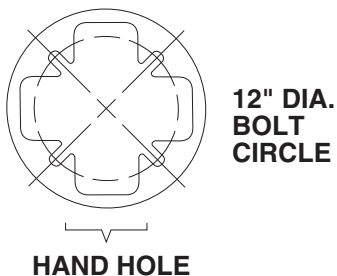
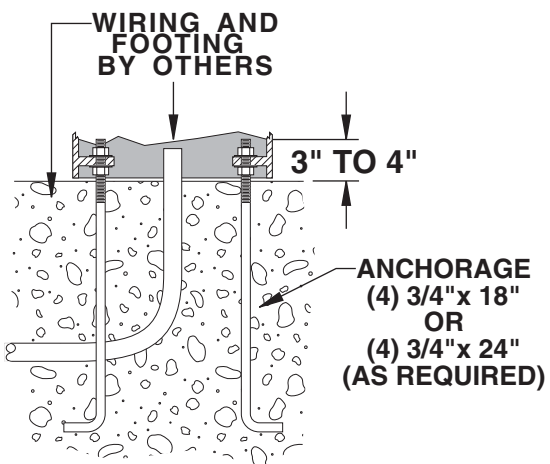
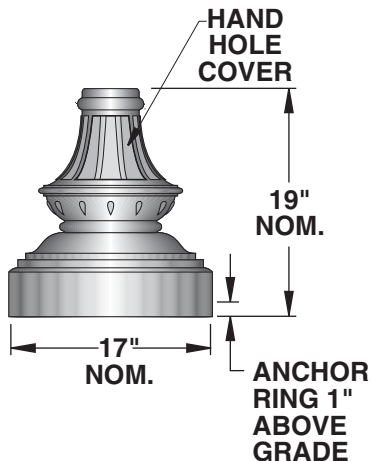
FINISH

ELECTROSTATICALLY APPLIED BAKED ON TEXTURED ACRYLIC ENAMEL. (SEE PAGE 5 FOR

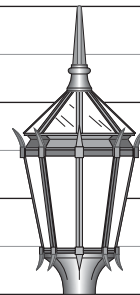
4700 BASE

SUGGESTED LUMINAIRES

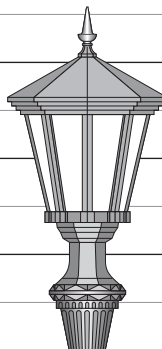
4
3
2
1
0
4
3
2
1
0
4
3
2
1
0
4
3
2
1
0
FT.



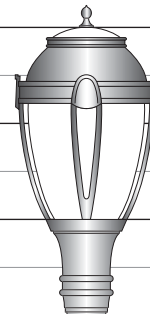
GLR-YD



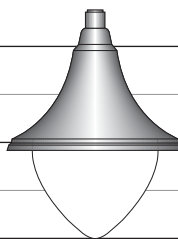
LCJO2



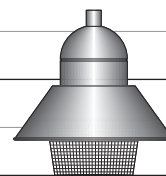
LCT-YM



LCGS



LCAC



DSARI

SEE LUMINAIRE SECTION FOR ADDITIONAL STYLES