

4700

DIRECT BURIAL FIXTURE

SPECIFICATIONS

FIXTURE: **ALUMINUM PRODUCT**-CONSTRUCTED OF PRIMARY 356 CAST ALUMINUM ALLOY.
BRONZE PRODUCT-CONSTRUCTED OF PRIMARY 844 CAST BRONZE ALLOY.

LENS: CLEAR-CONVEX OR FLAT, 1/4" TEMPERED GLASS.

OPTIONS:

FWL-CLEAR FLAT WALKOVER LENS, 3/8" THICK TEMPERED GLASS.

PFL-PRISMATIC FLAT LENS, 1/2" THICK TEMPERED GLASS.

GASKETING: LENS GASKET-50 S.D.H. "A" SCALE HIGH TEMPERATURE EXTRUDED SILICONE.

LAMP HOLDER: 4KV PORCELAIN MEDIUM BASE.

LAMP: (BY OTHERS)-FIELD ADJUSTABLE TO 20° TILT-360° ON AXIS.

BALLAST: HIGH POWER FACTOR AUTOTRANSFORMER -20° F STARTING TEMPERATURE.

FASTENERS: 18-8 STAINLESS STEEL OR SILICONE BRONZE.

WIRING COMPONENTS: 14 GAUGE 200°C TEMPERATURE RATING. 1/4"-20 GROUNDING LUG PROVIDED.

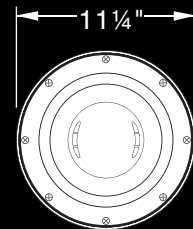
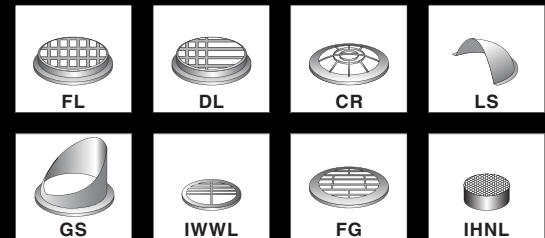
SPLICE COMPARTMENT: SUPPLIED WITH TWO (2) 1/2" OR 3/4" NPT CONDUIT ENTRIES (3/4"-STANDARD). SILICONE ELASTOMER COMPOUND (BY OTHERS), IS FIELD APPLIED TO SEAL SPLICE COMPARTMENT.

FINISH: **ALUMINUM PRODUCT**-3 MILS TGIC THERMOSET EPOXY POWDER COATING.
BRONZE PRODUCT-3 MILS THICK BITUMINOUS COATING APPLIED TO THE EXTERIOR HOUSING

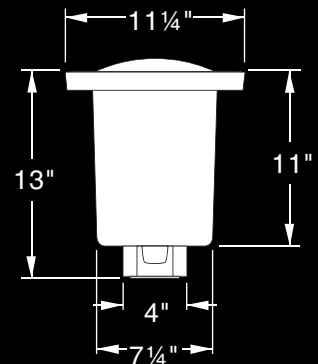
TESTING: FACTORY UNDER WATER POROSITY PRESSURE TEST TO 10 P.S.I.

FACTORY CERTIFIED UNDER WATER LEAK PREVENTION TEST ON 100% OF ALL FINISHED GOODS.

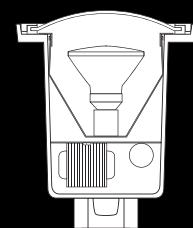
ETL LISTED FOR WET LOCATION AND CONCRETE POUR APPLICATIONS.



TOP VIEW



SIDE VIEW



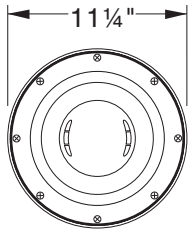
CROSS SECTION

4700

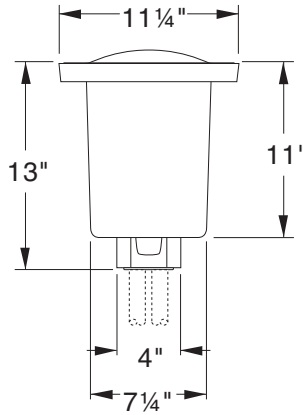
DIRECT BURIAL FIXTURE

TYPE: _____

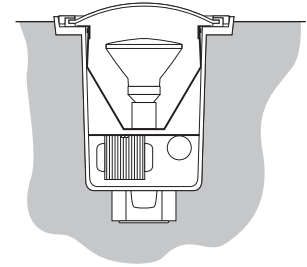
TOP VIEW



SIDE VIEW



CROSS SECTION



ORDERING INFORMATION

MODEL NO. :
4700

MODEL NO. :

4
7
0
0

PART NUMBERS

PART NUMBERS

- 4700-INC., PAR 38/R40, 300W
- 4700-INC., PAR 56, 500W
- 4700-MV 100 PAR 38, 100W
- 4700-HPS 70, E-17, 70W
- 4700-HPS 100, E-17, 100W
- 4700-HPS 150, E-17, 150W
- 4700-MH 35 PAR 20/30, 35W
- 4700-MH 50, E-17, 50W
- 4700-MH 70, PAR 38/R40, 70W
- 4700-MH 100, PAR 38/R40, 100W
- 4700-MH 150, ED-17, 150W
- 4700-MH 150, PAR 38, 150W
- 4700-MH 175, E-17, 175W
- 4700-MH 175, R40, 175W
- 4700-MH 175, ED-17, 175W

FINISH

FINISH

STANDARD
TEXTURED FINISH

- BLACK
RAL-9005-T
- WHITE
RAL-9003-T
- GREY
RAL-7004-T
- DRK BRONZE
RAL-8019-T
- GREEN
RAL-6005-T

FOR SMOOTH
FINISH REMOVE
SUFFIX "T"
(EXAMPLE:
RAL-9500)

SEE WEBSITE FOR
ADDITIONAL COLORS

OPTIONS

OPTIONS

- ALUMINUM....."A"
- BRONZE....."B"
- CONVEX LENS....."C"
- FLAT LENS....."F"
- FULL LOUVER....."FL"
- DIRECTIONAL LOUVER....."DL"
- CONVEX ROCKGUARD....."CR"
- LIGHT SHIELD....."LS"
- GLARE SHIELD....."GS"
- FLAT GRILL....."FG"
- FLAT WALKOVER LENS....."FWL"
- PRISMATIC FLAT LENS....."PFL"
- INTERNAL WALL WASH LOUVER....."IWWL"
- INTERNAL HONEYCOMB LOUVER....."IHNL"
- WALL WASH SYSTEM....."WWS"
- SPOT E LAMP REFLECTOR....."SER"
- FLOOD E LAMP REFLECTOR....."FER"

US ARCHITECTURAL. RESERVES THE RIGHT TO MAKE CONTINUED PRODUCT DESIGN AND CONSTRUCTION IMPROVEMENTS WHICH MAY AFFECT THE PRODUCT ILLUSTRATED