

BASE

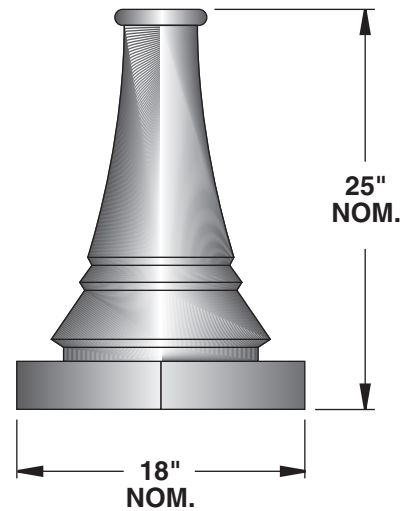
ONE PIECE CORROSION RESISTANT, DURABLE CAST ALUMINUM CONSTRUCTION. MINIMUM .210 WALL THICKNESS. BASE CONSISTS OF A HIGHLY DETAILED HEXAGONAL BOTTOM SECTION AND DECORATIVE TOP SECTION. BASE PROVIDED WITH HAND HOLE AND COVER CONTOURED TO BASE DESIGN COVER SUPPLIED WITH TAMPER RESISTANT HARDWARE. GROUNDING LUG PROVIDED INSIDE BASE OPPOSITE HAND HOLE.

ANCHORAGE

A 3/4" CAST ALUMINUM ANCHOR RING IS WELDED 1" ABOVE BOTTOM OF BASE TO ACCEPT (4) FULLY GALVANIZED ANCHOR BOLTS. EACH BOLT SUPPLIED WITH TWO NUTS AND TWO WASHERS. ANCHORAGE IS FASTENED THROUGH HAND HOLE.

FINISH

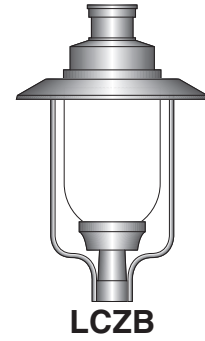
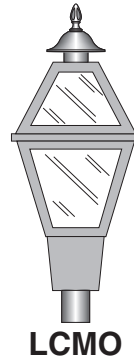
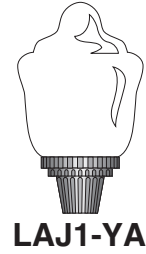
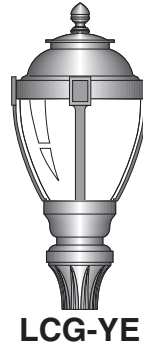
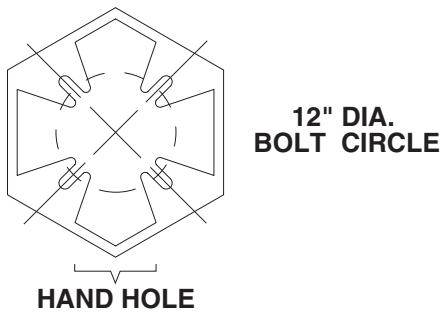
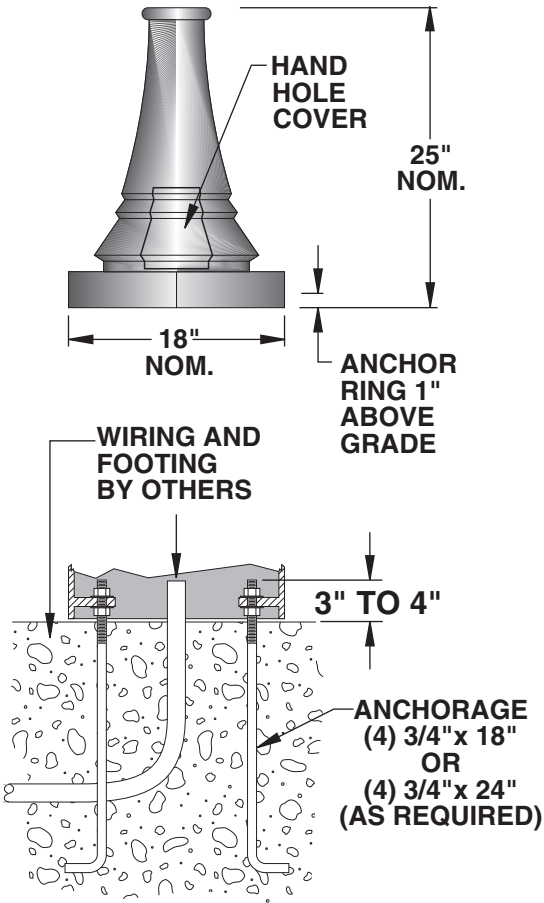
ELECTROSTATICALLY APPLIED BAKED ON TEXTURED ACRYLIC ENAMEL. (SEE PAGE 5 FOR OPTIONAL FINISH AND COLOR SELECTION)



4800 BASE

SUGGESTED LUMINAIRES

4
3
2
1
0
4
3
2
1
0
4
3
2
1
0
FT.



SEE LUMINAIRE SECTION FOR ADDITIONAL STYLES