

BASE

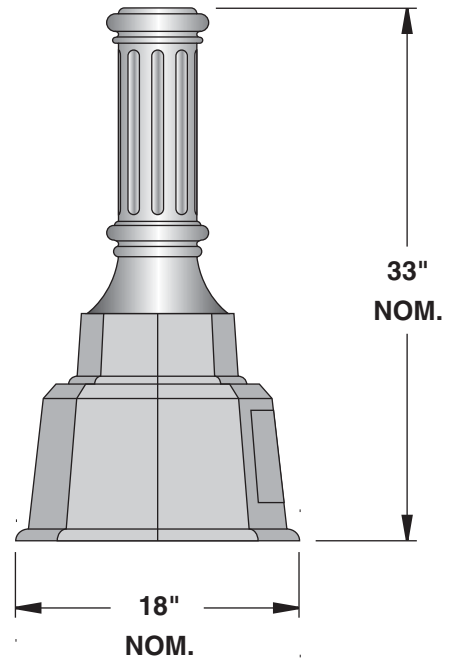
ONE PIECE CORROSION RESISTANT, DURABLE CAST ALUMINUM CONSTRUCTION, MINIMUM .210 WALL THICKNESS. BASE CONSISTS OF AN OCTAGONAL, STEPPED BOTTOM SECTION WITH HAND HOLE AND A DECORATIVE FLUTED SECTION CONSISTING OF EVENLY SPACED, HIGHLY DETAILED RAISED VERTICAL FLUTES. HAND HOLE COVER SUPPLIED WITH TAMPER RESISTANT HARDWARE.

ANCHORAGE

A 3/4" CAST ALUMINUM ANCHOR RING IS WELDED 1" ABOVE BOTTOM OF BASE TO ACCEPT (4) FULLY GALVANIZED ANCHOR BOLTS. EACH BOLT SUPPLIED WITH TWO NUTS AND TWO WASHERS. ANCHORAGE IS FASTENED THROUGH HAND HOLE.

FINISH

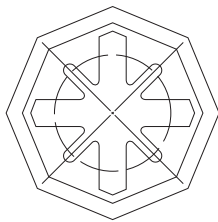
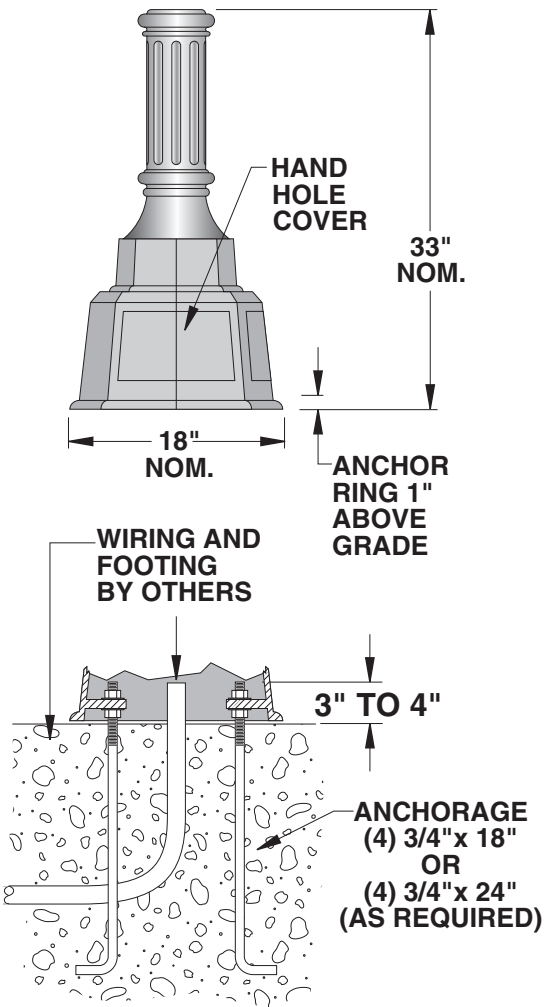
ELECTROSTATICALLY APPLIED BAKED ON TEXTURED ACRYLIC ENAMEL. (SEE PAGE 5 FOR OPTIONAL FINISH AND COLOR SELECTION)



5100 BASE

SUGGESTED LUMINAIRES

4
3
2
1
0
4
3
2
1
0
4
3
2
1
0
4
3
2
1
0
4
3
2
1
0
FT.



HAND HOLE

GLRCH-YD	LAE1-YA
LCH1	CTRR
DSC1	LG18-YC

SEE LUMINAIRE SECTION FOR ADDITIONAL STYLES