



**BASE**

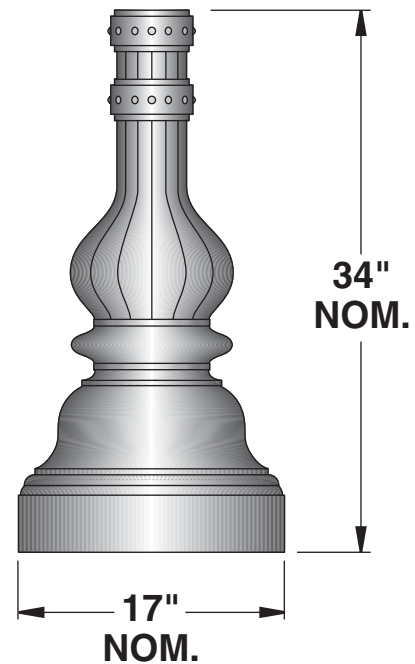
600

## BASE

ONE PIECE CORROSION RESISTANT, DURABLE CAST ALUMINUM CONSTRUCTION. MINIMUM .220 WALL THICKNESS. BASE CONSISTS OF A SMOOTH, STEPPED BOTTOM SECTION WITH FLUSH HAND HOLE AND A DECORATIVE TAPERED FLUTED SECTION CONSISTING OF EVENLY SPACED, HIGHLY DETAILED RAISED VERTICAL FLUTES. HAND HOLE COVER SUPPLIED WITH TAMPER RESISTANT HARDWARE. GROUNDING LUG PROVIDED INSIDE BASE OPPOSITE HAND HOLE.

## ANCHORAGE

A 3/4" CAST ALUMINUM ANCHOR RING IS WELDED 1" ABOVE BOTTOM OF BASE TO ACCEPT (4) FULLY GALVANIZED ANCHOR BOLTS. EACH BOLT SUPPLIED WITH TWO NUTS AND TWO WASHERS. ANCHORAGE IS FASTENED THROUGH HAND HOLE.



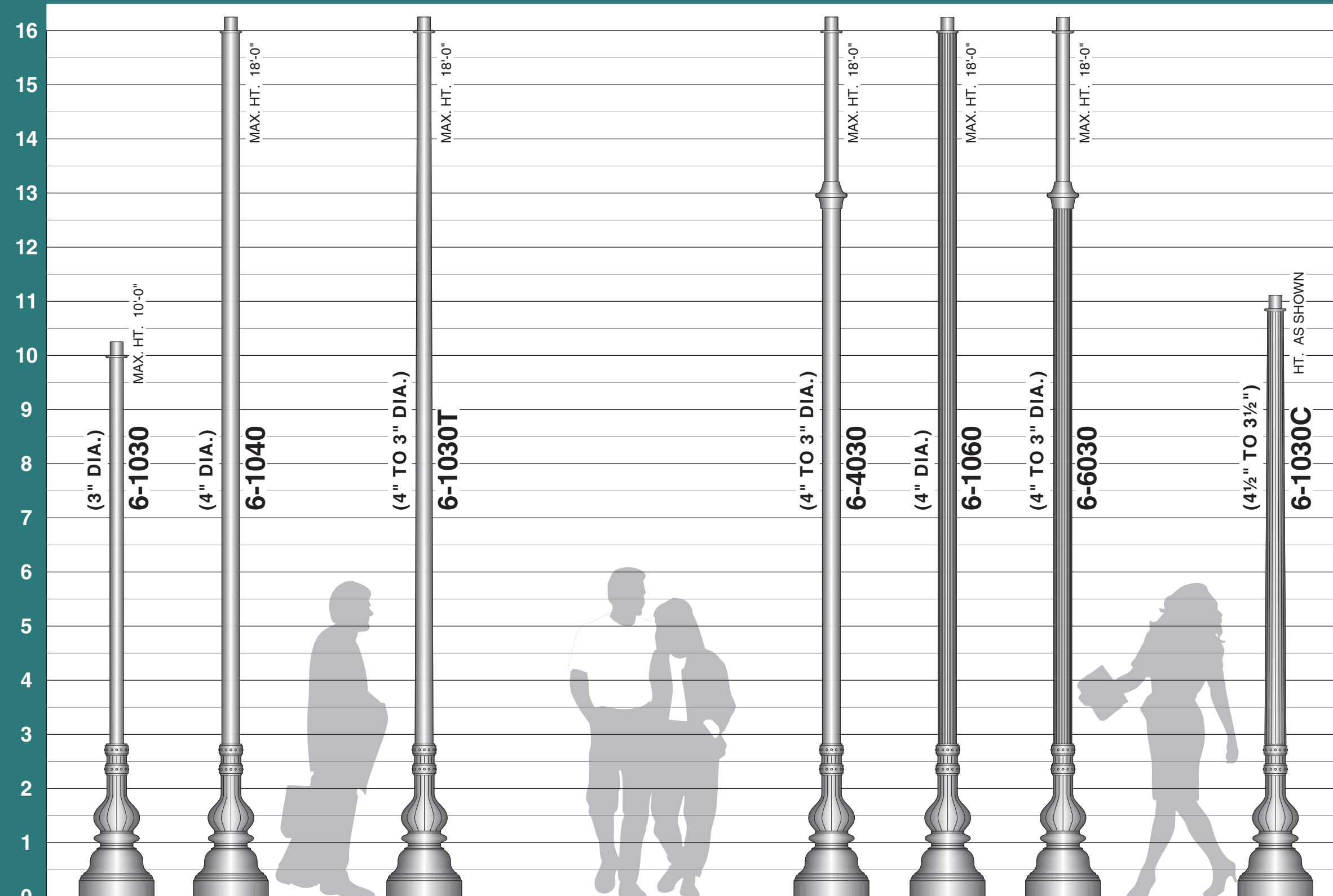
## FINISH

ELECTROSTATICALLY APPLIED BAKED ON TEXTURED ACRYLIC ENAMEL. (SEE PAGE 5 FOR OPTIONAL FINISH AND COLOR SELECTION)



# POLE ACCESSORIES

(SPECIFY AS SUFFIX TO CAT. NO.)



**SHAFT IS CIRCUMFERENTIALLY WELDED TO BASE FOR ONE PIECE CONSTRUCTION**  
 SEE SHAFT SECTION FOR SPECIFICATIONS AND ADDITIONAL STYLES

- TENONS**
- STANDARD: 2 7/8" O.D.
  - OPTIONS: 2 3/8" O.D.
  - 3 1/2" O.D.
- PT23**
  - PT31**
  - DUP** DUPLEX OR G.F.I. RECEPTACLE WITH COVER
  - GFI**
  - RBA** FIELD ROTATABLE OR FIXED BANNER ARM
  - FBA**
  - BEB** BANNER EYE BOLT
  - BBA** BREAK AWAY BANNER ARM
  - RBH** FIELD ROTATABLE OR FIXED BASKET HOLDER
  - FBH**
  - RSS** FIELD ROTATABLE STREET SIGN
  - RLR** FIELD ROTATABLE LADDER REST (20" width)
  - RFH** FIELD ROTATABLE OR FIXED FLAG HOLDER (1 3/8" I.D.)
  - FFH**



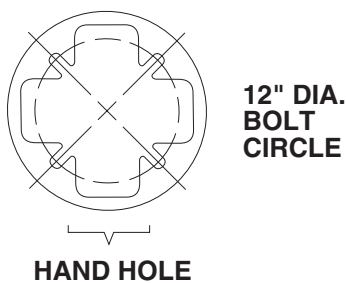
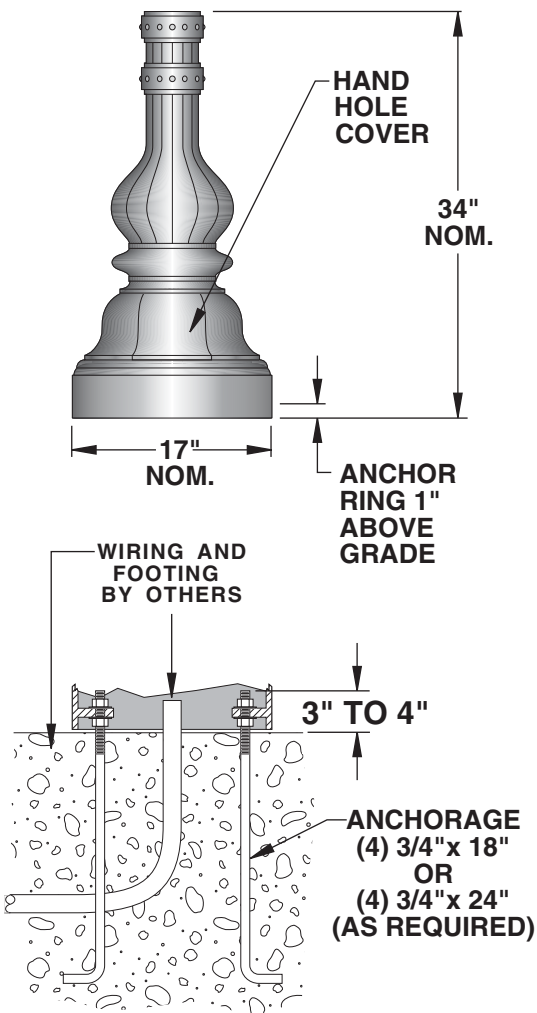
**sun valley**  
LIGHTING

660 WEST AVENUE O, PALMDALE, CA 93551  
 (661) 233-2000  
 FAX (661) 233-2001  
 www.sunvalleylighting.com



SUGGESTED LUMINAIRES

4  
3  
2  
1  
0  
4  
3  
2  
1  
0  
4  
3  
2  
1  
0  
FT.



LAE1-YE	LCJ1
LAF1-YA	LCT-YM
LG18-YC	DST1

SEE LUMINAIRE SECTION FOR ADDITIONAL STYLES