

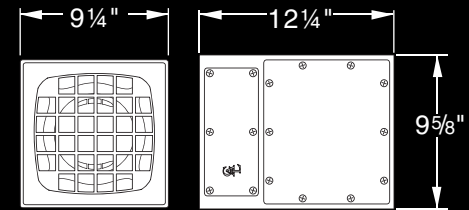
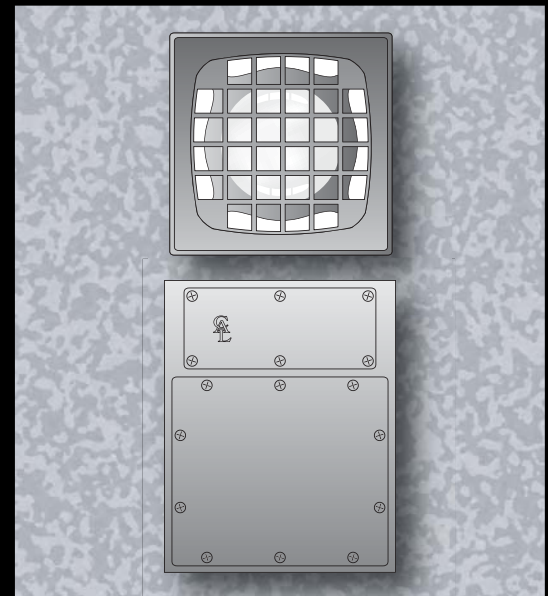
6524

WELL LIGHT FIXTURE

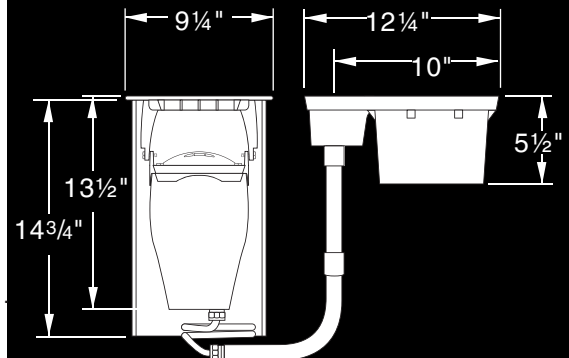
SPECIFICATIONS

- FIXTURE:** ALUMINUM-CONSTRUCTED OF PRIMARY 356 CAST ALUMINUM ALLOY.
- LENS:** CLEAR-CONVEX, 1/4" TEMPERED GLASS.
- GASKETING:** LENS GASKET-50 S.D.H. "A" SCALE HIGH TEMPERATURE EXTRUDED SILICONE. SPLICE/BALLAST COMPARTMENT GASKET-60 S.D.H. "A" SCALE-DIE CUT NEOPRENE.
- LAMP HOLDER:** 4KV PORCELAIN MEDIUM BASE.
- LAMP:** (BY OTHERS)
- BALLAST:** HIGH POWER FACTOR AUTOTRANSFORMER -20° F STARTING TEMPERATURE.
- FASTENERS:** 18-8 STAINLESS STEEL OR SILICONE BRONZE.
- WIRING COMPONENTS:** 14 GAUGE 200°C TEMPERATURE RATING. 1/4"-20 GROUNDING LUG PROVIDED.
- CONDUIT:** STANDARD 3/4" SWEEP AND CONNECTOR SECTION PROVIDED FROM THE SPLICE COMPARTMENT TO THE BOTTOM OF THE TRANSITE TUBE.
- SPLICE BOX:** CONSTRUCTED OF PRIMARY 356 CAST ALUMINUM. TWO (2) 3/4" NPT CONDUIT ENTRIES PROVIDED AT BOTTOM. (INC MODEL)
- BALLAST BOX:** CONSTRUCTED OF PRIMARY 356 CAST ALUMINUM. TWO (2) 3/4" NPT CONDUIT ENTRIES PROVIDED AT BOTTOM OF THE SPLICE COMPARTMENT. BALLAST COMPARTMENT ISOLATED FROM SPLICE COMPARTMENT BY AN ANTI-WICKING CHAMBER WHICH IS SEALED WITH AN EPOXY BASED RESIN. (HID MODEL)
- TRANSITE:** HEAVY WALL ABS PIPE (8" ID. DIAMETER)
- FINISH:** 3 MILS TGIC THERMOSET EPOXY POWDER COATING. TRANSITE TUBE-NATURAL COATING.
- TESTING:** FACTORY UNDER WATER POROSITY PRESSURE TEST TO 10 P.S.I.
- FACTORY CERTIFIED UNDER WATER LEAK PREVENTION TEST ON 100% OF ALL FINISHED GOODS.

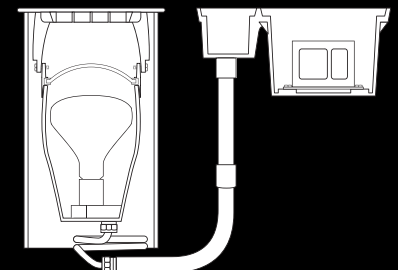
ETL LISTED FOR WET LOCATION AND CONCRETE POUR APPLICATIONS.



TOP VIEW



SIDE VIEW



CROSS SECTION

6524

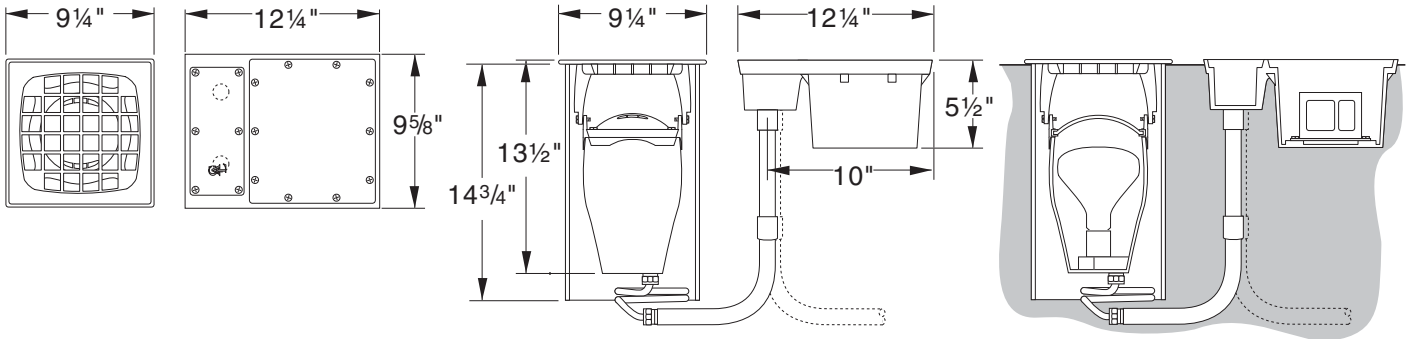
WELL LIGHT FIXTURE

TYPE: _____

TOP VIEW

SIDE VIEW

CROSS SECTION



ORDERING INFORMATION

MODEL NO. :
6524

PART NUMBERS

FINISH

PART NUMBERS

FINISH

6
5
2
4

- 6524-INC., PAR 38, 250W
- 6524-INC., R-40, 300W
- 6524-MV 50, E-17, 50W
- 6524-MV 75, E-17, 75W
- 6524-MV 100, PAR 38, 100W
- 6524-MV 175, R-40, 175W
- 6524-HPS-35, E-17, 35W
- 6524-HPS-50, E-17, 50W
- 6524-HPS-70, E-17, 70W
- 6524-HPS-100, E-17, 100W
- 6524-HPS-150, E-17, 150W
- 6524-MH 35, PAR 20/30, 35W
- 6524-MH 50, E-17, 50W
- 6524-MH-70, PAR 38, 70W
- 6524-MH-100, PAR 38, 100W
- 6524-MH-150, PAR 38, 150W
- 6524-MH 175, R-40, 175W

- DARK BRONZE. . . . DB
(STANDARD COLOR)
- BLACK.BK
- WHITE.WT
- ALUMINUM.AL

US ARCHITECTURAL. RESERVES THE RIGHT TO MAKE CONTINUED PRODUCT DESIGN AND CONSTRUCTION IMPROVEMENTS WHICH MAY AFFECT THE PRODUCT ILLUSTRATED

