

# 7030

## ACCENT FIXTURE

### SPECIFICATIONS

**FIXTURE:** DIECAST ALUMINUM CONSTRUCTION. FIXTURE SUPPLIED WITH 1/2" NPT DIE CAST ALUMINUM ADJUSTABLE KNUCKLE.

**LENS:** CLEAR CONVEX, 1/4" TEMPERED GLASS.

**GASKETING:** LENS GASKET-"A" SCALE HIGH TEMPERATURE SILICONE.  
SPLICE/BALLAST COMPARTMENT GASKET-60 S.D.H. "A" SCALE-DIE CUT NEOPRENE.

**LAMP HOLDER:** HID., INC. AND FLUORESCENT.-4KV PORCELAIN MEDIUM BASE.

**LAMP:** (BY OTHERS)

**BALLAST:** HIGH POWER FACTOR AUTOTRANSFORMER -20°F STARTING TEMPERATURE.

**FASTENERS:** 18-8 STAINLESS STEEL.

**WIRING COMPONENTS:** 14 GAUGE 200°C TEMPERATURE RATING. 1/4"-20 GROUNDING LUG PROVIDED.

**SPLICE BOX:** CONSTRUCTED OF PRIMARY 356 CAST ALUMINUM. ONE (1) 1/2" NPT MOUNTING ENTRY PROVIDED AT TOP, AND TWO (2) 3/4" NPT CONDUIT ENTRIES AT BOTTOM.  
(INC MODEL)  
(OPTIONAL)

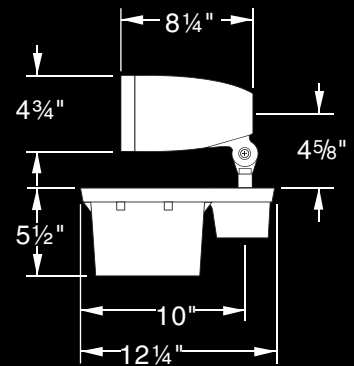
**BALLAST BOX:** CONSTRUCTED OF PRIMARY 356 CAST ALUMINUM. ONE (1) 1/2" NPT MOUNTING ENTRY PROVIDED AT TOP OF THE SPLICE COMPARTMENT, TWO (2) 3/4" NPT CONDUIT ENTRIES PROVIDED AT BOTTOM. BALLAST COMPARTMENT ISOLATED FROM SPLICE COMPARTMENT BY AN ANTI-WICKING CHAMBER WHICH IS SEALED WITH AN EPOXY BASED RESIN.

**FINISH:** 3 MILS TGIC THERMOSET EPOXY POWDER COATING.

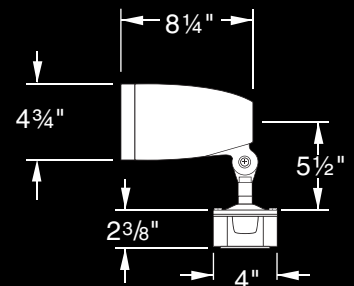
**TESTING:** FACTORY UNDER WATER POROSITY PRESSURE TEST TO 10 P.S.I. ON BALLAST BOX.

FACTORY CERTIFIED LEAK PREVENTION TEST ON 100% OF ALL FINISHED GOODS.

ETL LISTED FOR WET LOCATION AND CONCRETE POUR APPLICATIONS.



7030 (H.I.D.)



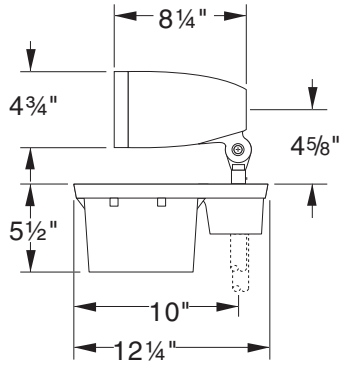
7030 (INC.)

# 7030

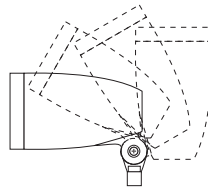
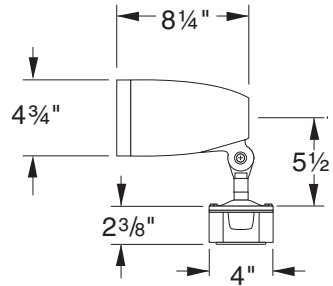
ACCENT FIXTURE

TYPE: \_\_\_\_\_

7030 (H.I.D.)



7030 (INC.)



Field Adjustable to 90°

## ORDERING INFORMATION

MODEL NO.: 7030

MODEL NO.:

7  
0  
3  
0

PART NUMBERS

### PART NUMBERS

- 7030-INC., PAR 30, 75W
- 7030-INC., R-30, 75W
- 7030-Q., PAR-16, 75W
- 7030-Q., PAR-30, 75W
- 7030-FL17, SLS17-R30, 17W
- 7030-MH 35, R-30, 35W
- 7030-MH 70, R-30, 70W

FINISH

### FINISH

- DARK BRONZE. . . . DB  
(STANDARD COLOR)
- BLACK. . . . .BK
- WHITE. . . . .WT
- ALUMINUM. . . . .AL

US ARCHITECTURAL. RESERVES THE RIGHT TO MAKE CONTINUED PRODUCT DESIGN AND CONSTRUCTION IMPROVEMENTS WHICH MAY AFFECT THE PRODUCT ILLUSTRATED

