

# 7040

## ACCENT FIXTURE

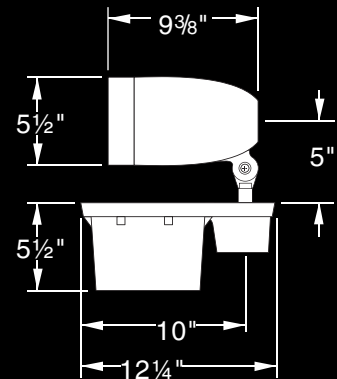
### SPECIFICATIONS

- FIXTURE:** DIECAST ALUMINUM CONSTRUCTION. FIXTURE SUPPLIED WITH 1/2" NPT DIE CAST ALUMINUM ADJUSTABLE KNUCKLE.
- LENS:** CLEAR CONVEX, 1/4" TEMPERED GLASS.
- GASKETING:** **LENS GASKET-**"A" SCALE HIGH TEMPERATURE SILICONE.  
**SPLICE/BALLAST COMPARTMENT GASKET-**60 S.D.H. "A" SCALE-DIE CUT NEOPRENE.
- LAMP HOLDER:** **HID., INC. AND FLUORESCENT.-**4KV PORCELAIN MEDIUM BASE.
- LAMP:** (BY OTHERS)
- BALLAST:** HIGH POWER FACTOR AUTOTRANSFORMER -20°F STARTING TEMPERATURE.
- FASTENERS:** 18-8 STAINLESS STEEL.
- WIRING COMPONENTS:** 14 GAUGE 200°C TEMPERATURE RATING. 1/4"-20 GROUNDING LUG PROVIDED.
- SPLICE BOX:** CONSTRUCTED OF PRIMARY 356 CAST ALUMINUM. ONE (1) 1/2" NPT MOUNTING ENTRY PROVIDED AT TOP, AND TWO (2) 3/4" NPT CONDUIT ENTRIES AT BOTTOM.  
(INC MODEL)  
(OPTIONAL)
- BALLAST BOX:** CONSTRUCTED OF PRIMARY 356 CAST ALUMINUM. ONE (1) 1/2" NPT MOUNTING ENTRY PROVIDED AT TOP OF THE SPLICE COMPARTMENT, TWO (2) 3/4" NPT CONDUIT ENTRIES PROVIDED AT BOTTOM. BALLAST COMPARTMENT ISOLATED FROM SPLICE COMPARTMENT BY AN ANTI-WICKING CHAMBER WHICH IS SEALED WITH AN EPOXY BASED RESIN.
- FINISH:** 3 MILS TGIC THERMOSET EPOXY POWDER COATING.

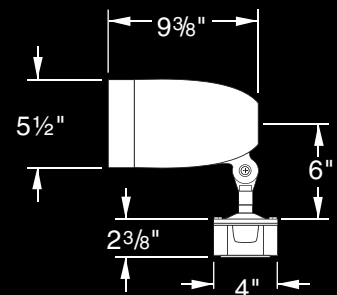
**TESTING:** FACTORY UNDER WATER POROSITY PRESSURE TEST TO 10 P.S.I. ON BALLAST BOX.

FACTORY CERTIFIED LEAK PREVENTION TEST ON 100% OF ALL FINISHED GOODS.

ETL LISTED FOR WET LOCATION AND CONCRETE POUR APPLICATIONS.



7040 (H.I.D.)



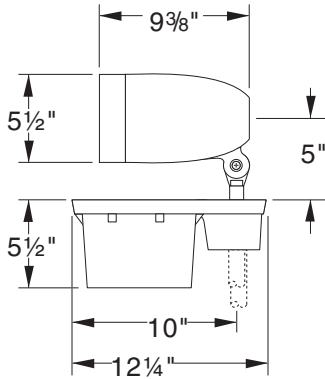
7040 (INC.)

# 7040

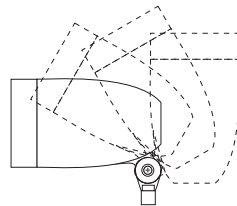
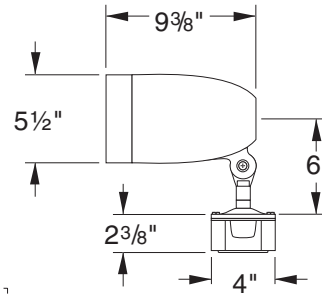
ACCENT FIXTURE

TYPE: \_\_\_\_\_

7040 (H.I.D.)



7040 (INC.)



Field Adjustable to 90°

## ORDERING INFORMATION

MODEL NO.: 7040

MODEL NO.:

7  
0  
4  
0

PART NUMBERS

### PART NUMBERS

- 7040-INC., R-40, 300W
- 7040-Q., PAR-38, 250W
- 7040-FL 15, SLS15/R40, 15W
- 7040-FL 20, SLS20/R40, 20W
- 7040-MV 100, PAR 38, 100W
- 7040-MH 35, R-30, 35W
- 7040-MH 70, PAR 38, 70W
- 7040-MH 100, PAR 38, 100W
- 7040-MH 150, PAR 38, 150W
- 7040-MH 175, R-40, 175W

FINISH

### FINISH

- DARK BRONZE . . . . DB  
(STANDARD COLOR)
- BLACK . . . . . BK
- WHITE . . . . . WT
- ALUMINUM . . . . . AL

US ARCHITECTURAL. RESERVES THE RIGHT TO MAKE CONTINUED PRODUCT DESIGN AND CONSTRUCTION IMPROVEMENTS WHICH MAY AFFECT THE PRODUCT ILLUSTRATED

