

BASE

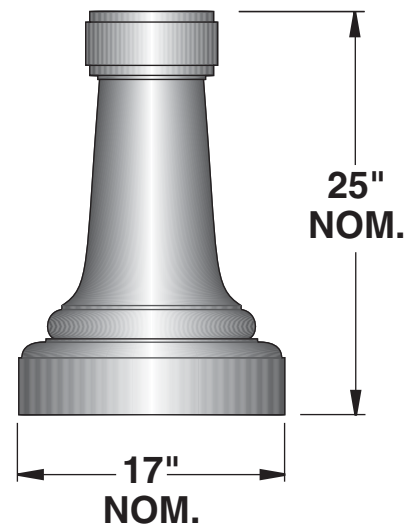
ONE PIECE CORROSION RESISTANT, DURABLE CAST ALUMINUM CONSTRUCTION. MINIMUM .210 WALL THICKNESS. BASE CONSISTS OF A SMOOTH, TAPERED BOTTOM SECTION, AND A SMOOTH TAPERED TOP SECTION, WITH A DECORATIVE CAST ALUMINUM COLLAR, AND A HAND HOLE COVER CONTOURED TO BASE DESIGN. HAND HOLE COVER SUPPLIED WITH TAMPER RESISTANT HARDWARE. GROUNDING LUG PROVIDED INSIDE BASE OPPOSITE HAND HOLE.

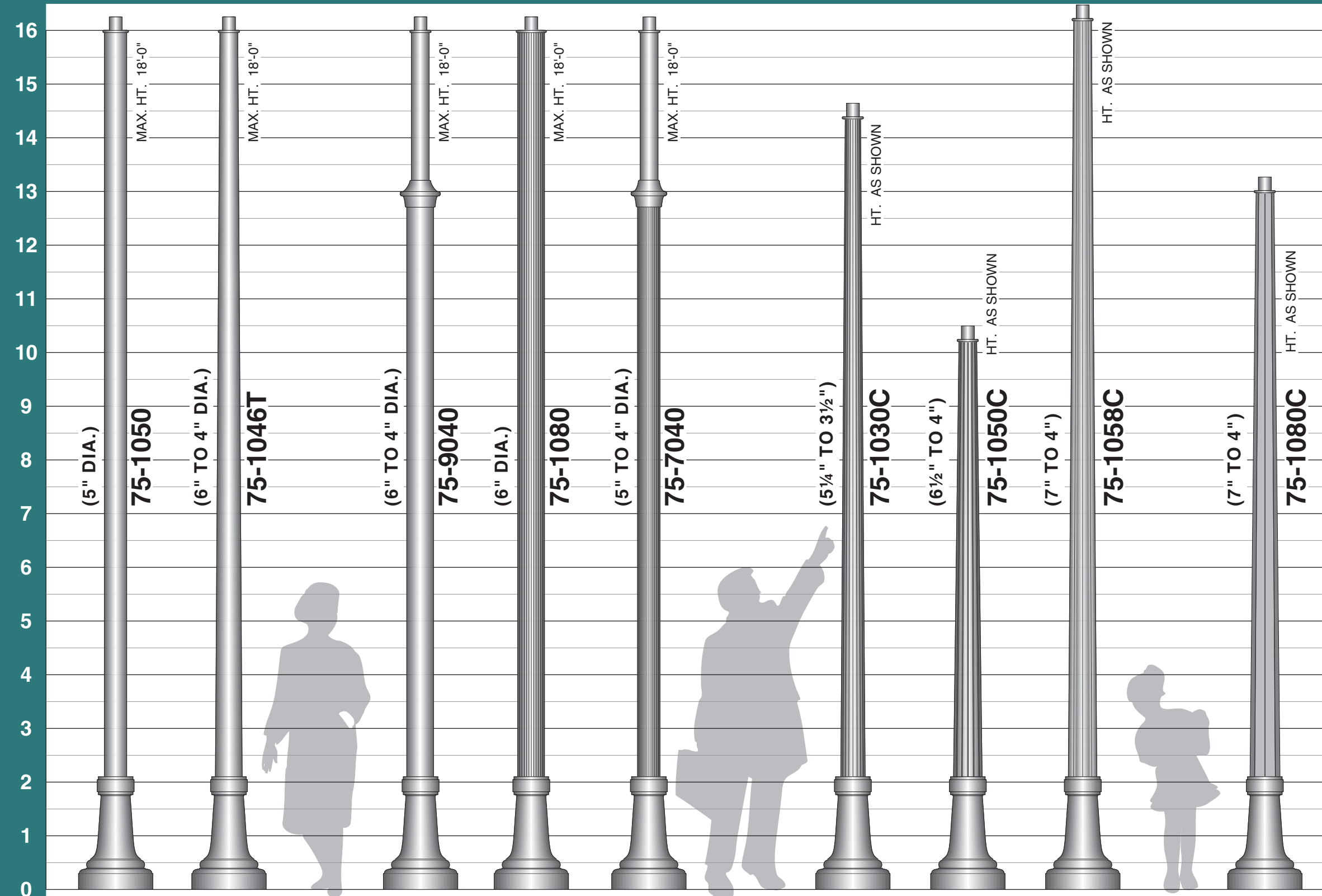
ANCHORAGE

A 3/4" CAST ALUMINUM ANCHOR RING IS WELDED 1" ABOVE BOTTOM OF BASE TO ACCEPT (4) FULLY GALVANIZED ANCHOR BOLTS. EACH BOLT SUPPLIED WITH TWO NUTS AND TWO WASHERS. ANCHORAGE IS FASTENED THROUGH HAND HOLE.

FINISH

ELECTROSTATICALLY APPLIED BAKED ON TEXTURED ACRYLIC ENAMEL. (SEE PAGE 5 FOR OPTIONAL FINISH AND COLOR SELECTION)



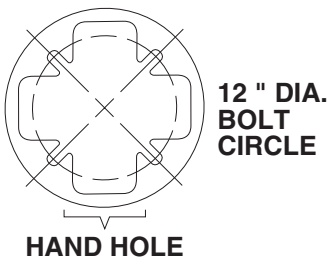
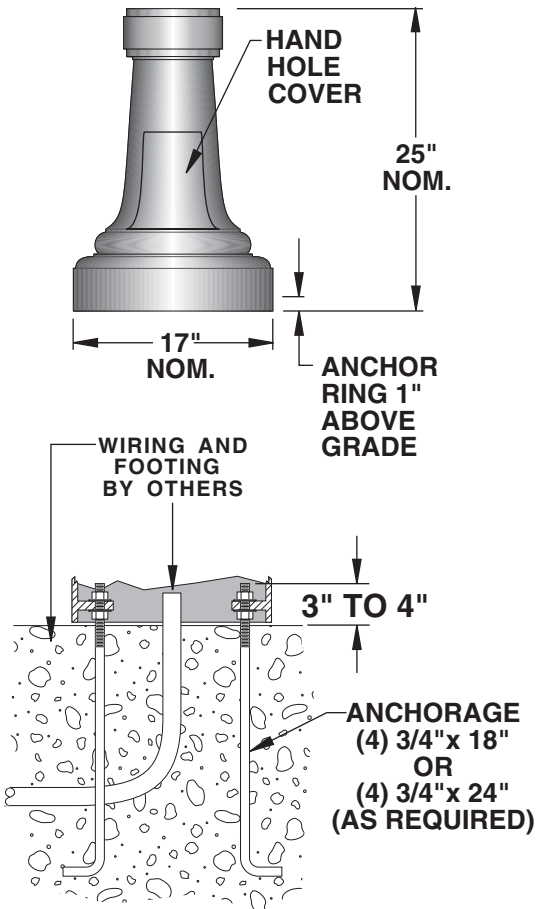


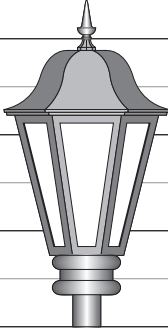
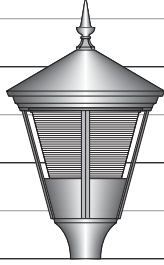
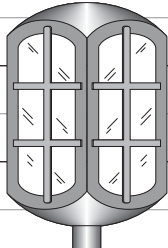
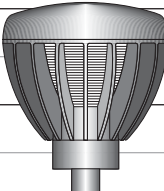
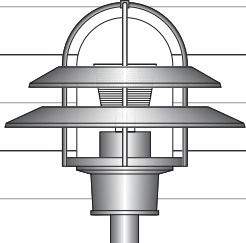
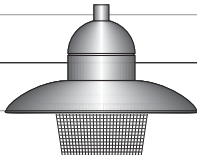
SHAFT IS CIRCUMFERENTIALLY WELDED TO BASE FOR ONE PIECE CONSTRUCTION
SEE SHAFT SECTION FOR SPECIFICATIONS AND ADDITIONAL STYLES

- ### TENONS
- STANDARD: 2 7/8" O.D.
 - OPTIONS: 2 3/8" O.D.
 - 3 1/2" O.D.
- PT23
 - PT31
 - DUP GFI
 - DUP OR G.F.I. RECEPTACLE WITH COVER
 - RBA
 - FBA
 - BEB
 - BBA
 - RBH
 - FBH
 - RSS
 - RLR
 - RFH
 - FFH
- FIELD ROTATABLE OR FIXED BANNER ARM
FIELD ROTATABLE OR FIXED BASKET HOLDER
FIELD ROTATABLE STREET SIGN
FIELD ROTATABLE LADDER REST
FIELD ROTATABLE OR FIXED FLAG HOLDER
- 1 3/8" I.D.

7500 BASE

SUGGESTED LUMINAIRES



		4
		3
		2
LCB-YJ	CTRR	1
		0
		4
		3
		2
LCX1	VNDL	1
		0
		4
		3
		2
OV1PT	DSHR1	1
		0
		4
		3
		2
		1
		0
		FT.

SEE LUMINAIRE SECTION FOR ADDITIONAL STYLES