

7534

ACCENT FIXTURE

SPECIFICATIONS

FIXTURE: CONSTRUCTED OF PRIMARY 356 CAST ALUMINUM.

LENS: CLEAR TEMPERED GLASS OR ACRYLIC TUBE.

GASKETING: **LENS GASKET-**"A" SCALE HIGH TEMPERATURE CLOSED CELL SILICONE.
SPLICE/BALLAST COMPARTMENT GASKET-60 S.D.H. "A" SCALE-DIE CUT SILICONE.

LAMP HOLDER: **HID. & INC.-** 4KV PORCELAIN MEDIUM BASE. **FLUORESCENT-SINGLE ENDED** BASE FOR 4-PIN COMPACT FLUORESCENT LAMP.

LAMP: (BY OTHERS)

BALLAST: **HID.-**HIGH POWER FACTOR AUTOTRANSFORMER -20° F STARTING TEMPERATURE.
FLUORESCENT-SOLID STATE ELECTRONIC HPF. -20°C STARTING TEMPERATURE.

FASTENERS: 18-8 STAINLESS STEEL .

WIRING COMPONENTS: 14 GAUGE 200°C TEMPERATURE RATING. 1/4"-20 GROUNDING LUG PROVIDED.

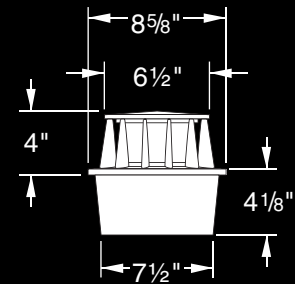
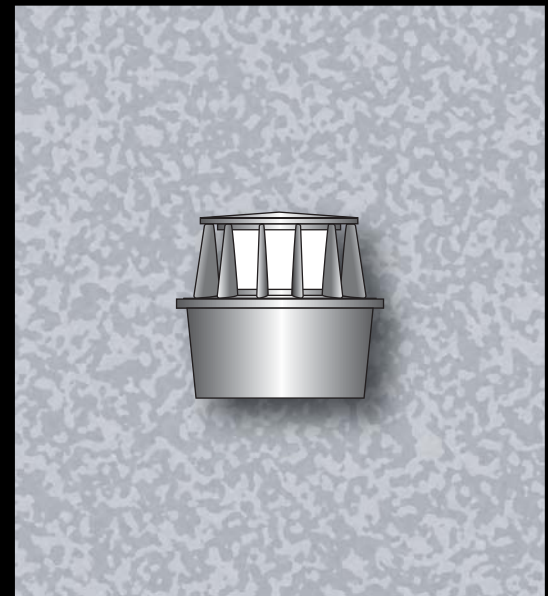
SPLICE COMPARTMENT: SPLICE COMPARTMENT PROVIDED WITH TWO (2) 1/2" NPT CONDUIT ENTRIES PROVIDED AT BOTTOM. SILICONE ELASTOMER COMPOUND (BY OTHERS), IS FIELD APPLIED TO SEAL SPLICE COMPARTMENT.

BALLAST COMPARTMENT: CONSTRUCTED OF PRIMARY 356 CAST ALUMINUM. ONE (1) 1/2" NPT MOUNTING ENTRY PROVIDED AT TOP OF THE SPLICE COMPARTMENT, TWO (2) 1/2" NPT CONDUIT ENTRIES PROVIDED AT BOTTOM. SILICONE ELASTOMER COMPOUND (BY OTHERS), IS FIELD APPLIED TO SEAL SPLICE COMPARTMENT. BALLAST COMPARTMENT ISOLATED FROM SPLICE COMPARTMENT BY AN ANTI-WICKING CHAMBER WHICH IS SEALED WITH AN EPOXY BASED RESIN.

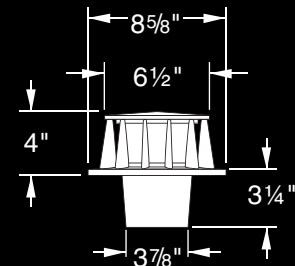
FINISH: 3 MILS TGIC THERMOSET EPOXY POWDER COATING.

TESTING: FACTORY CERTIFIED LEAK PREVENTION TEST ON 100% OF ALL FINISHED GOODS.

ETL LISTED FOR WET LOCATION AND CONCRETE POUR APPLICATION.



7534 (H.I.D.)



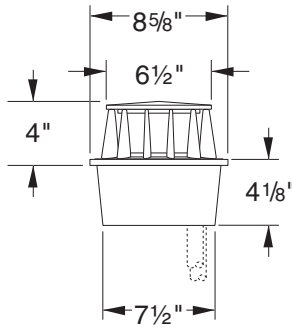
7534 (INC.)

7534

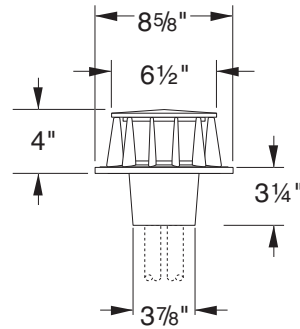
ACCENT FIXTURE

TYPE: _____

7534 (H.I.D.)



7534 (INC.)



ORDERING INFORMATION

MODEL NO. :
7534

MODEL NO. :

7
5
3
4

PART NUMBERS

PART NUMBERS

- 7534-INC., A-19, 100W
- 7534-FL-9, QTT, 9W
- 7534-FL-13, QTT, 13W
- 7534-MV 50, E-17, 50W
- 7534-MV 75, E- 17, 75W
- 7534-HPS-35, E-17, 35W
- 7534-HPS-50, E-17, 50W
- 7534-HPS-50, E-17, 50W
- 7534-HPS-70, E-17, 70W
- 7534-MH-50, E-17, 50W
- 7534-MH 70, E-17, 70W

FINISH

FINISH

- DARK BRONZE. . . . DB
(STANDARD COLOR)
- BLACK.BK
- WHITE.WT
- ALUMINUM.AL

US ARCHITECTURAL. RESERVES THE RIGHT TO MAKE CONTINUED PRODUCT DESIGN AND CONSTRUCTION IMPROVEMENTS WHICH MAY AFFECT THE PRODUCT ILLUSTRATED