



BASE

800

BASE

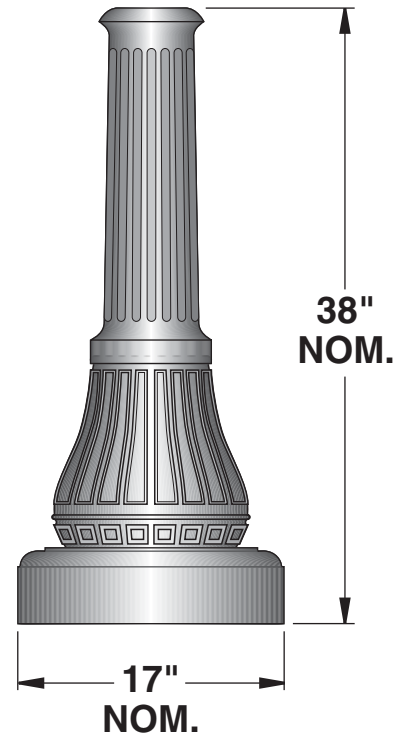
ONE PIECE CORROSION RESISTANT, DURABLE CAST ALUMINUM CONSTRUCTION, MINIMUM .210 WALL THICKNESS. BASE CONSISTS OF 16 HIGHLY DETAILED, EVENLY SPACED VERTICAL FLUTES TOPPED BY A SIMILARLY FLUTED RISER FOR DESIGN COMPATIBILITY. BASE CONTAINS A FLUTED HAND HOLE COVER CONTOURED TO BASE DESIGN. HAND HOLE COVER SUPPLIED WITH TAMPER RESISTANT HARDWARE. GROUNDING LUG PROVIDED INSIDE BASE OPPOSITE HAND HOLE.

ANCHORAGE

A 3/4" CAST ALUMINUM ANCHOR RING IS WELDED 1" ABOVE BOTTOM OF BASE TO ACCEPT (4) FULLY GALVANIZED ANCHOR BOLTS. EACH BOLT SUPPLIED WITH TWO NUTS AND TWO WASHERS. ANCHORAGE IS FASTENED THROUGH HAND HOLE.

FINISH

ELECTROSTATICALLY APPLIED BAKED ON TEXTURED ACRYLIC ENAMEL. (SEE PAGE 5 FOR OPTIONAL FINISH AND COLOR SELECTION)



sun valley
LIGHTING

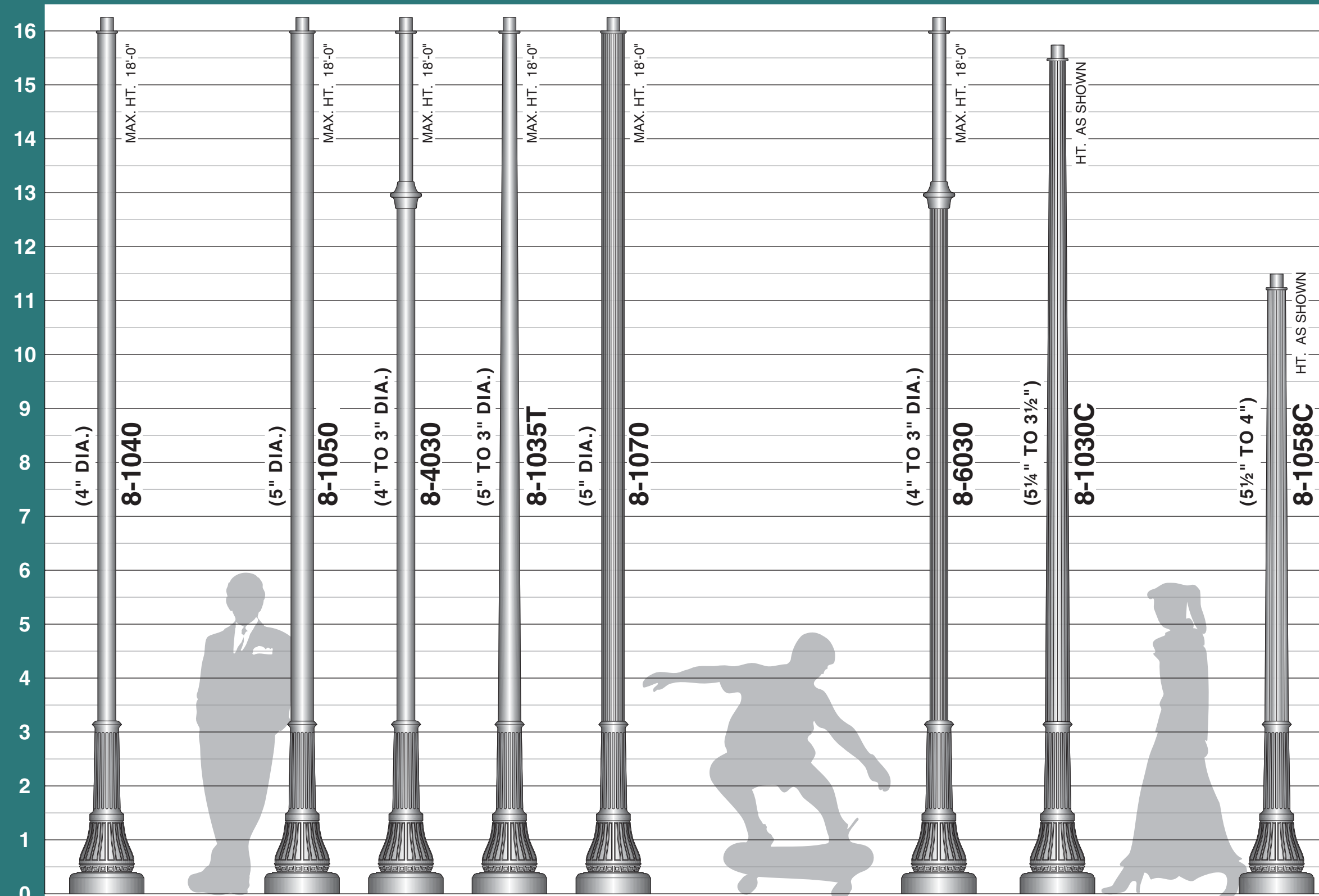
660 WEST AVENUE O, PALMDALE, CA 93551
(661) 233-2000
FAX (661) 233-2001
www.sunvalleylighting.com

B-33



POLE ACCESSORIES

(SPECIFY AS SUFFIX TO CAT. NO.)



SHAFT IS CIRCUMFERENTIALLY WELDED TO BASE FOR ONE PIECE CONSTRUCTION
 SEE SHAFT SECTION FOR SPECIFICATIONS AND ADDITIONAL STYLES

- TENONS**
- STANDARD: 2 7/8" O.D.
 - OPTIONS: 2 3/8" O.D.
 - 3 1/2" O.D.
- PT23
 - PT31
- DUPLEX OR G.F.I. RECEPTACLE WITH COVER
- DUP
 - GFI
- FIELD ROTATABLE OR FIXED BANNER ARM
- RBA
 - FBA
- BANNER EYE BOLT
- BEB
- BREAK AWAY BANNER ARM
- BBA
- FIELD ROTATABLE OR FIXED BASKET HOLDER
- RBH
 - FBH
- FIELD ROTATABLE STREET SIGN
- RSS
- FIELD ROTATABLE LADDER REST
- RLR
- FIELD ROTATABLE OR FIXED FLAG HOLDER
- RFH
 - FFH



sun valley
LIGHTING

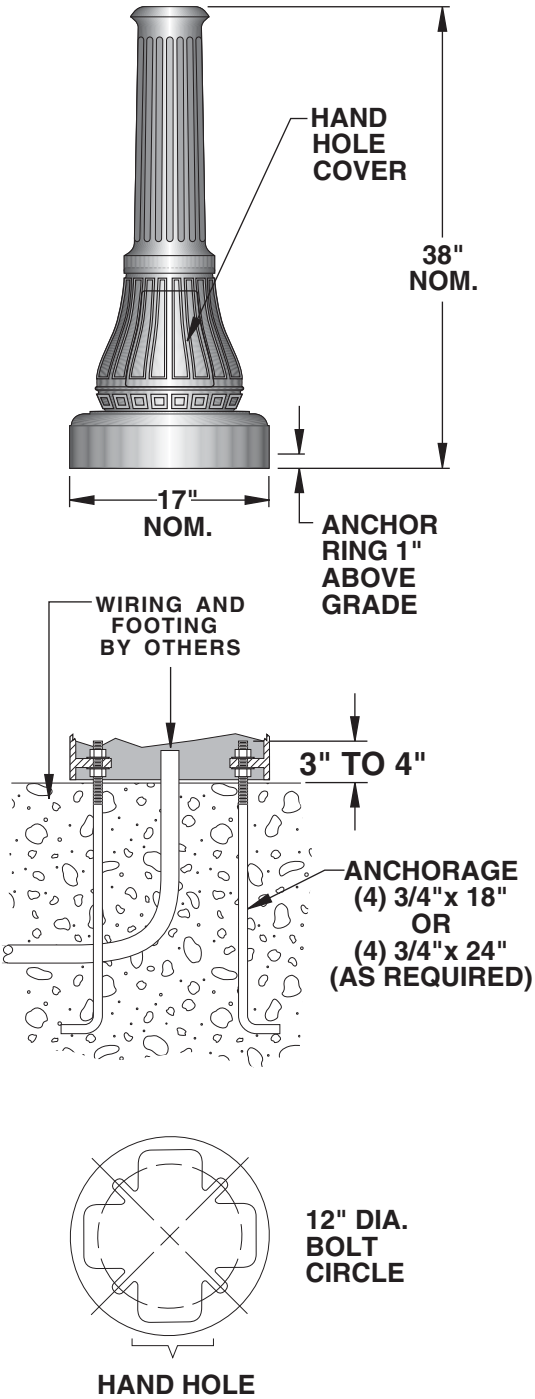
660 WEST AVENUE O, PALMDALE, CA 93551
 (661) 233-2000
 FAX (661) 233-2001
 www.sunvalleylighting.com



BASE



SUGGESTED LUMINAIRES



		4
LCGR-YH	LCF	3
		2
		1
		0
		4
LCW	LCAC	3
		2
		1
		0
		4
DSH1	RCGN18	3
		2
		1
		0

SEE LUMINAIRE SECTION FOR ADDITIONAL STYLES

4
3
2
1
0
4
3
2
1
0
4
3
2
1
0
FT.