



BASE

006

BASE

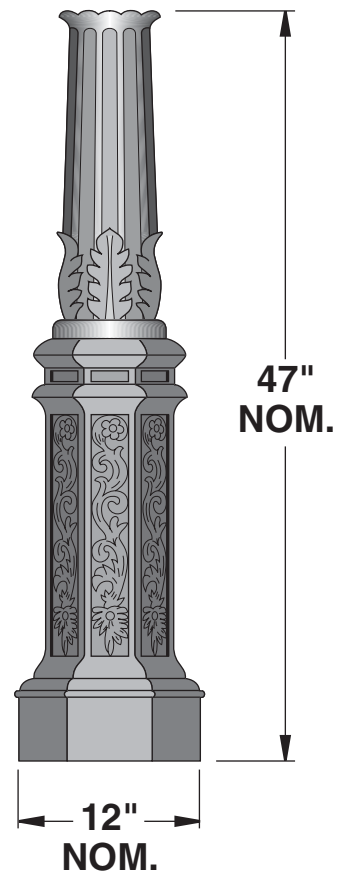
ONE PIECE CORROSION RESISTANT, DURABLE CAST ALUMINUM CONSTRUCTION. MINIMUM .210 WALL THICKNESS. BASE CONSISTS OF A HIGHLY DETAILED HEXAGONAL BOTTOM SECTION AND VERTICAL FLUTED TOP SECTION CONNECTED BY A DECORATIVE ROSETTE. BASE CONTAINS A HAND HOLE AND COVER CONTOURED TO BASE DESIGN COVER SUPPLIED WITH TAMPER RESISTANT HARDWARE. GROUNDING LUG PROVIDED INSIDE BASE OPPOSITE HAND HOLE.

ANCHORAGE

A 3/4" CAST ALUMINUM ANCHOR RING IS WELDED 1" ABOVE BOTTOM OF BASE TO ACCEPT (4) FULLY GALVANIZED ANCHOR BOLTS. EACH BOLT SUPPLIED WITH TWO NUTS AND TWO WASHERS. ANCHORAGE IS FASTENED THROUGH HAND HOLE.

FINISH

ELECTROSTATICALLY APPLIED BAKED ON TEXTURED ACRYLIC ENAMEL. (SEE PAGE 5 FOR OPTIONAL FINISH AND COLOR SELECTION)



sun valley
LIGHTING

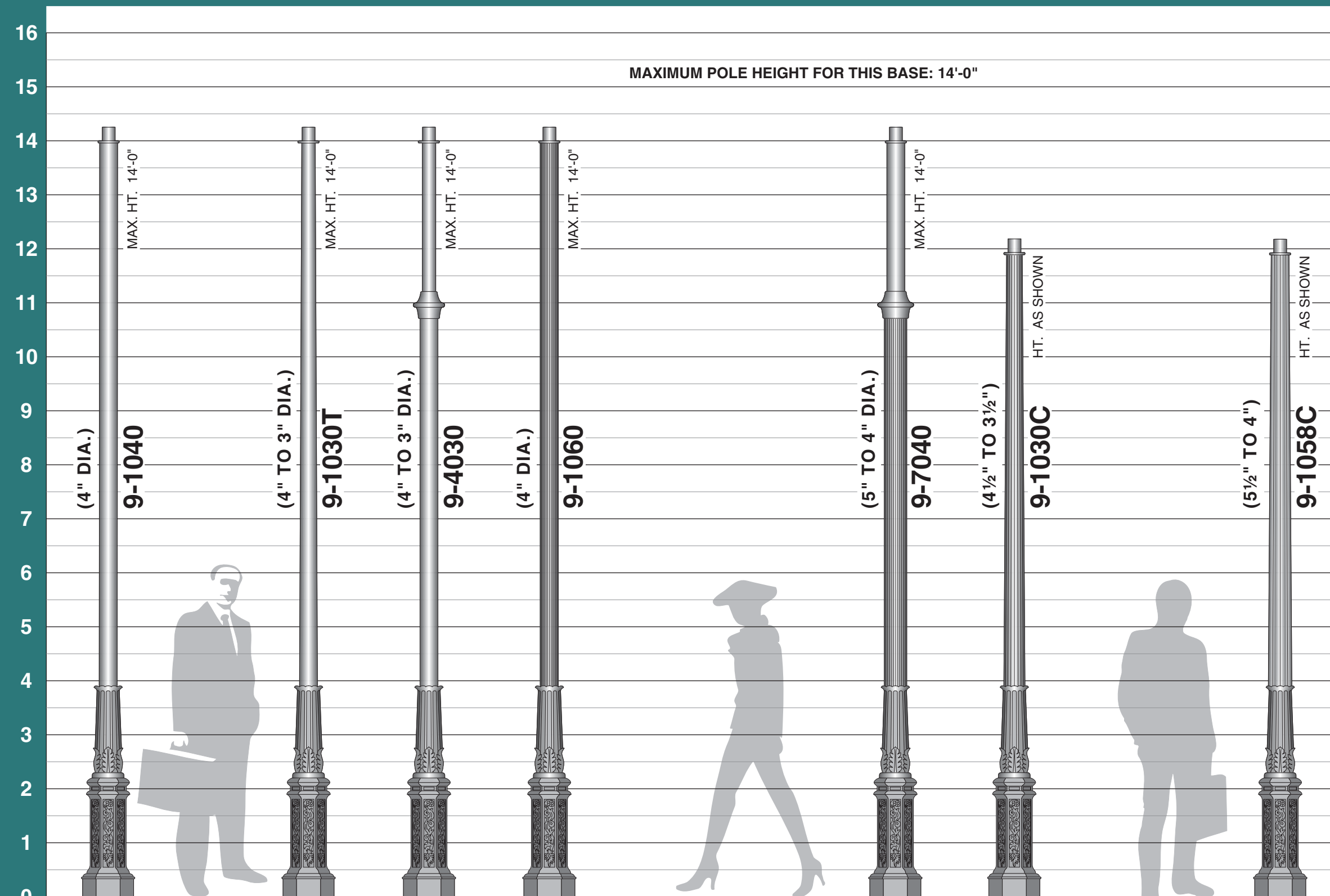
660 WEST AVENUE O, PALMDALE, CA 93551
(661) 233-2000
FAX (661) 233-2001
www.sunvalleylighting.com

B-37



BASE

POLE ACCESSORIES (SPECIFY AS SUFFIX TO CAT. NO.)



SHAFT IS CIRCUMFERENTIALLY WELDED TO BASE FOR ONE PIECE CONSTRUCTION
SEE SHAFT SECTION FOR SPECIFICATIONS AND ADDITIONAL STYLES

- TENONS**
- STANDARD: 2 7/8" O.D. PT23
 - OPTIONS: 2 3/8" O.D. PT31
 - 3 1/2" O.D.
 - DUPLEX OR G.F.I. RECEPTACLE WITH COVER DUP GFI
 - FIELD ROTATABLE OR FIXED BANNER ARM RBA
 - FBA
 - BANNER EYE BOLT BEB
 - BREAK AWAY BANNER ARM BBA
 - FIELD ROTATABLE OR FIXED BASKET HOLDER RBH
 - FBH
 - RSS
 - FIELD ROTATABLE STREET SIGN
 - FIELD ROTATABLE LADDER REST RLR
 - 20"
 - FIELD ROTATABLE OR FIXED FLAG HOLDER RFH
 - FFH

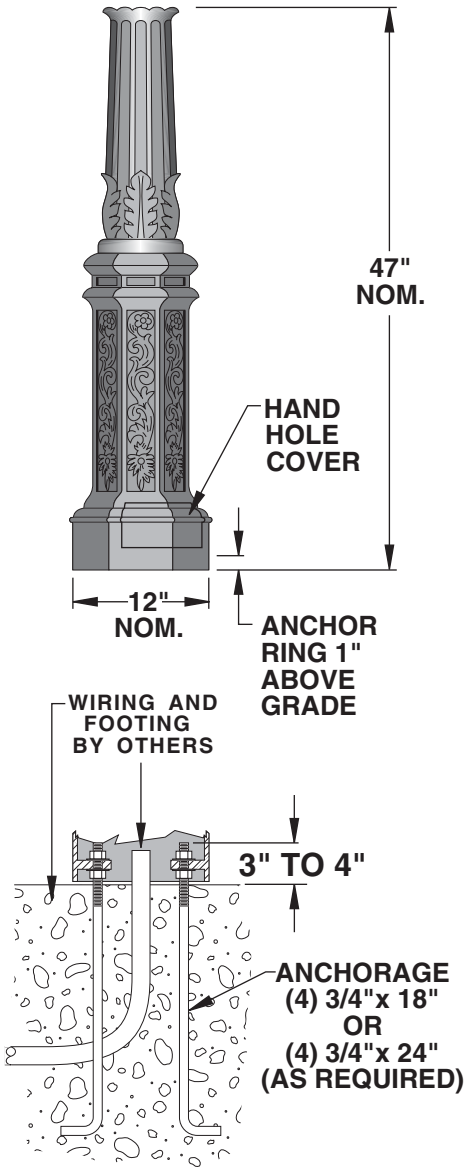


sun valley
LIGHTING

660 WEST AVENUE O, PALMDALE, CA 93551
(661) 233-2000
FAX (661) 233-2001
www.sunvalleylighting.com



SUGGESTED LUMINAIRES



		4
LAJ1-YG	LCC30	3
		2
		1
		0
		4
LCMO	LCN	3
		2
		1
		0
		4
DSA1	RCGN18	3
		2
		1
		0
		FT.

SEE LUMINAIRE SECTION FOR ADDITIONAL STYLES