

# SOLID STATE AREA LIGHTING

## B100 SERIES-LED

### SPECIFICATIONS

#### HOUSING and RISER

Durable, corrosion resistant cast aluminum (A356 alloy; < 0.2% Cu) base, riser and top cap, minimum .250" wall thickness. All visible welds are blended, all exposed hardware is stainless steel.

#### LED POWER ARRAY

Three-dimensional array consisting of 6 individual LED tubes fastened to a retaining plate equally spaced to provide 360° of even illumination output. Each LED tube consists of a circuit board populated with a multiple of LED's which is fastened to a radial aluminum heat sink. A white polycarbonate lens and end caps protect each LED tube's internal components and provides diffusion to prevent shadowing and striations.

#### INTERNAL LOUVER (IL)

A specular louver stack conceals the LED Power Array (with opal diffuse lens) module and provides uplight and glare control through the external clear injection molded polycarbonate lens.

#### OPAL LENS (WP)

Injection molded opal polycarbonate lens protects the LED Power Array Module (with opal diffuse lenses) and provides uniform illumination.

#### LED DRIVER

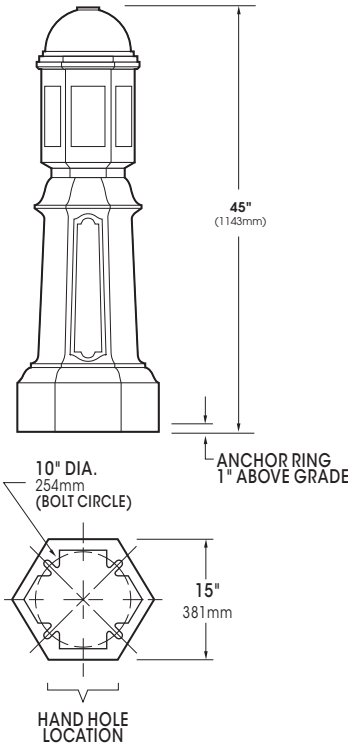
UL and cUL recognized High Power Factor, Constant Current LED drivers operate on input voltages from 120-277VAC, 50/60hz and is mechanically fastened to a retaining bracket. 347V and 480V options may utilize a step down transformer to the LED driver. Main power quick disconnect provided. Driver has a minimum 4KV of internal surge protection. Consult factory for other voltages. Dimming and High-Low Driver options available. 10KV & 20KV Surge Protector optional.

#### FINISH

Electrostatically applied TGIC Polyester Powder Coat on substrate prepared with 20 PSI power wash at 140°F. Four step media blast and iron phosphate pretreatment for protection and paint adhesion. 400°F bake for maximum hardness and durability.

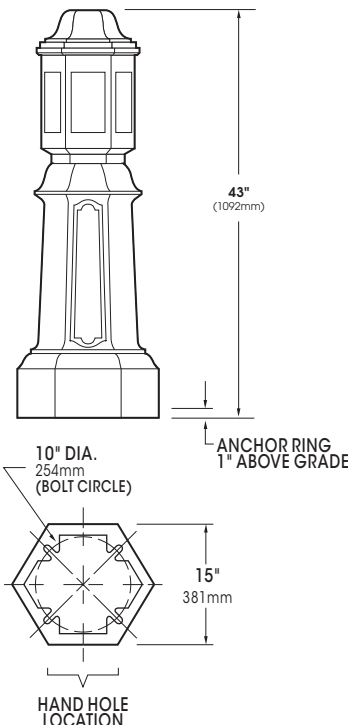
PROJECT NAME: \_\_\_\_\_

PROJECT TYPE: \_\_\_\_\_



## B1CL-CAP

PATENT PENDING



## B1CL-HCAP

PATENT PENDING

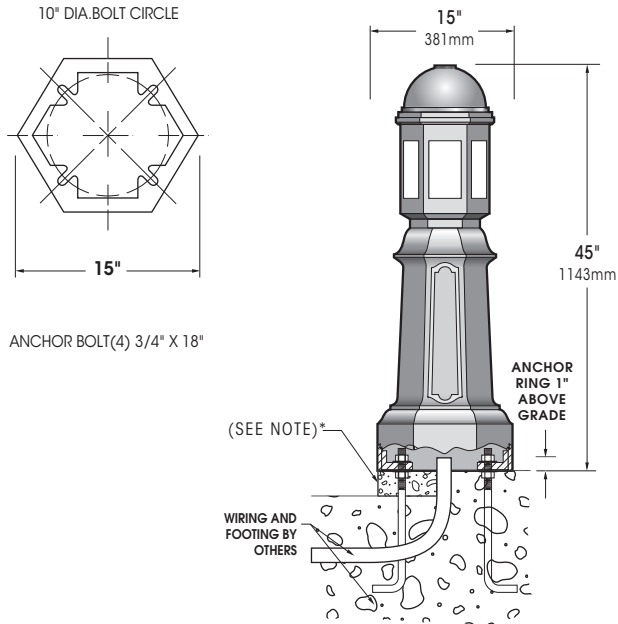


2014182

# B100 SERIES-LED

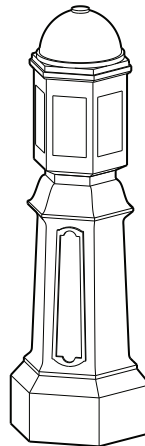
## S P E C I F I C A T I O N S

### GROUND MOUNTING

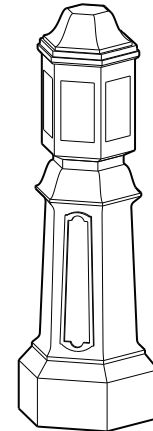


\*When mounting in soil, anchor bolt fasteners and other hardware must be protected from soil by grouting.

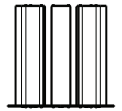
### LED MODULE



**B1CL-CAP-LED**  
VERTICAL POWER ARRAY™  
Available in:  
36 LED, 24 LED & 12 LED



**B1CL-HCAP-LED**  
VERTICAL POWER ARRAY™  
Available in:  
36 LED, 24 LED & 12 LED



VPA - Vertical Array

Spe/Order Example: B1CL-CAP-IL/24LEDWW208/RAL-8019-S/MBD

## L I G H T E D S P E C / O R D E R I N G I N F O R M A T I O N

MODEL	OPTICS	# of LED's	COLOR TEMP - CCT	VOLTAGE	FINISH	OPTIONS
<b>MODEL</b>	<b>OPTICS</b>	<b>LED</b>			<b>FINISH</b>	<b>OPTIONS</b>
<b>LIGHTED</b>	<b>VERTICAL POWER ARRAY</b>	<b># of LEDs</b>	<b>COLOR TEMP - CCT</b>	<b>VOLTAGE</b>	<b>STANDARD TEXTURED FINISH</b>	
<input type="checkbox"/> B1CL-CAP-CP <input type="checkbox"/> B1CL-CAP-WP <input type="checkbox"/> B1CL-CAP-CPA <input type="checkbox"/> B1CL-HCAP-CP <input type="checkbox"/> B1CL-HCAP-WP <input type="checkbox"/> B1CL-HCAP-CPA	<input type="checkbox"/> INTERNAL LOUVER ..... IL <sup>1</sup> <input type="checkbox"/> VERTICAL ARRAY ..... VPA-SYM <sup>2</sup>	<input type="checkbox"/> <b>36LED</b> (42 Watts) <input type="checkbox"/> <b>24LED</b> (28 Watts) <input type="checkbox"/> <b>12LED</b> (14 Watts) WATTS ARE MAX INPUT WATTS	<input type="checkbox"/> <b>NW</b> (4000K) Standard <input type="checkbox"/> <b>CW</b> (5000K) <input type="checkbox"/> <b>WW</b> (3000K) OTHER LED COLORS AVAILABLE CONSULT FACTORY	<input type="checkbox"/> <b>120</b> <input type="checkbox"/> <b>208</b> <input type="checkbox"/> <b>240</b> <input type="checkbox"/> <b>277</b> <input type="checkbox"/> <b>347</b> <input type="checkbox"/> <b>480</b>	<input type="checkbox"/> <b>BLACK RAL-9005-T</b> <input type="checkbox"/> <b>WHITE RAL-9003-T</b> <input type="checkbox"/> <b>GREY RAL-7004-T</b> <input type="checkbox"/> <b>DARK BRONZE RAL-8019-T</b> <input type="checkbox"/> <b>GREEN RAL-6005-T</b> FOR SMOOTH FINISH REPLACE SUFFIX "T" WITH SUFFIX "S" (EXAMPLE: RAL-9500-S) SEE USALTG.COM FOR ADDITIONAL COLORS	INTERNAL HOUSE SIDE SHIELD <input type="checkbox"/> 90° ..... <b>HS90</b> <input type="checkbox"/> 135° ..... <b>HS135</b> <input type="checkbox"/> 180° ..... <b>HS180</b> <input type="checkbox"/> DIMMABLE DRIVER(S) (0-10V) ..... <b>DIM</b> <input type="checkbox"/> HIGH-LOW DIMMING FOR HARDWIRED SWITCHING OR NON-INTEGRATED MOTION SENSOR ..... <b>HLSW</b> <input type="checkbox"/> 10KV SURGE PROTECTOR ..... <b>10SP</b> <input type="checkbox"/> 20KV SURGE PROTECTOR (240V & 480V Only) ..... <b>20SP</b> <input type="checkbox"/> DUPLEX RECEPTACLE ... <b>DUP</b> <input type="checkbox"/> GROUND FAULT RECEPTACLE ..... <b>GFI</b> <input type="checkbox"/> MAILBOX - SINGLE ..... <b>MBS</b> <input type="checkbox"/> MAILBOX - DOUBLE .... <b>MBD</b> <input type="checkbox"/> BOLLARD EYE BOLT .... <b>BEB</b>
<b>NOTES:</b> 1- USED WITH -CP AND -CPA LENSES ONLY 2- USED WITH -WP ONLY LENS ONLY						

# B100 SERIES-LED

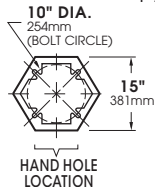
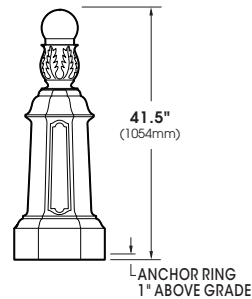
## S P E C I F I C A T I O N S

### HOUSING and RISER

Durable, corrosion resistant cast aluminum (A356 alloy; < 0.2% Cu) base, riser and top cap, minimum .250" wall thickness. All visible welds are blended, all exposed hardware is stainless steel.

### FINISH

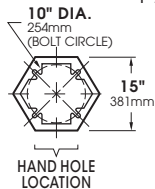
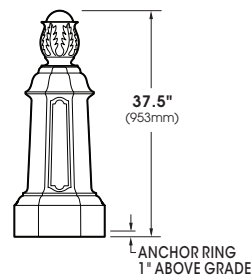
Electrostatically applied TGIC Polyester Powder Coat on substrate prepared with 20 PSI power wash at 140°F. Four step media blast and iron phosphate pretreatment for protection and paint adhesion. 400°F bake for maximum hardness and durability.



**B1C-BAL**



PATENT PENDING

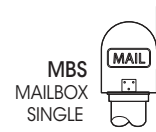


**B1C-CAP**



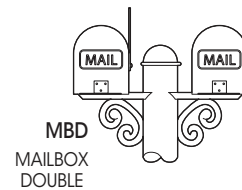
PATENT PENDING

## ACCESSORIES



**MBS**  
MAILBOX  
SINGLE

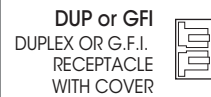
Mailboxes may be mounted post top or side mount.



**MBD**  
MAILBOX  
DOUBLE

Mailboxes are of durable, corrosion resistant, cast aluminum (A356 alloy; < .02% copper) and painted to match the decorative bollard.

Mailboxes include nonlocking pull latch and cast flag.



**DUP or GFI**  
DUPLX OR G.F.I.  
RECEPTACLE  
WITH COVER

Specify Duplex or GFCI receptacle to mount in the outlet provision. Standard cover supplied.



**BEB**  
BOLLARD  
EYE BOLT

Eyebolts for barrier chain or cord. Specify eyebolt(s) height and location.

Unlit Example: B1C-CAP/RAL-9005-S

## UNLIGHTED SPEC/ORDERING INFORMATION

MODEL	FINISH	ACCESSORIES
<p><b>MODEL</b></p> <p>UN-LIGHTED</p> <p><input type="checkbox"/> B1C-BAL</p> <p><input type="checkbox"/> B1C-CAP</p> <p>TO CONFIGURE, SHOW MODEL, FINISH AND ANY PERTINENT ACCESSORIES</p>	<p><b>FINISH</b></p> <p>STANDARD TEXTURED FINISH</p> <p><input type="checkbox"/> BLACK ..... RAL-9005-T</p> <p><input type="checkbox"/> WHITE ..... RAL-9003-T</p> <p><input type="checkbox"/> GREY ..... RAL-7004-T</p> <p><input type="checkbox"/> DARK BRONZE ..... RAL-8019-T</p> <p><input type="checkbox"/> GREEN ..... RAL-6005-T</p> <p>FOR SMOOTH FINISH REPLACE SUFFIX "T" WITH SUFFIX "S" (EXAMPLE: RAL-9500-S)</p> <p>SEE USALTG.COM FOR ADDITIONAL COLORS</p>	<p><b>ACCESSORIES</b></p> <p><input type="checkbox"/> MAILBOX - SINGLE ..... MBS</p> <p><input type="checkbox"/> MAILBOX-DOUBLE ..... MBD</p> <p><input type="checkbox"/> DUPLEX RECEPTACLE ..... DUP</p> <p><input type="checkbox"/> GROUND FAULT RECEPTACLE ..... GFI</p> <p>BOLLARD EYE BOLT</p> <p><input type="checkbox"/> SINGLE ..... BEB</p> <p><input type="checkbox"/> DOUBLE ..... BEB/2-180</p>