

H.I.D. AREA LIGHTING

B100 SERIES-HID

SPECIFICATIONS

HOUSING and RISER

Durable, corrosion resistant cast aluminum (A356 alloy; < 0.2% Cu) base, riser and top cap, minimum .250" wall thickness. All visible welds are blended, all exposed hardware is stainless steel.

LENS

All lenses are fully gasketed retained by aluminum clips.

- CA - Clear acrylic
- CP - Clear polycarbonate
- CPA - Clear patterned acrylic
- WA - Opal acrylic
- WP - Opal polycarbonate

INTERNAL LOUVER (IL)

A specular louver stack conceals the inner lamp and provides uplight and glare control through the external clear injection molded polycarbonate or clear patterned lens.

OPAL LENS

Injection molded opal acrylic (WA) or polycarbonate (WP) lens protects the internal lamp and provides uniform, diffuse illumination.

PRSMATIC GLASS REFRACTOR (PG)

Clear acrylic or polycarbonate lens surrounds a prismatic glass refractor (Type III and Type V).

ELECTRICAL MODULE

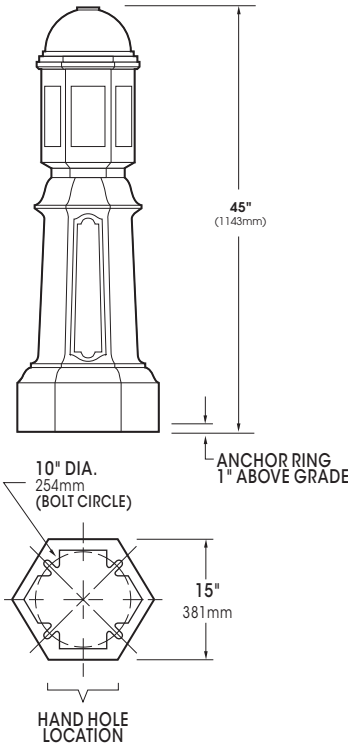
All electrical components are UL and cUL recognized are mounted on a single plate and factory prewired with quick-disconnect plugs. All HID lamps are medium base (E26) or Bi-pin Base (G12). Electronic MH ballasts have a power factor of >.95 (35/39W - 100W) -20°F starting, 120-277V and have lamp End-of-life protection. 347V option utilizes a step down transformer to the electronic ballast. Magnetic MH ballasts are high power factor (35/39W - 100W), -20°F starting, multi-tap 120-277V, 60Hz. All HPS ballasts are core and coil, high-reactance, high power factor (35/39W - 100W), -40°F starting. Electronic CFL ballasts are high power factor 120 - 277 voltage sensing. GX24-q4 socket supplied for all 18w - 42w triple tube lamps.

FINISH

Electrostatically applied TGIC Polyester Powder Coat on substrate prepared with 20 PSI power wash at 140°F. Four step media blast and iron phosphate pretreatment for protection and paint adhesion. 400°F bake for maximum hardness and durability.

PROJECT NAME: _____

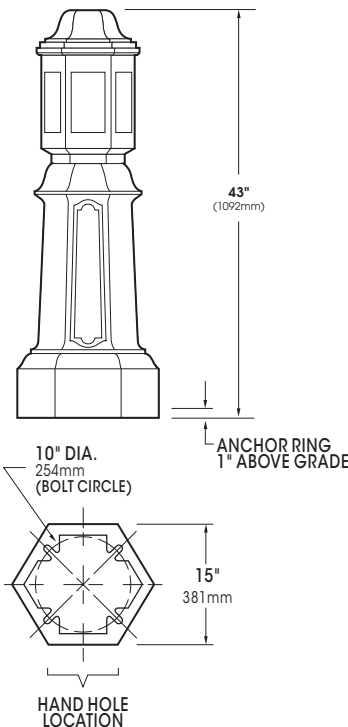
PROJECT TYPE: _____



B1CL-CAP



PATENT PENDING



B1CL-HCAP



PATENT PENDING

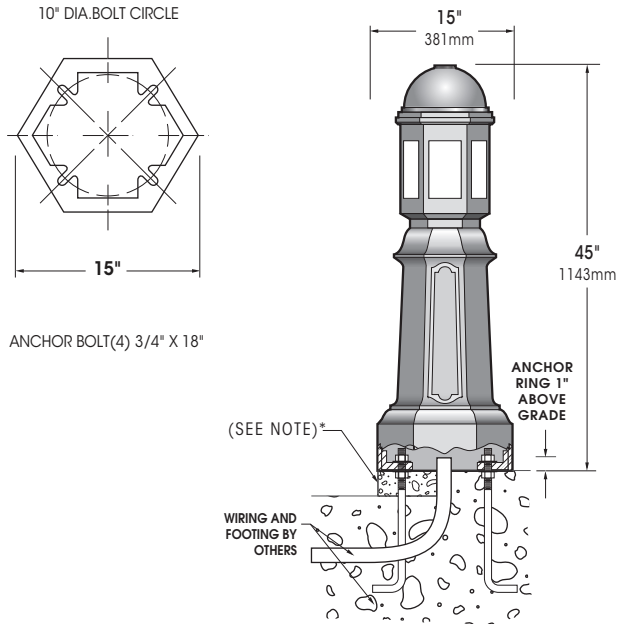


2014246

B100 SERIES-HID

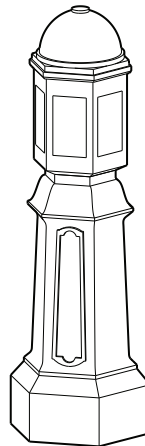
S P E C I F I C A T I O N S

GROUND MOUNTING

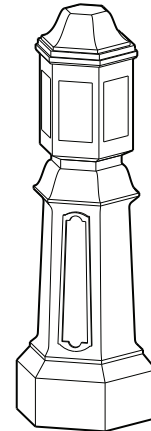


*When mounting in soil, anchor bolt fasteners and other hardware must be protected from soil by grouting.

LAMP WATTAGE



B1CL-CAP
LAMP SIZE: 35 - 100WATT



B1CL-HCAP
LAMP SIZE: 35 - 100WATT

Spec/Order Example: B1CL-HCAP-CP/PG-V/50HPS277/RAL-9005

L I G H T E D S P E C / O R D E R I N G I N F O R M A T I O N

MODEL	OPTICS	WATTAGE	TYPE	VOLTAGE	FINISH	OPTIONS
MODEL	OPTICS	LAMP			FINISH	OPTIONS
LIGHTED		WATTAGE	TYPE	VOLTAGE	STANDARD TEXTURED FINISH	
<input type="checkbox"/> B1CL-CAP-CP <input type="checkbox"/> B1CL-CAP-WP <input type="checkbox"/> B1CL-CAP-CA <input type="checkbox"/> B1CL-CAP-WA <input type="checkbox"/> B1CL-CAP-CPA <input type="checkbox"/> B1CL-HCAP-CP <input type="checkbox"/> B1CL-HCAP-WP <input type="checkbox"/> B1CL-HCAP-CA <input type="checkbox"/> B1CL-HCAP-WA <input type="checkbox"/> B1CL-HCAP-CPA	<input type="checkbox"/> INTERNAL LOUVER JL ¹ <input type="checkbox"/> PRSMATIC GLASS TYP-V PG-V <input type="checkbox"/> PRSMATIC GLASS TYP-III PG-III ¹ <input type="checkbox"/> VERTICAL LAMP VL-SYM ²	<input type="checkbox"/> 100 ³ <input type="checkbox"/> 70T ⁴ <input type="checkbox"/> 70 <input type="checkbox"/> 50T ⁴ <input type="checkbox"/> 50 <input type="checkbox"/> 42CFL ⁵ <input type="checkbox"/> 35HPS	<input type="checkbox"/> PSMH <input type="checkbox"/> HPS	<input type="checkbox"/> 120 <input type="checkbox"/> 208 ⁶ <input type="checkbox"/> 240 <input type="checkbox"/> 277 <input type="checkbox"/> 347 ⁷ <input type="checkbox"/> 480	<input type="checkbox"/> BLACK RAL-9005-T <input type="checkbox"/> WHITE RAL-9003-T <input type="checkbox"/> GREY RAL-7004-T <input type="checkbox"/> DARK BRONZE RAL-8019-T <input type="checkbox"/> GREEN RAL-6005-T	INTERNAL HOUSE SIDE SHIELD <input type="checkbox"/> 90° HS90 <input type="checkbox"/> 135° HS135 <input type="checkbox"/> 180° HS180 <input type="checkbox"/> DIMMABLE DRIVER(S) (0-10V) DIM <input type="checkbox"/> HIGH-LOW DIMMING FOR HARDWIRED SWITCHING OR NON-INTEGRATED MOTION SENSOR HLSW <input type="checkbox"/> 10KV SURGE PROTECTOR 10SP <input type="checkbox"/> 20KV SURGE PROTECTOR (240V & 480V Only) 20SP <input type="checkbox"/> DUPLEX RECEPTACLE DUP <input type="checkbox"/> GROUND FAULT RECEPTACLE GFI <input type="checkbox"/> MAILBOX - SINGLE MBS <input type="checkbox"/> MAILBOX - DOUBLE MBD <input type="checkbox"/> BOLLARD EYE BOLT BEB
LENS DESIGNATION: CA - Clear acrylic CP - Clear polycarbonate CPA - Clear patterned acrylic WA - Opal acrylic WP - Opal polycarbonate	NOTES: 1 - USED WITH -CP AND -CPA LENSES ONLY 2 - USED WITH -WP LENS ONLY	NOTES: 3 - AVAILABLE IN 8" BOLLARD ONLY 4 - TUBULAR LAMP, G12 BASE 5 - GX24q-4 BASE SUITABLE FOR 6 - N/A FOR 35HPS ANFD 50HPS TUBE LAMPS 42 WATT TRIPLE 18 THRU 7 - N/A FOR 35HPS 8 - GX24q-5 BASE			FOR SMOOTH FINISH REPLACE SUFFIX "T" WITH SUFFIX "S" (EXAMPLE: RAL-9500-S) SEE USALTG.COM FOR ADDITIONAL COLORS	

B100 SERIES-HID

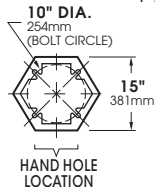
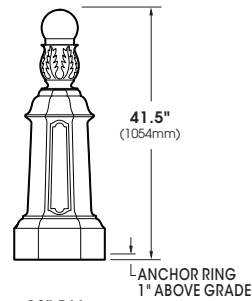
S P E C I F I C A T I O N S

HOUSING and RISER

Durable, corrosion resistant cast aluminum (A356 alloy; < 0.2% Cu) base, riser and top cap, minimum .250" wall thickness. All visible welds are blended, all exposed hardware is stainless steel.

FINISH

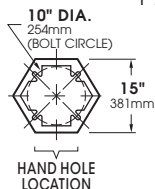
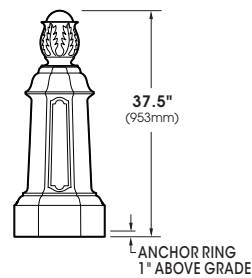
Electrostatically applied TGIC Polyester Powder Coat on substrate prepared with 20 PSI power wash at 140°F. Four step media blast and iron phosphate pretreatment for protection and paint adhesion. 400°F bake for maximum hardness and durability.



B1C-BAL



PATENT PENDING

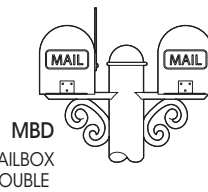
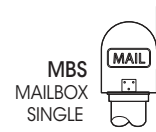


B1C-CAP



PATENT PENDING

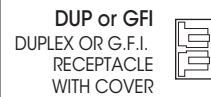
ACCESSORIES



Mailboxes may be mounted post top or side mount.

Mailboxes are of durable, corrosion resistant, cast aluminum (A356 alloy; < .02% copper) and painted to match the decorative bollard.

Mailboxes include nonlocking pull latch and cast flag.



Specify Duplex or GFCI receptacle to mount in the outlet provision. Standard cover supplied.



Eyebolts for barrier chain or cord. Specify eyebolt(s) height and location.

Unlit Example: B1C-CAP/RAL-9005-S/GFI

UNLIGHTED SPEC/ORDERING INFORMATION

MODEL	FINISH	ACCESSORIES
MODEL	FINISH	ACCESSORIES
UN-LIGHTED	STANDARD TEXTURED FINISH	
<input type="checkbox"/> B1C-BAL	<input type="checkbox"/> BLACK RAL-9005-T	<input type="checkbox"/> MAILBOX - SINGLE MBS
<input type="checkbox"/> B1C-CAP	<input type="checkbox"/> WHITE RAL-9003-T	<input type="checkbox"/> MAILBOX-DOUBLE MBD
TO CONFIGURE, SHOW MODEL, FINISH AND ANY PERTINENT ACCESSORIES	<input type="checkbox"/> GREY RAL-7004-T	<input type="checkbox"/> DUPLEX RECEPTACLE DUP
	<input type="checkbox"/> DARK BRONZE RAL-8019-T	<input type="checkbox"/> GROUND FAULT RECEPTACLE GFI
	<input type="checkbox"/> GREEN RAL-6005-T	BOLLARD EYE BOLT
	FOR SMOOTH FINISH REPLACE SUFFIX "T" WITH SUFFIX "S" (EXAMPLE: RAL-9500-S)	<input type="checkbox"/> SINGLE BEB
	SEE USALTG.COM FOR ADDITIONAL COLORS	<input type="checkbox"/> DOUBLE BEB/2-180