

H.I.D AREA LIGHTING

B2300 SERIES-HID

S P E C I F I C A T I O N S

HOUSING and RISER

Durable, corrosion resistant cast aluminum (A356 alloy; < 0.2% Cu) base, riser and top cap, minimum .250" wall thickness. All visible welds are blended, all exposed hardware is stainless steel.

INTERNAL LOUVER (IL)

A specular louver stack conceals the inner lamp and provides upright and glare control through the external clear injection molded acrylic lens.

OPAL LENS (WA)

Injection molded opal acrylic lens protects the internal lamp and provides uniform, diffuse illumination.

PRISMATIC GLASS REFRACTOR (PG)

Clear acrylic lens surrounds a prismatic glass refractor (Type III and Type V).

CAST LOUVER (CL)

Cast aluminum (A356 alloy, <0.2%Cu) louver stack protects the internal lamp module (with diffuse glass enclosure). Horizontal louvers create a 30° cut-off angle and provide 360° of downlight.

ELECTRICAL MODULE

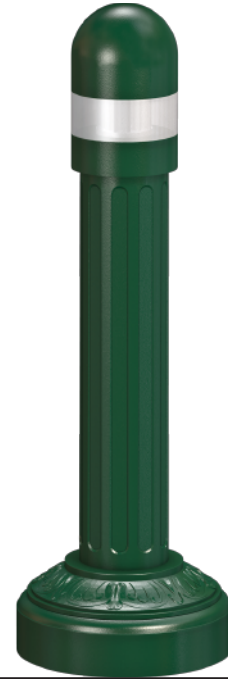
All electrical components are UL and cUL recognized are mounted on a single plate and factory prewired with quick-disconnect plugs. All HID lamps are medium base (E26) or Bi-pin Base (G12). Electronic MH ballasts have a power factor of >.95 (35/39W - 100W) -20°F starting, 120-277V and have lamp End-of-life protection. 347V option utilizes a step down transformer to the electronic ballast. Magnetic MH ballasts are high power factor (35/39W - 100W), -20°F starting, multi-tap 120-277V, 60Hz. All HPS ballasts are core and coil, high-reactance, high power factor (35/39W - 100W), -40°F starting. Electronic CFL ballasts are high power factor 120 - 277 voltage sensing. GX24-q4 socket supplied for all 18w - 42w triple tube lamps.

FINISH

Electrostatically applied TGIC Polyester Powder Coat on substrate prepared with 20 PSI power wash at 140°F. Four step media blast and iron phosphate pretreatment for protection and paint adhesion. 400°F bake for maximum hardness and durability.

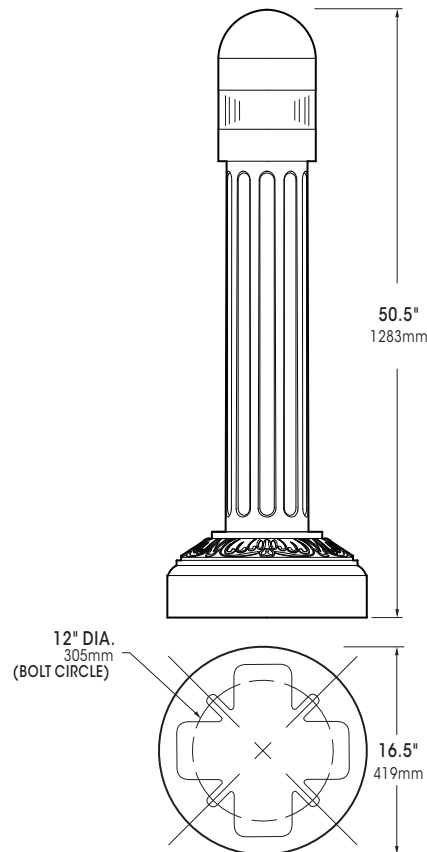
PROJECT NAME: _____

PROJECT TYPE: _____



B23EL-CAP

PATENT PENDING

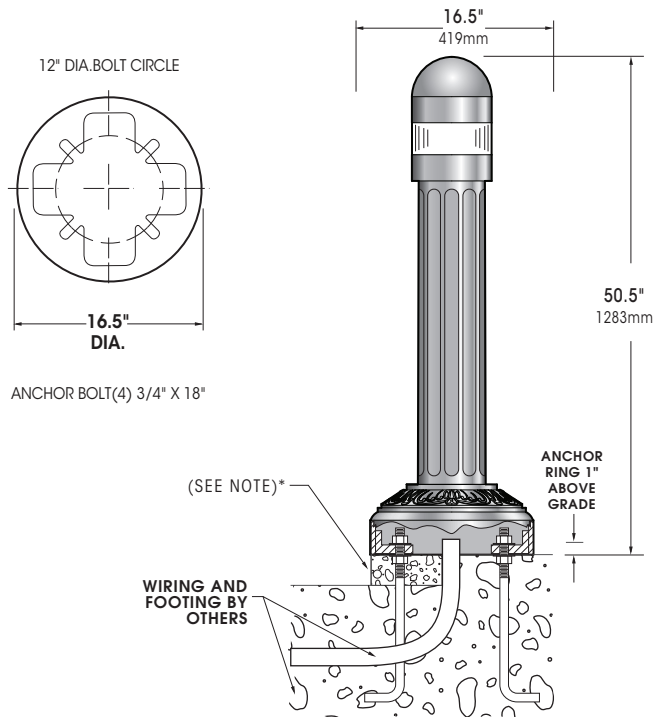


2014246

B2300 SERIES-HID

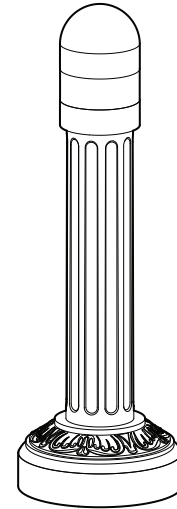
SPECIFICATIONS

GROUND MOUNTING



*When mounting in soil, anchor bolt fasteners and other hardware must be protected from soil by grouting.

LAMP WATTAGE



B23EL-CAP
LAMP SIZE: 35-100WATT

Spec/Order Example: B23EL-CAP/WA/50TPSMH480/RAL-9003-S/HS90

LIGHTED SPEC/ORDERING INFORMATION

| MODEL | OPTICS | WATTAGE | TYPE | VOLTAGE | FINISH | OPTIONS | |
|------------------------------------|---|---|---|--|--|--|--|
| MODEL | OPTICS | LAMP | | | FINISH | OPTIONS | |
| LIGHTED | | WATTAGE | TYPE | VOLTAGE | STANDARD TEXTURED FINISH | | |
| <input type="checkbox"/> B23EL-CAP | <input type="checkbox"/> INTERNAL LOUVER IL <input type="checkbox"/> CAST LOUVER CL <input type="checkbox"/> PRSMATIC GLASS TYP-V PG-V <input type="checkbox"/> PRSMATIC GLASS TYP-III PG-III <input type="checkbox"/> OPAL ACRYLIC WA | <input type="checkbox"/> 100 <input type="checkbox"/> 70T ¹ <input type="checkbox"/> 70 <input type="checkbox"/> 50T ¹ <input type="checkbox"/> 50 <input type="checkbox"/> 42CFL ² <input type="checkbox"/> 35HPS | <input type="checkbox"/> PSMH <input type="checkbox"/> HPS | <input type="checkbox"/> 120 <input type="checkbox"/> 208 ³ <input type="checkbox"/> 240 <input type="checkbox"/> 277 <input type="checkbox"/> 347 ⁴ <input type="checkbox"/> 480 | <input type="checkbox"/> BLACK RAL-9005-T <input type="checkbox"/> WHITE RAL-9003-T <input type="checkbox"/> GREY RAL-7004-T <input type="checkbox"/> DARK BRONZE RAL-8019-T <input type="checkbox"/> GREEN RAL-6005-T | INTERNAL HOUSE SIDE SHIELD <input type="checkbox"/> 90° HS90 <input type="checkbox"/> 135° HS135 <input type="checkbox"/> 180° HS180 <input type="checkbox"/> DIMMABLE DRIVER(S) (0-10V) DIM <input type="checkbox"/> HIGH-LOW DIMMING FOR HARDWIRED SWITCHING OR NON-INTEGRATED MOTION SENSOR HLSW <input type="checkbox"/> 10KV SURGE PROTECTOR 10SP <input type="checkbox"/> 20KV SURGE PROTECTOR (240V & 480V Only) 20SP <input type="checkbox"/> DUPLEX RECEPTACLE DUP <input type="checkbox"/> GROUND FAULT RECEPTACLE GFI <input type="checkbox"/> MAILBOX - SINGLE MBS <input type="checkbox"/> MAILBOX - DOUBLE MBD <input type="checkbox"/> BOLLARD EYE BOLT BEB | |
| | | NOTES: 1 - TUBULAR LAMP, G12 BASE 2 - GX24q-4 BASE SUITABLE FOR 3 - N/A FOR 35HPS ANFD 50HPS TUBE LAMPS 42 WATT TRIPLE 18 THRU 4 - N/A FOR 35HPS | | | | FOR SMOOTH FINISH REPLACE SUFFIX "T" WITH SUFFIX "S" (EXAMPLE: RAL-9500-S) SEE USALTG.COM FOR ADDITIONAL COLORS | |

B2300 SERIES-HID

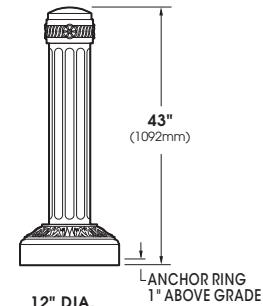
S P E C I F I C A T I O N S

HOUSING and RISER

Durable, corrosion resistant cast aluminum (A356 alloy; < 0.2% Cu) base, riser and top cap, minimum .250" wall thickness. All visible welds are blended, all exposed hardware is stainless steel.

FINISH

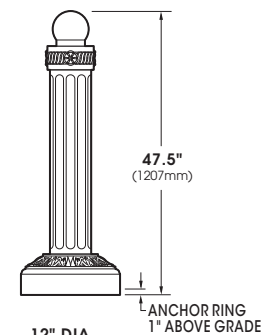
Electrostatically applied TGIC Polyester Powder Coat on substrate prepared with 20 PSI power wash at 140°F. Four step media blast and iron phosphate pretreatment for protection and paint adhesion. 400°F bake for maximum hardness and durability.



B 2 3 C - T O P



PATENT PENDING

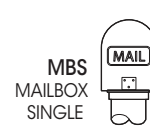


B 2 3 C - B A L



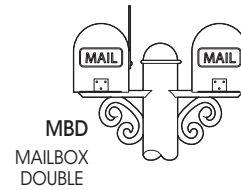
PATENT PENDING

ACCESSORIES



MBS
MAILBOX
SINGLE

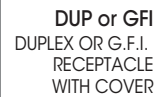
Mailboxes may be mounted post top or side mount.



MBD
MAILBOX
DOUBLE

Mailboxes are of durable, corrosion resistant, cast aluminum (A356 alloy; < .02% copper) and painted to match the decorative bollard.

Mailboxes include nonlocking pull latch and cast flag.



DUP or GFI
DUPLX OR G.F.I.
RECEPTACLE
WITH COVER



Specify Duplex or GFCI receptacle to mount in the outlet provision. Standard cover supplied.



BEB
BOLLARD
EYE BOLT

Eyebolts for barrier chain or cord. Specify eyebolt(s) height and location.

Unlit Example: B23C-TOP/RAL-6005-T

U N - L I G H T E D S P E C / O R D E R I N G I N F O R M A T I O N

| MODEL | FINISH | ACCESSORIES |
|-----------------------------------|--|--|
| MODEL | FINISH | ACCESSORIES |
| UN-LIGHTED | STANDARD TEXTURED FINISH | |
| <input type="checkbox"/> B23C-TOP | <input type="checkbox"/> BLACK RAL-9005-T | <input type="checkbox"/> MAILBOX - SINGLE MBS |
| <input type="checkbox"/> B23C-CAP | <input type="checkbox"/> WHITE RAL-9003-T | <input type="checkbox"/> MAILBOX-DOUBLE MBD |
| <input type="checkbox"/> B23C-BAL | <input type="checkbox"/> GREY RAL-7004-T | <input type="checkbox"/> DUPLEX RECEPTACLE DUP |
| | <input type="checkbox"/> DARK BRONZE RAL-8019-T | <input type="checkbox"/> GROUND FAULT RECEPTACLE GFI |
| | <input type="checkbox"/> GREEN RAL-6005-T | BOLLARD EYE BOLT |
| | FOR SMOOTH FINISH REPLACE SUFFIX "T" WITH SUFFIX "S" (EXAMPLE: RAL-9500-S) | <input type="checkbox"/> SINGLE BEB |
| | SEE USALTG.COM FOR ADDITIONAL COLORS | <input type="checkbox"/> DOUBLE BEB/2-180 |

TO CONFIGURE, SHOW MODEL, FINISH AND ANY PERTINENT ACCESSORIES