

# H.I.D AREA LIGHTING

## B300 SERIES-HID

### S P E C I F I C A T I O N S

#### HOUSING and RISER

Durable, corrosion resistant cast aluminum (A356 alloy; < 0.2% Cu) base, unlit riser and top cap, minimum .250" wall thickness. Lit riser is extruded, minimum .188" wall thickness. All visible welds are blended, all exposed hardware is stainless steel.

#### OPAL LENS (WA)

Opal acrylic lens is located at the recess of the vertical flutes, protects the internal lamp and provides uniform, diffuse illumination.

#### ELECTRICAL MODULE

All electrical components are UL and cUL recognized are mounted on a single plate and factory prewired with quick-disconnect plugs. All HID lamps are medium base (E26) or Bi-pin Base (G12). Electronic MH ballasts have a power factor of >.95 (35/39W - 100W) -20°F starting, 120-277V and have lamp End-of-life protection. 347V option utilizes a step down transformer to the electronic ballast. Magnetic MH ballasts are high power factor (35/39W - 100W), -20°F starting, multi-tap 120-277V, 60Hz. All HPS ballasts are core and coil, high-reactance, high power factor (35/39W - 100W), -40°F starting. Electronic CFL ballasts are high power factor 120 - 277 voltage sensing. GX24-q4 socket supplied for all 18w - 42w triple tube lamps.

#### FINISH

Electrostatically applied TGIC Polyester Powder Coat on substrate prepared with 20 PSI power wash at 140°F. Four step media blast and iron phosphate pretreatment for protection and paint adhesion. 400°F bake for maximum hardness and durability.

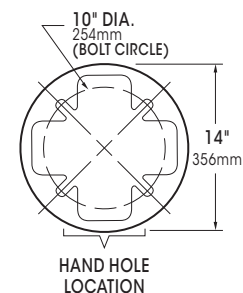
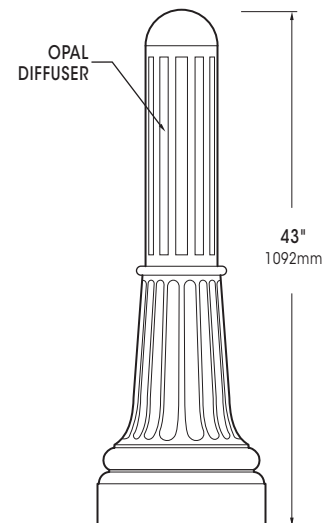
PROJECT NAME: \_\_\_\_\_

PROJECT TYPE: \_\_\_\_\_



**B3EL-CAP**

PATENT PENDING

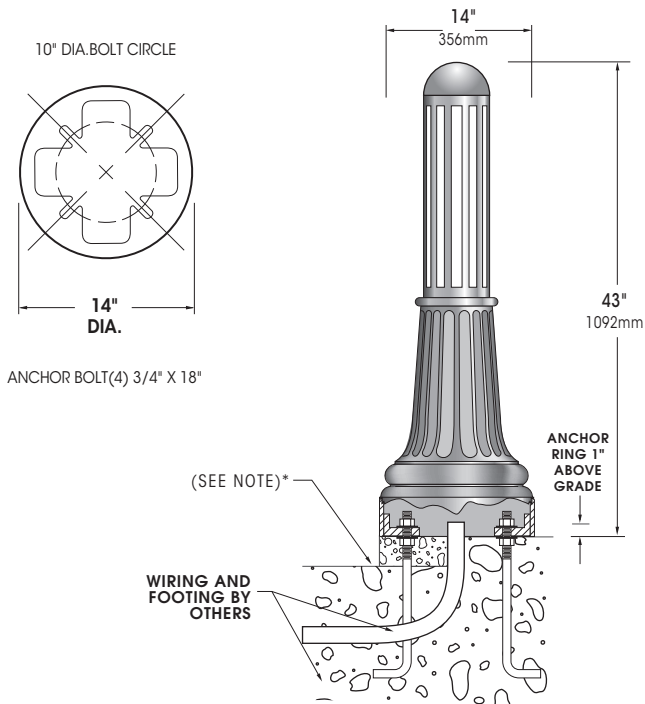


2014246

# B300 SERIES-HID

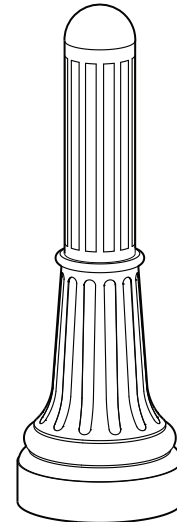
## SPECIFICATIONS

### GROUND MOUNTING



\*When mounting in soil, anchor bolt fasteners and other hardware must be protected from soil by grouting.

### LAMP WATTAGE



**B3EL-CAP**  
LAMP SIZE: 35 - 100WATT

Spec/Order Example: B3EL-CAP/VL-SYM/35HPS120/RAL-9005-T/HS90

## LIGHTED SPEC/ORDERING INFORMATION

MODEL	OPTICS	WATTAGE	TYPE	VOLTAGE	FINISH	OPTIONS
<b>MODEL</b>	<b>OPTICS</b>	<b>LAMP</b>			<b>FINISH</b>	<b>OPTIONS</b>
<b>LIGHTED</b>		<b>WATTAGE</b>	<b>TYPE</b>	<b>VOLTAGE</b>	<b>STANDARD TEXTURED FINISH</b>	
<input type="checkbox"/> B3EL-CAP	<input type="checkbox"/> VERTICAL LAMP .....VL-SYM	<input type="checkbox"/> 100	<input type="checkbox"/> PSMH	<input type="checkbox"/> 120	<input type="checkbox"/> BLACK RAL-9005-T	INTERNAL HOUSE SIDE SHIELD <input type="checkbox"/> 90° ..... HS90 <input type="checkbox"/> 135° ..... HS135 <input type="checkbox"/> 180° ..... HS180
		<input type="checkbox"/> 70T <sup>1</sup>	<input type="checkbox"/> HPS	<input type="checkbox"/> 208 <sup>3</sup>	<input type="checkbox"/> WHITE RAL-9003-T	<input type="checkbox"/> DIMMABLE DRIVER(S) (0-10V) ..... DIM
		<input type="checkbox"/> 70		<input type="checkbox"/> 240	<input type="checkbox"/> GREY RAL-7004-T	<input type="checkbox"/> HIGH-LOW DIMMING FOR HARDWIRED SWITCHING OR NON-INTEGRATED MOTION SENSOR ..... HLSW
		<input type="checkbox"/> 50T <sup>1</sup>		<input type="checkbox"/> 277	<input type="checkbox"/> DARK BRONZE RAL-8019-T	<input type="checkbox"/> 10KV SURGE PROTECTOR. .... 10SP
		<input type="checkbox"/> 50		<input type="checkbox"/> 347 <sup>4</sup>	<input type="checkbox"/> GREEN RAL-6005-T	<input type="checkbox"/> 20KV SURGE PROTECTOR (240V & 480V Only) ... 20SP
		<input type="checkbox"/> 42CFL <sup>2</sup>		<input type="checkbox"/> 480	FOR SMOOTH FINISH REPLACE SUFFIX "T" WITH SUFFIX "S" (EXAMPLE: RAL-9500-S)	<input type="checkbox"/> DUPLEX RECEPTACLE ... DUP
		<input type="checkbox"/> 35HPS			SEE USALTG.COM FOR ADDITIONAL COLORS	<input type="checkbox"/> GROUND FAULT RECEPTACLE ..... GFI
						<input type="checkbox"/> MAILBOX - SINGLE ..... MBS
						<input type="checkbox"/> MAILBOX - DOUBLE ..... MBD
						<input type="checkbox"/> BOLLARD EYE BOLT .... BEB
		<b>NOTES:</b> 1 - TUBULAR LAMP, G12 BASE 2 - GX24q-4 BASE SUITABLE FOR 3 - N/A FOR 35HPS ANFD 50HPS TUBE LAMPS 42 WATT TRIPLE 18 THRU 4 - N/A FOR 35HPS				

# B300 SERIES-HID

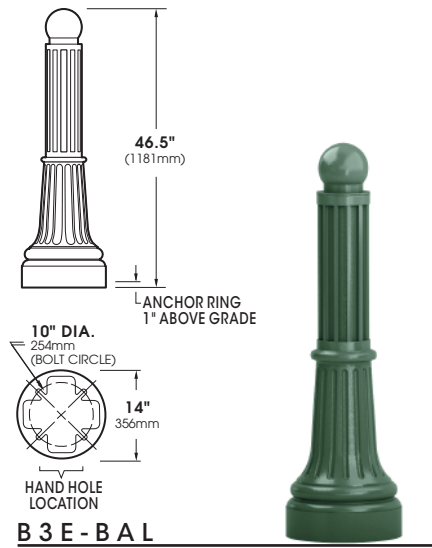
## S P E C I F I C A T I O N S

### HOUSING and RISER

Durable, corrosion resistant cast aluminum (A356 alloy; < 0.2% Cu) base, riser and top cap, minimum .250" wall thickness. All visible welds are blended, all exposed hardware is stainless steel.

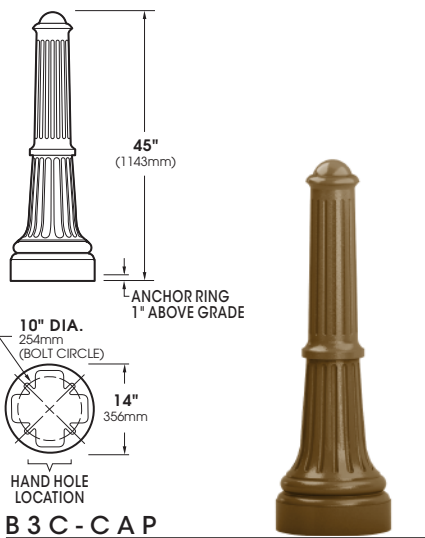
### FINISH

Electrostatically applied TGIC Polyester Powder Coat on substrate prepared with 20 PSI power wash at 140°F. Four step media blast and iron phosphate pretreatment for protection and paint adhesion. 400°F bake for maximum hardness and durability.



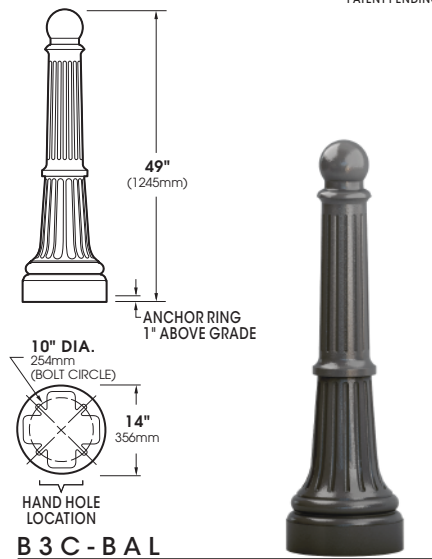
**B 3 E - B A L**

PATENT PENDING



**B 3 C - C A P**

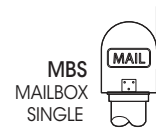
PATENT PENDING



**B 3 C - B A L**

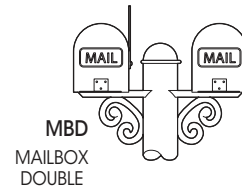
PATENT PENDING

### ACCESSORIES



**MBS**  
MAILBOX  
SINGLE

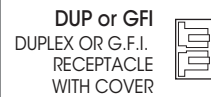
Mailboxes may be mounted post top or side mount.



**MBD**  
MAILBOX  
DOUBLE

Mailboxes are of durable, corrosion resistant, cast aluminum (A356 alloy; < .02% copper) and painted to match the decorative bollard.

Mailboxes include nonlocking pull latch and cast flag.



**DUP or GFI**  
DUPLX OR G.F.I.  
RECEPTACLE  
WITH COVER

Specify Duplex or GFCI receptacle to mount in the outlet provision. Standard cover supplied.



**BEB**  
BOLLARD  
EYE BOLT

Eyebolts for barrier chain or cord. Specify eyebolt(s) height and location.

Unlit Example: B3E-BAL/RAL-6005/BEB

## U N - L I G H T E D S P E C / O R D E R I N G I N F O R M A T I O N

MODEL	FINISH	ACCESSORIES
<p><b>MODEL</b></p> <p>UN-LIGHTED</p> <p><input type="checkbox"/> B3E-BAL</p> <p><input type="checkbox"/> B3C-CAP</p> <p><input type="checkbox"/> B3C-BAL</p> <p>TO CONFIGURE, SHOW MODEL, FINISH AND ANY PERTINENT ACCESSORIES</p>	<p><b>FINISH</b></p> <p>STANDARD TEXTURED FINISH</p> <p><input type="checkbox"/> BLACK ..... RAL-9005-T</p> <p><input type="checkbox"/> WHITE ..... RAL-9003-T</p> <p><input type="checkbox"/> GREY ..... RAL-7004-T</p> <p><input type="checkbox"/> DARK BRONZE ..... RAL-8019-T</p> <p><input type="checkbox"/> GREEN ..... RAL-6005-T</p> <p>FOR SMOOTH FINISH REPLACE SUFFIX "T" WITH SUFFIX "S" (EXAMPLE: RAL-9500-S)</p> <p>SEE USALTG.COM FOR ADDITIONAL COLORS</p>	<p><b>ACCESSORIES</b></p> <p><input type="checkbox"/> MAILBOX - SINGLE ..... MBS</p> <p><input type="checkbox"/> MAILBOX-DOUBLE ..... MBD</p> <p><input type="checkbox"/> DUPLEX RECEPTACLE ..... DUP</p> <p><input type="checkbox"/> GROUND FAULT RECEPTACLE ..... GFI</p> <p>BOLLARD EYE BOLT</p> <p><input type="checkbox"/> SINGLE ..... BEB</p> <p><input type="checkbox"/> DOUBLE ..... BEB/2-180</p>