

# H.I.D. AREA LIGHTING

## B3300 SERIES-HID

### SPECIFICATIONS

#### HOUSING and RISER

Durable, corrosion resistant cast aluminum (A356 alloy; < 0.2% Cu) base, riser and top cap, minimum .250" wall thickness. All visible welds are blended, all exposed hardware is stainless steel.

#### LENS

All lenses are fully gasketed retained by aluminum clips.

- CA - Clear acrylic
- CP - Clear polycarbonate
- CPA - Clear patterned acrylic
- WA - Opal acrylic
- WP - Opal polycarbonate

#### INTERNAL LOUVER (IL)

A specular louver stack conceals the inner lamp and provides uplight and glare control through the external clear injection molded polycarbonate or clear patterned lens.

#### OPAL LENS

Injection molded opal acrylic (WA) or polycarbonate (WP) lens protects the internal lamp and provides uniform, diffuse illumination.

#### PRSMATIC GLASS REFRACTOR (PG)

Clear acrylic or polycarbonate lens surrounds a prismatic glass refractor (Type III and Type V).

#### ELECTRICAL MODULE

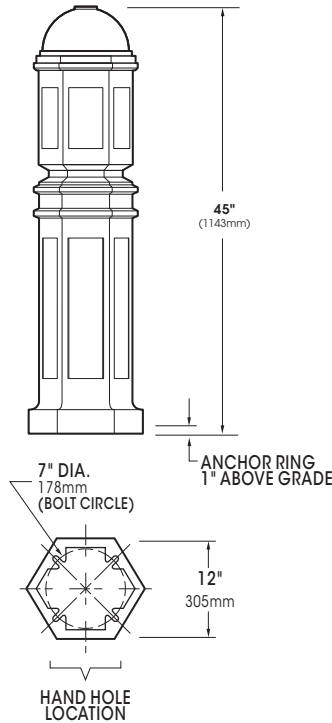
All electrical components are UL and cUL recognized are mounted on a single plate and factory prewired with quick-disconnect plugs. All HID lamps are medium base (E26) or Bi-pin Base (G12). Electronic MH ballasts have a power factor of >.95 (35/39W - 100W) -20°F starting, 120-277V and have lamp End-of-life protection. 347V option utilizes a step down transformer to the electronic ballast. Magnetic MH ballasts are high power factor (35/39W - 100W), -20°F starting, multi-tap 120-277V, 60Hz. All HPS ballasts are core and coil, high-reactance, high power factor (35/39W - 100W), -40°F starting. Electronic CFL ballasts are high power factor 120 - 277 voltage sensing. GX24-q4 socket supplied for all 18w - 42w triple tube lamps.

#### FINISH

Electrostatically applied TGIC Polyester Powder Coat on substrate prepared with 20 PSI power wash at 140°F. Four step media blast and iron phosphate pretreatment for protection and paint adhesion. 400°F bake for maximum hardness and durability.

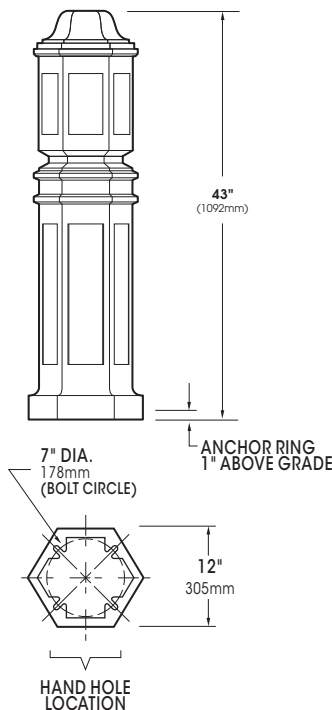
PROJECT NAME: \_\_\_\_\_

PROJECT TYPE: \_\_\_\_\_



## B33CL-CAP

PATENT PENDING



## B33CL-HCAP

PATENT PENDING

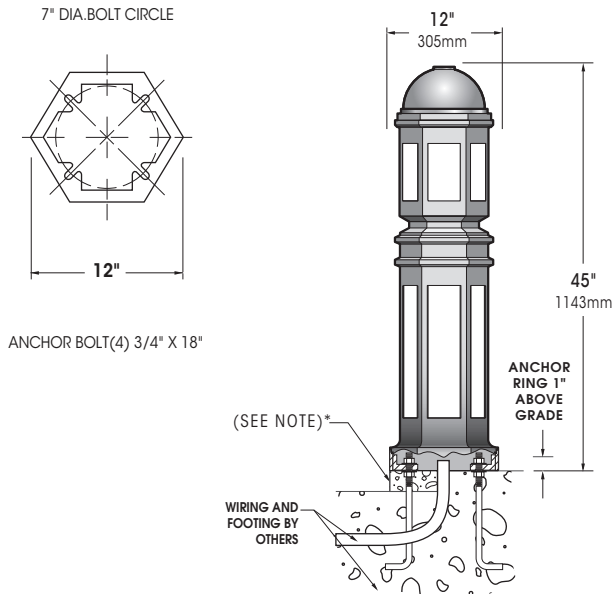


2014246

# B3300 SERIES-HID

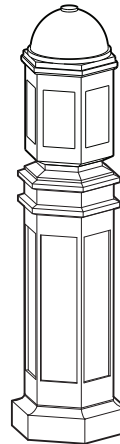
## S P E C I F I C A T I O N S

### GROUND MOUNTING

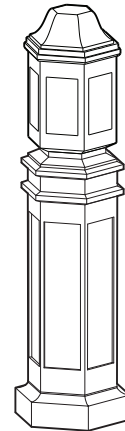


\*When mounting in soil, anchor bolt fasteners and other hardware must be protected from soil by grouting.

### LAMP WATTAGE



**B33CL-CAP**  
LAMP SIZE: 35 - 100WATT



**B33CL-HCAP**  
LAMP SIZE: 35 - 100WATT

Spec/Order Example: B33CL-CAP-WA/IL/100PSMH208/RAL-8019-S/MBD

## L I G H T E D S P E C / O R D E R I N G I N F O R M A T I O N

MODEL	OPTICS	WATTAGE	TYPE	VOLTAGE	FINISH	OPTIONS		
<b>MODEL</b>	<b>OPTICS</b>	<b>LAMP</b>			<b>FINISH</b>	<b>OPTIONS</b>		
<b>LIGHTED</b>		<b>WATTAGE</b>	<b>TYPE</b>	<b>VOLTAGE</b>	<b>STANDARD TEXTURED FINISH</b>			
<input type="checkbox"/> B33CL-CAP-CP	<input type="checkbox"/> INTERNAL LOUVER ..... <b>JL</b> <sup>1</sup>	<input type="checkbox"/> 100 <sup>3</sup>	<input type="checkbox"/> PSMH	<input type="checkbox"/> 120	<input type="checkbox"/> BLACK <b>RAL-9005-T</b>	INTERNAL HOUSE SIDE SHIELD <input type="checkbox"/> 90° ..... <b>HS90</b> <input type="checkbox"/> 135° ..... <b>HS135</b> <input type="checkbox"/> 180° ..... <b>HS180</b>		
<input type="checkbox"/> B33CL-CAP-WP	<input type="checkbox"/> PRSMATIC GLASS TYP-V ..... <b>PG-V</b>	<input type="checkbox"/> 70T <sup>4</sup>	<input type="checkbox"/> HPS	<input type="checkbox"/> 208 <sup>6</sup>	<input type="checkbox"/> WHITE <b>RAL-9003-T</b>	<input type="checkbox"/> DIMMABLE DRIVER(S) (0-10V) ..... <b>DIM</b>		
<input type="checkbox"/> B33CL-CAP-CA	<input type="checkbox"/> PRSMATIC GLASS TYP-III ..... <b>PG-III</b> <sup>1</sup>	<input type="checkbox"/> 70		<input type="checkbox"/> 240	<input type="checkbox"/> GREY <b>RAL-7004-T</b>	<input type="checkbox"/> HIGH-LOW DIMMING FOR HARDWIRED SWITCHING OR NON-INTEGRATED MOTION SENSOR ..... <b>HLSW</b>		
<input type="checkbox"/> B33CL-CAP-WA	<input type="checkbox"/> VERTICAL LAMP ..... <b>VL-SYM</b> <sup>2</sup>	<input type="checkbox"/> 50T <sup>4</sup>		<input type="checkbox"/> 277	<input type="checkbox"/> DARK BRONZE <b>RAL-8019-T</b>	<input type="checkbox"/> 10KV SURGE PROTECTOR ..... <b>10SP</b>		
<input type="checkbox"/> B33CL-CAP-CPA		<input type="checkbox"/> 50		<input type="checkbox"/> 347 <sup>7</sup>	<input type="checkbox"/> GREEN <b>RAL-6005-T</b>	<input type="checkbox"/> 20KV SURGE PROTECTOR (240V & 480V Only) ..... <b>20SP</b>		
<input type="checkbox"/> B33CL-HCAP-CP		<input type="checkbox"/> 42CFL <sup>5</sup>		<input type="checkbox"/> 480		<input type="checkbox"/> DUPLEX RECEPTACLE ..... <b>DUP</b>		
<input type="checkbox"/> B33CL-HCAP-WP		<input type="checkbox"/> 35HPS				<input type="checkbox"/> GROUND FAULT RECEPTACLE ..... <b>GFI</b>		
<input type="checkbox"/> B33CL-HCAP-CA						<input type="checkbox"/> MAILBOX - SINGLE ..... <b>MBS</b>		
<input type="checkbox"/> B33CL-HCAP-WA						<input type="checkbox"/> MAILBOX - DOUBLE ..... <b>MBD</b>		
<input type="checkbox"/> B33CL-HCAP-CPA						<input type="checkbox"/> BOLLARD EYE BOLT ..... <b>BEB</b>		
<b>NOTES:</b> 1 - USED WITH -CP AND -CPA LENSES ONLY 2 - USED WITH -WP LENS ONLY		<b>NOTES:</b> 3 - AVAILABLE IN 8" BOLLARD ONLY 4 - TUBULAR LAMP, G12 BASE 5 - GX24q-4 BASE SUITABLE FOR 6 - N/A FOR 35HPS ANFD 50HPS TUBE LAMPS 42 WATT TRIPLE 18 THRU 7 - N/A FOR 35HPS 8 - GX24q-5 BASE			FOR SMOOTH FINISH REPLACE SUFFIX "T" WITH SUFFIX "S" (EXAMPLE: RAL-9500-S)  SEE USALTG.COM FOR ADDITIONAL COLORS			
<b>LENS DESIGNATION:</b> CA - Clear acrylic CP - Clear polycarbonate CPA - Clear patterned acrylic WA - Opal acrylic WP - Opal polycarbonate								

# B3300 SERIES-HID

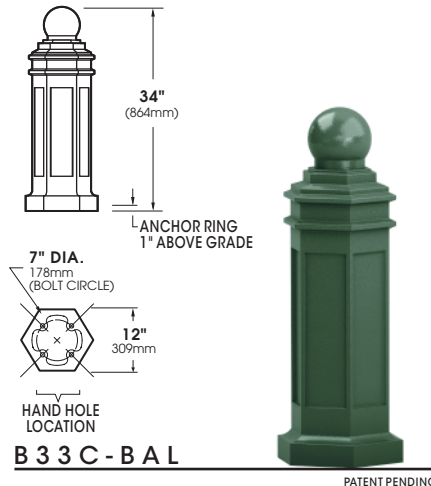
## S P E C I F I C A T I O N S

### HOUSING and RISER

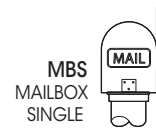
Durable, corrosion resistant cast aluminum (A356 alloy; < 0.2% Cu) base, riser and top cap, minimum .250" wall thickness. All visible welds are blended, all exposed hardware is stainless steel.

### FINISH

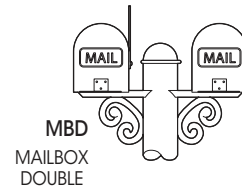
Electrostatically applied TGIC Polyester Powder Coat on substrate prepared with 20 PSI power wash at 140°F. Four step media blast and iron phosphate pretreatment for protection and paint adhesion. 400°F bake for maximum hardness and durability.



## ACCESSORIES

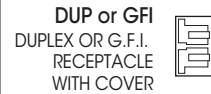


Mailboxes may be mounted post top or side mount.



Mailboxes are of durable, corrosion resistant, cast aluminum (A356 alloy; < .02% copper) and painted to match the decorative bollard.

Mailboxes include nonlocking pull latch and cast flag.



Specify Duplex or GFCI receptacle to mount in the outlet provision. Standard cover supplied.



Eyebolts for barrier chain or cord. Specify eyebolt(s) height and location.

Unlit Example: B33C-BAL/RAL-9004-T

## UNLIGHTED SPEC/ORDERING INFORMATION

MODEL	FINISH	ACCESSORIES
<p><b>MODEL</b></p> <p>UN-LIGHTED</p> <p><input type="checkbox"/> B33C-BAL</p> <p>TO CONFIGURE, SHOW MODEL, FINISH AND ANY PERTINENT ACCESSORIES</p>	<p><b>FINISH</b></p> <p>STANDARD TEXTURED FINISH</p> <p><input type="checkbox"/> BLACK ..... RAL-9005-T</p> <p><input type="checkbox"/> WHITE ..... RAL-9003-T</p> <p><input type="checkbox"/> GREY ..... RAL-7004-T</p> <p><input type="checkbox"/> DARK BRONZE ..... RAL-8019-T</p> <p><input type="checkbox"/> GREEN ..... RAL-6005-T</p> <p>FOR SMOOTH FINISH REPLACE SUFFIX "T" WITH SUFFIX "S" (EXAMPLE: RAL-9500-S)</p> <p>SEE USALTG.COM FOR ADDITIONAL COLORS</p>	<p><b>ACCESSORIES</b></p> <p><input type="checkbox"/> MAILBOX - SINGLE ..... MBS</p> <p><input type="checkbox"/> MAILBOX-DOUBLE ..... MBD</p> <p><input type="checkbox"/> DUPLEX RECEPTACLE ..... DUP</p> <p><input type="checkbox"/> GROUND FAULT RECEPTACLE ..... GFI</p> <p>BOLLARD EYE BOLT</p> <p><input type="checkbox"/> SINGLE ..... BEB</p> <p><input type="checkbox"/> DOUBLE ..... BEB/2-180</p>