

# SOLID STATE AREA LIGHTING

## B8500 SERIES-LED

### S P E C I F I C A T I O N S

#### HOUSING and RISER

Durable, corrosion resistant cast aluminum (A356 alloy; < 0.2% Cu) base, riser and top cap, minimum .250" wall thickness. All visible welds are blended, all exposed hardware is stainless steel.

#### LED POWER ARRAY

Three-dimensional array consisting of 6 individual LED tubes fastened to a retaining plate equally spaced to provide 360° of even illumination output. Each LED tube consists of a circuit board populated with a multiple of LED's which is fastened to a radial aluminum heat sink. A white polycarbonate lens and end caps protect each LED tube's internal components and provides diffusion to prevent shadowing and striations.

#### RADIAL LED MODULE

LED'S are mounted to a circular heatsink in a radial array. The radial LED module is concealed in the cap of the bollard. LED's are not directly visible from angles above 90°.

#### INTERNAL LOUVER (IL)

A specular louver stack conceals the LED Power Array (with opal diffuse lens) module and provides uplight and glare control through the external clear injection molded polycarbonate lens.

#### OPAL LENS (WP)

Injection molded opal polycarbonate lens protects the LED Power Array Module (with opal diffuse lenses) and provides uniform illumination.

#### CAST LOUVER (CL)

Cast aluminum (A356 alloy, <0.2%Cu) louver stack protects the LED Power Array Module (with opal diffuse lenses). Horizontal louvers create a 30° cut-off angle and provide 360° of downlight.

#### LED DRIVER

UL and cUL recognized High Power Factor, Constant Current LED drivers operate on input voltages from 120-277VAC, 50/60hz and is mechanically fastened to a retaining bracket. 347V and 480V options may utilize a step down transformer to the LED driver. Main power quick disconnect provided. Driver has a minimum 4KV of internal surge protection. Consult factory for other voltages. Dimming and High-Low Driver options available. 10KV & 20KV Surge Protector optional.

#### FINISH

Electrostatically applied TGIC Polyester Powder Coat on substrate prepared with 20 PSI power wash at 140°F. Four step media blast and iron phosphate pretreatment for protection and paint adhesion. 400°F bake for maximum hardness and durability.

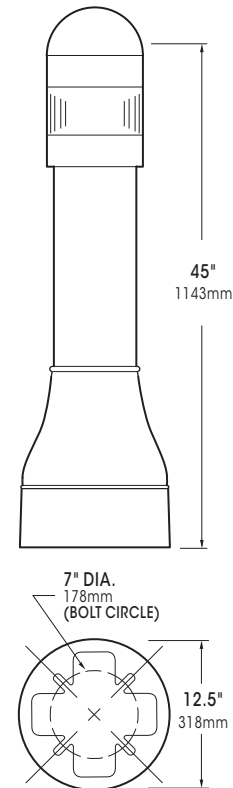
PROJECT NAME: \_\_\_\_\_

PROJECT TYPE: \_\_\_\_\_



**B85EL-CAP**

PATENT PENDING

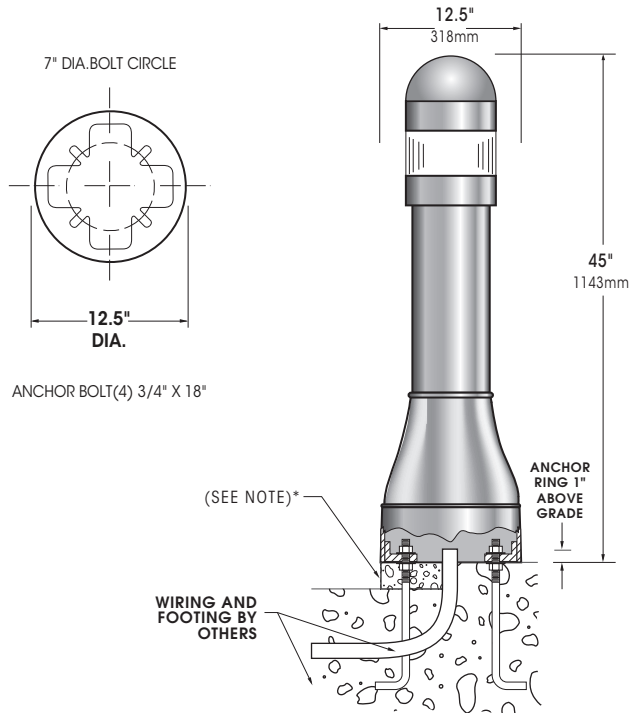


2014182

# B8500 SERIES-LED

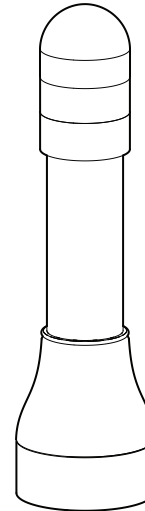
## S P E C I F I C A T I O N S

### GROUND MOUNTING



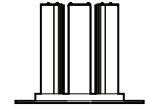
\*When mounting in soil, anchor bolt fasteners and other hardware must be protected from soil by grouting.

### LED MODULE



**B85EL-CAP-LED**

**VERTICAL POWER ARRAY™**  
Available in:  
36 LED, 24 LED & 12 LED



**VPA - Vertical Array**  
(Used with -IL, -CL and WA optics)



**Radial LED Module**  
Available in:  
18LED Module  
(Used with -PR optics)

Spec/Order Example: B85EL-CAP-VPA-SYM/24LED120/RAL-7004-S

## L I G H T E D S P E C / O R D E R I N G I N F O R M A T I O N

MODEL	OPTICS	# of LED's	COLOR TEMP - CCT	VOLTAGE	FINISH	OPTIONS
<b>MODEL</b>	<b>OPTICS</b>	<b>LED</b>		<b>FINISH</b>	<b>OPTIONS</b>	
<b>LIGHTED</b>	<b>VERTICAL POWER ARRAY</b>	<b># of LEDs</b>	<b>COLOR TEMP - CCT</b>	<b>VOLTAGE</b>	<b>STANDARD TEXTURED FINISH</b>	
<input type="checkbox"/> <b>B85EL-CAP</b>	<input type="checkbox"/> INTERNAL LOUVER ..... <b>IL</b> <input type="checkbox"/> CAST LOUVER ..... <b>CL</b> <input type="checkbox"/> OPAL POLYCARBONATE ..... <b>WP</b>  <b>RADIAL LED ARRAY</b> <input type="checkbox"/> PARABOLIC REFLECTOR ..... <b>PR</b>	<input type="checkbox"/> <b>36LED</b> (42 Watts) <input type="checkbox"/> <b>24LED</b> (28 Watts) <input type="checkbox"/> <b>12LED</b> (14 Watts) WATTS ARE MAX INPUT WATTS	<input type="checkbox"/> <b>NW</b> (4000K) Standard <input type="checkbox"/> <b>CW</b> (5000K) <input type="checkbox"/> <b>WW</b> (3000K) OTHER LED COLORS AVAILABLE CONSULT FACTORY	<input type="checkbox"/> <b>120</b> <input type="checkbox"/> <b>208</b> <input type="checkbox"/> <b>240</b> <input type="checkbox"/> <b>277</b> <input type="checkbox"/> <b>347</b> <input type="checkbox"/> <b>480</b>	<input type="checkbox"/> <b>BLACK RAL-9005-T</b> <input type="checkbox"/> <b>WHITE RAL-9003-T</b> <input type="checkbox"/> <b>GREY RAL-7004-T</b> <input type="checkbox"/> <b>DARK BRONZE RAL-8019-T</b> <input type="checkbox"/> <b>GREEN RAL-6005-T</b>  FOR SMOOTH FINISH REPLACE SUFFIX "T" WITH SUFFIX "S" (EXAMPLE: RAL-9500-S)  SEE USALTG.COM FOR ADDITIONAL COLORS	INTERNAL HOUSE SIDE SHIELD <input type="checkbox"/> 90° ..... <b>HS90</b> <input type="checkbox"/> 135° ..... <b>HS135</b> <input type="checkbox"/> 180° ..... <b>HS180</b>  <input type="checkbox"/> DIMMABLE DRIVER(S) (0-10V) ..... <b>DIM</b>  <input type="checkbox"/> HIGH-LOW DIMMING FOR HARDWIRED SWITCHING OR NON-INTEGRATED MOTION SENSOR ..... <b>HLSW</b>  <input type="checkbox"/> 10KV SURGE PROTECTOR ..... <b>10SP</b> <input type="checkbox"/> 20KV SURGE PROTECTOR (240V & 480V Only) ..... <b>20SP</b>  <input type="checkbox"/> DUPLEX RECEPTACLE ..... <b>DUP</b> <input type="checkbox"/> GROUND FAULT RECEPTACLE ..... <b>GFI</b>  <input type="checkbox"/> MAILBOX - SINGLE ..... <b>MBS</b> <input type="checkbox"/> MAILBOX - DOUBLE ..... <b>MBD</b> <input type="checkbox"/> BOLLARD EYE BOLT ..... <b>BEB</b>

# B8500 SERIES-LED

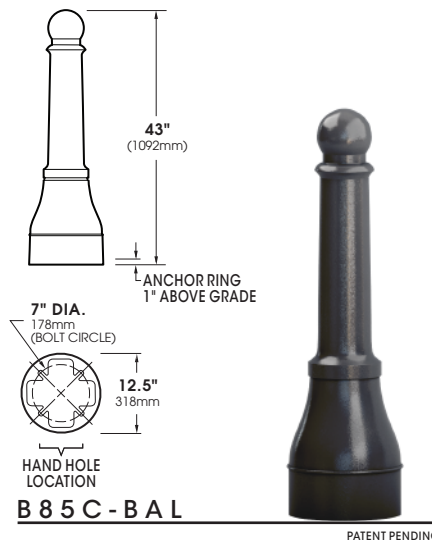
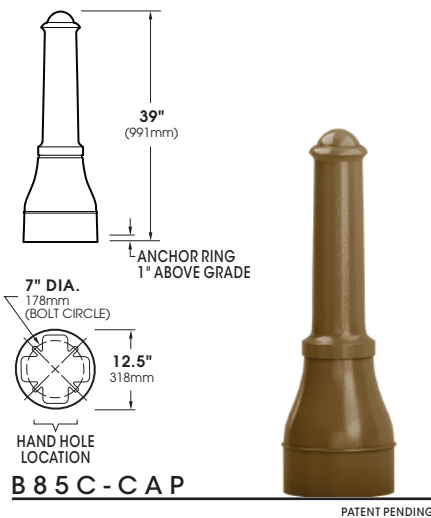
## S P E C I F I C A T I O N S

### HOUSING and RISER

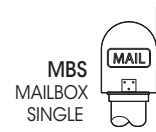
Durable, corrosion resistant cast aluminum (A356 alloy; < 0.2% Cu) base, riser and top cap, minimum .250" wall thickness. All visible welds are blended, all exposed hardware is stainless steel.

### FINISH

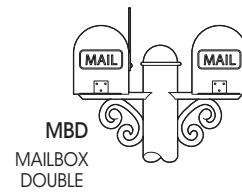
Electrostatically applied TGIC Polyester Powder Coat on substrate prepared with 20 PSI power wash at 140°F. Four step media blast and iron phosphate pretreatment for protection and paint adhesion. 400°F bake for maximum hardness and durability.



### ACCESSORIES

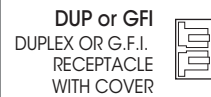


Mailboxes may be mounted post top or side mount.



Mailboxes are of durable, corrosion resistant, cast aluminum (A356 alloy; < .02% copper) and painted to match the decorative bollard.

Mailboxes include nonlocking pull latch and cast flag.



Specify Duplex or GFCI receptacle to mount in the outlet provision. Standard cover supplied.



Eyebolts for barrier chain or cord. Specify eyebolt(s) height and location.

Unlit Example: B85C-TOP/RAL-6005-T

## U N - L I G H T E D S P E C / O R D E R I N G I N F O R M A T I O N

MODEL	FINISH	ACCESSORIES
<p><b>MODEL</b></p> <p>UN-LIGHTED</p> <p><input type="checkbox"/> B85C-TOP</p> <p><input type="checkbox"/> B85C-CAP</p> <p><input type="checkbox"/> B85C-BAL</p> <p>TO CONFIGURE, SHOW MODEL, FINISH AND ANY PERTINENT ACCESSORIES</p>	<p><b>FINISH</b></p> <p>STANDARD TEXTURED FINISH</p> <p><input type="checkbox"/> BLACK ..... RAL-9005-T</p> <p><input type="checkbox"/> WHITE ..... RAL-9003-T</p> <p><input type="checkbox"/> GREY ..... RAL-7004-T</p> <p><input type="checkbox"/> DARK BRONZE ..... RAL-8019-T</p> <p><input type="checkbox"/> GREEN ..... RAL-6005-T</p> <p>FOR SMOOTH FINISH REPLACE SUFFIX "T" WITH SUFFIX "S" (EXAMPLE: RAL-9500-S)</p> <p>SEE USALTG.COM FOR ADDITIONAL COLORS</p>	<p><b>ACCESSORIES</b></p> <p><input type="checkbox"/> MAILBOX - SINGLE ..... MBS</p> <p><input type="checkbox"/> MAILBOX-DOUBLE ..... MBD</p> <p><input type="checkbox"/> DUPLEX RECEPTACLE ..... DUP</p> <p><input type="checkbox"/> GROUND FAULT RECEPTACLE ..... GFI</p> <p>BOLLARD EYE BOLT</p> <p><input type="checkbox"/> SINGLE ..... BEB</p> <p><input type="checkbox"/> DOUBLE ..... BEB/2-180</p>