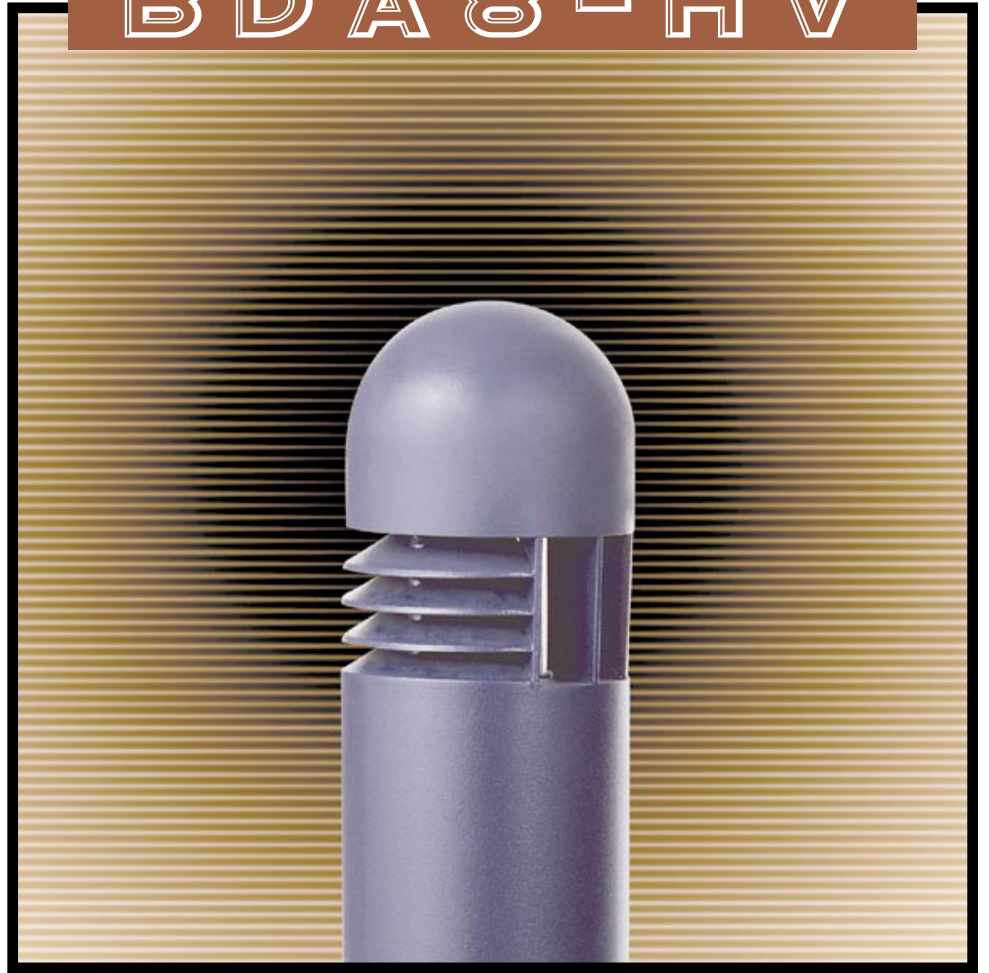
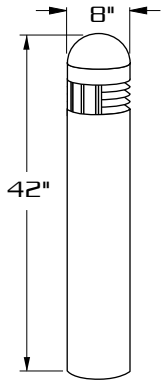


BDA8-HV

[100 WATT MAX.]



CAST LOUVER



CAST LOUVER



CAST LOUVER



CAST LOUVER

SPECIFICATIONS

HOUSING: HEAVY WALL EXTRUDED ALUMINUM CONSTRUCTION.

TOP CAP: DURABLE, CORROSION RESISTANT CAST ALUMINUM CONSTRUCTION.

OPTICAL TRAIN: DURABLE, CORROSION RESISTANT CAST ALUMINUM LOUVER SYSTEM. 180° OF LOUVER SYSTEM PROVIDES HORIZONTAL ILLUMINATION WITH A 30° CUT-OFF FOR BRIGHTNESS CONTROL. THE OTHER 180° PROVIDES VERTICAL ILLUMINATION. H.I.D. UNITS SUPPLIED WITH INTERNAL GLASS DIFFUSER. FLUORESCENT UNITS SUPPLIED WITH INTERNAL POLYCARBONATE DIFFUSER.

GASKETING: CLOSED CELL SILICONE.

LAMP HOLDER: MEDIUM BASE PORCELAIN.

LAMP: [BY OTHERS]

BALLAST: H.P.F./C.W.A. AUTOTRANSFORMER, -20° STARTING TEMPERATURE. ELECTRICAL COMPONENTS ARE MOUNTED TO REMOVABLE BALLAST TRAY FOR MAINTENANCE EASE. BALLAST EQUIPPED WITH FACTORY INSTALLED QUICK DISCONNECT PLUG.

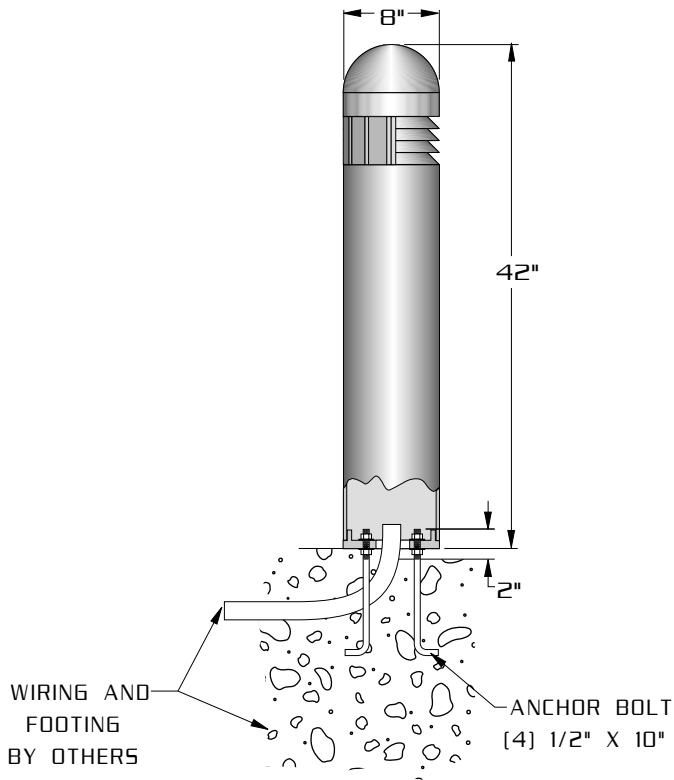
BASE PLATE: PRECISE ONE PIECE CAST ALUMINUM CONSTRUCTION. ANCHOR PLATE IS MECHANICALLY FASTENED TO HOUSING.

ANCHORAGE: (4) 3/8"X10" FULLY GALVANIZED ANCHOR BOLTS EACH SUPPLIED WITH TWO NUTS AND TWO WASHERS.

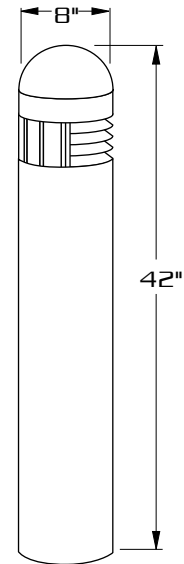
FINISH: POLYESTER POWDER COAT-STATE OF THE ART 20 PSI PRESSURE POWER WASH AT 140° TEMPERATURE INCORPORATES FOUR STEP IRON PHOSPHATE PROCESS TO CLEANSE AND PRETREAT THE METAL SURFACE FOR MAXIMUM PAINT ADHESION. ELECTROSTATICALLY APPLIED TEXTURED POLYESTER POWDER TOPCOAT IS BAKED AT 400° TEMPERATURE FOR MAXIMUM HARDNESS AND EXTERIOR DURABILITY.



INSTALLATION

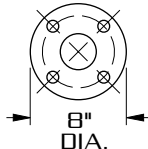


**LAMP SIZE:
13 - 100 WATT**



EXTRUDED ALUMINUM CONSTRUCTION.
INTEGRAL CAST ALUMINUM BALLAST HOUSING.

ORDERING INFORMATION

MODEL NO. : BDA8-HV	OPTICS	WATTAGE TYPE VOLTAGE	MOUNTING	FINISH	OPTIONS
MODEL NO. : BDA8-HV	OPTICS	LAMP	MOUNTING	FINISH	OPTIONS
	STANDARD: <input type="checkbox"/> CAST ALUMINUM LOUVER CL	WATTAGE TYPE VOLTAGE <input type="checkbox"/> 100 <input type="checkbox"/> HPS <input type="checkbox"/> 120 <input type="checkbox"/> 75 <input type="checkbox"/> MH <input type="checkbox"/> 277 <input type="checkbox"/> 70 <input type="checkbox"/> MV <input type="checkbox"/> MT <input type="checkbox"/> 50 <input type="checkbox"/> PL <input type="checkbox"/> 35 <input type="checkbox"/> INC <input type="checkbox"/> 26 <input type="checkbox"/> 18 <input type="checkbox"/> 13	GROUND INSTALLATION 8" DIA. BOLLARD 6" DIA. BOLT CIRCLE  8" DIA. ANCHOR BOLT (4) 3/8" X 10"	STANDARD TEXTURED FINISH <input type="checkbox"/> BLACK RAL-9005-T <input type="checkbox"/> WHITE RAL-9003-T <input type="checkbox"/> GREY RAL-7004-T <input type="checkbox"/> DRK BRONZE RAL-8019-T <input type="checkbox"/> GREEN RAL-6005-T FOR SMOOTH FINISH REMOVE SUFFIX "T" (EXAMPLE: RAL-9500) SEE WEBSITE FOR ADDITIONAL COLORS	<input type="checkbox"/> HOUSE SIDE SHIELD 90° HS 90° 135° HS 135° 180° HS 180° <input type="checkbox"/> DUPLEX RECEPTACLE DUP <input type="checkbox"/> GROUND FAULT RECEPTACLE GFI <input type="checkbox"/> SINGLE FUSE (120V., 277V) SF <input type="checkbox"/> DOUBLE FUSE (208V., 240V) DF OPTIONAL HEIGHTS: <input type="checkbox"/> 30" <input type="checkbox"/> 36"