

# SOLID STATE BOLLARDS

## BDAC18 SERIES-LED

### SPECIFICATIONS

#### CONCRETE RISER

Natural precast concrete body with light sandblast finish. A graffiti resistant sealer is applied to the surface. Internal electro-zinc plated steel cage provides additional strength for the structure and has threaded inserts welded to it for mounting the base plate and optical assembly. Base plate is 1/4" galvanized steel.

#### TOP CAP

Durable, corrosion resistant cast aluminum (A356 alloy; <0.2% copper) construction.

#### LED POWER ARRAY™

Three-dimensional array consisting of (6) or (8) individual LED Tubes fastened to a retaining plate. Each LED Tube consists of circuit board populated with a multiple of LED's and is mechanically fastened to a radial aluminum heat sink. An acrylic lens and end cap protects the LED Tube's internal components.

**CAST LOUVER (CL)** - External louver stack consisting of individual cast aluminum (A356 alloy; <0.2% copper) louver vanes which index together and are mechanically bonded to form a unified assembly. The louver stack is fastened to the concrete riser via threaded inserts. An internal clear acrylic lens is integrated with the LED Power Array module.

#### LED EMITTERS

High Output LED's are driven at 350mA for nominal 1 Watt output each. 70CRI Minimum. LED's are available in standard Neutral White (4000K), or optional Cool White (5000K) or Warm White (3000K). Consult Factory for other LED options.

#### LED DRIVER

UL and CUL recognized Constant Current LED drivers operate on input voltages from 120-277VAC, 50/60hz. Consult Factory for (347-480VAC). Driver is mechanically fastened to a retaining bracket. Driver has a minimum 4KV of internal surge protection, 10KV & 20KV Surge Protector optional. Dimmable and High-Low Driver options available.

#### FINISH

Polyester powder coat incorporates four step iron phosphate process to pretreat metal surface for maximum adhesion. Top coat is baked at 400°F for maximum hardness and exterior durability.

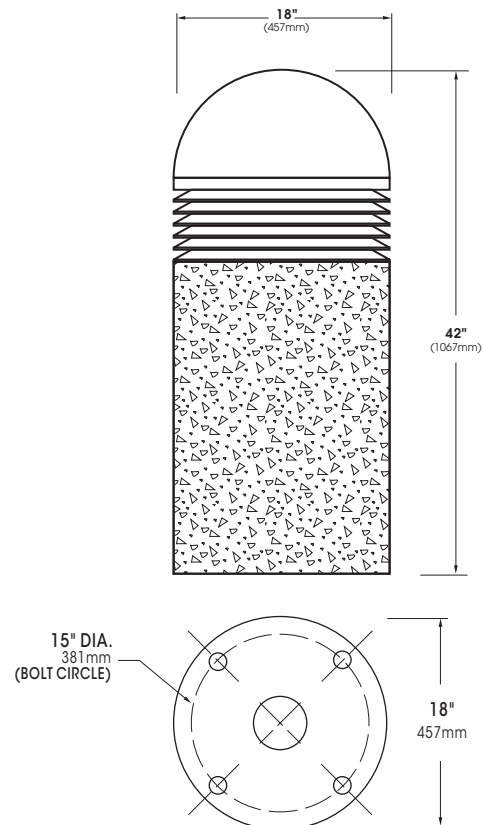
PROJECT NAME: \_\_\_\_\_

FIXTURE TYPE: \_\_\_\_\_



**BDAC18**

PATENT PENDING

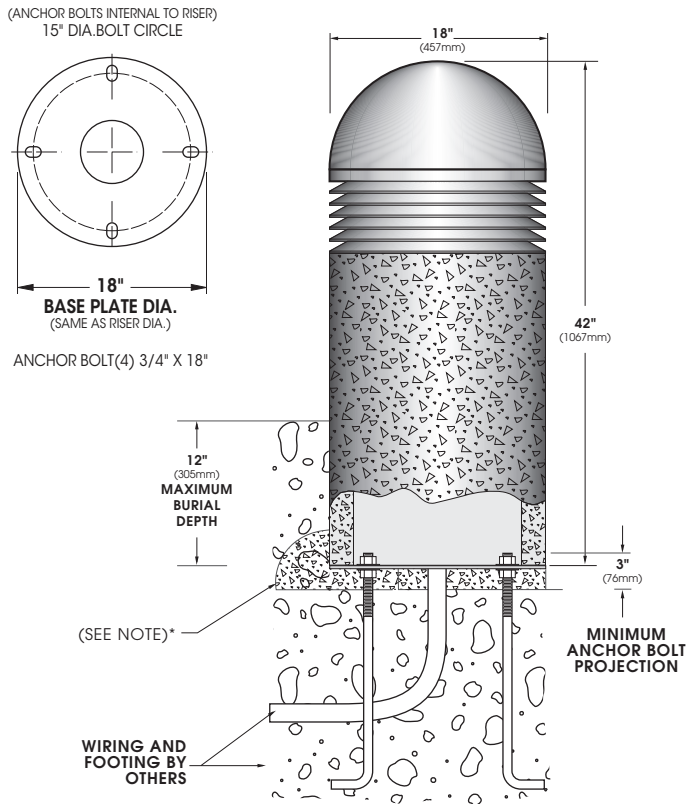


2013253

# BDAC18 SERIES-LED

## S P E C I F I C A T I O N S

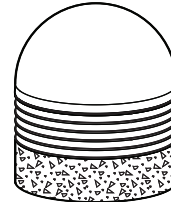
### INSTALLATION



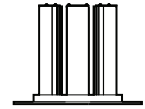
\*When mounting in soil, anchor bolt fasteners and other hardware must be protected from soil by grouting.

### OPTICS

CAST LOUVER



CL



VPA - Vertical Array  
Available in:  
48 LED Max.

## O R D E R I N G I N F O R M A T I O N

BOLLARD	OPTICS	# of LED's	COLOR	VOLTAGE	MOUNTING	FINISH	OPTIONS
<input type="checkbox"/> <b>BDAC18-LED</b>	<input type="checkbox"/> <b>VERTICAL POWER ARRAY</b> <input type="checkbox"/> CAST LOUVER .....CL	<input type="checkbox"/> <b>48LED</b> (53 Watts) <input type="checkbox"/> <b>36LED</b> (42 Watts) <input type="checkbox"/> <b>24LED</b> (28 Watts)	<input type="checkbox"/> <b>NW</b> (4000K) Standard <input type="checkbox"/> <b>CW</b> (5000K) <input type="checkbox"/> <b>WW</b> (3000K)  OTHER LED COLORS AVAILABLE CONSULT FACTORY	<b>VOLTAGE</b> <input type="checkbox"/> 120 <input type="checkbox"/> 208 <input type="checkbox"/> 240 <input type="checkbox"/> 277 <input type="checkbox"/> 347 <input type="checkbox"/> 480	<input type="checkbox"/> <b>GROUND INSTALLATION</b> ..... (STANDARD) <input type="checkbox"/> <b>DIRECT BURIAL</b> ..... <b>DB</b>	<b>STANDARD TEXTURED FINISH</b> <input type="checkbox"/> <b>BLACK RAL-9005-T</b> <input type="checkbox"/> <b>WHITE RAL-9003-T</b> <input type="checkbox"/> <b>GREY RAL-7004-T</b> <input type="checkbox"/> <b>DARK BRONZE RAL-8019-T</b> <input type="checkbox"/> <b>GREEN RAL-6005-T</b>  FOR SMOOTH FINISH REMOVE SUFFIX "T" (EXAMPLE: RAL-9500)  SEE USALTG.COM FOR ADDITIONAL COLORS	<input type="checkbox"/> <b>DIMMABLE DRIVER</b> (0-10V PROVIDED) ..... <b>DIM</b> <input type="checkbox"/> <b>HIGH-LOW DIMMING FOR HARDWIRED SWITCHING OR NONINTEGRATED MOTION SENSOR</b> ..... <b>HLSW</b> <input type="checkbox"/> <b>INTERNAL HOUSE SIDE SHIELD</b> ... <b>HS</b> <input type="checkbox"/> <b>DUPLEX RECEPTACLE</b> ..... <b>DUP-C</b> (CONSULT FACTORY) <input type="checkbox"/> <b>GROUND FAULT RECEPTACLE</b> ..... <b>GFI-C</b> (CONSULT FACTORY) <input type="checkbox"/> <b>10KV SURGE PROTECTOR</b> ..... <b>10SP</b> <input type="checkbox"/> <b>20KV SURGE PROTECTOR</b> (277V & 480V Only) ..... <b>20SP</b>  <b>OPTIONAL HEIGHTS:</b> <input type="checkbox"/> 30" <input type="checkbox"/> 36"