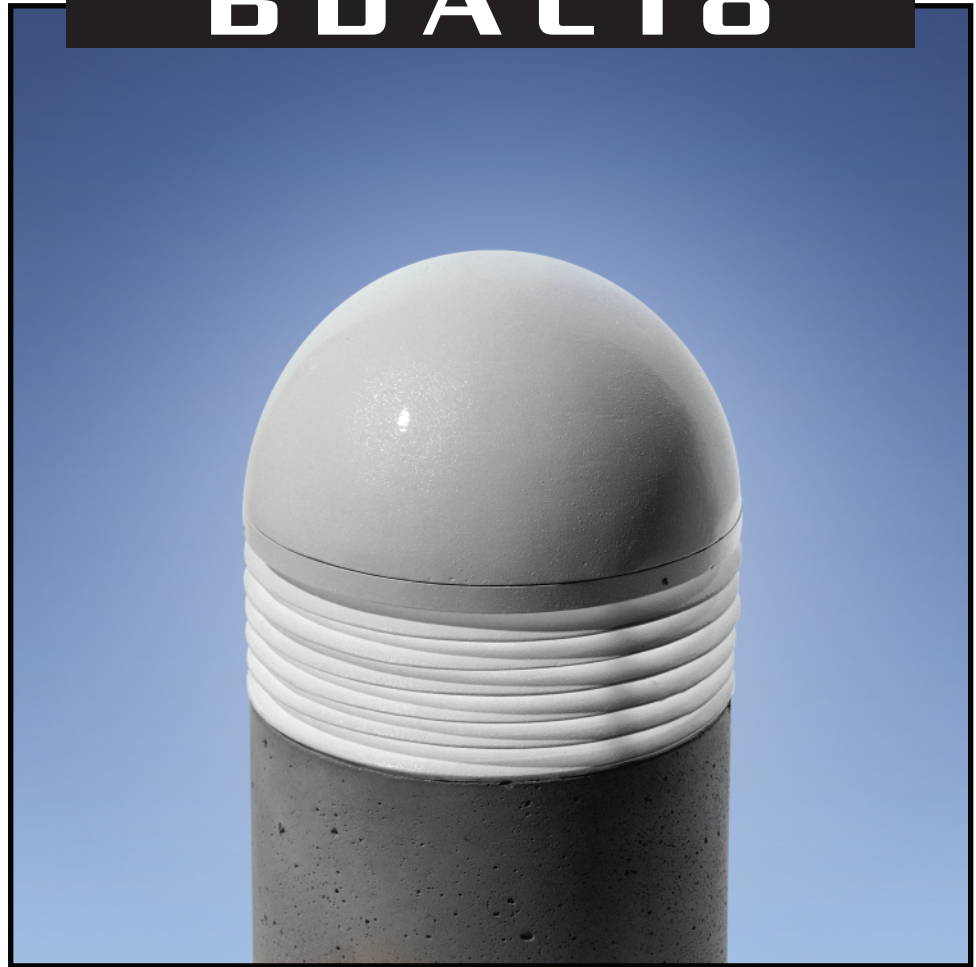
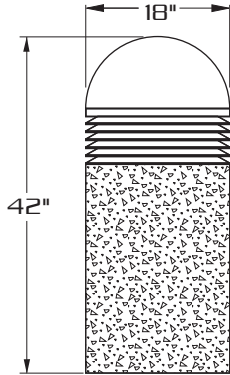


[175 WATT MAX.]

BDAC18



CAST LOUVER



CAST LOUVER



CAST LOUVER



CAST LOUVER

SPECIFICATIONS

HOUSING: NATURAL PRECAST CONCRETE. LIGHT SANDBLAST FINISH.

TOP CAP: DURABLE. CORROSION RESISTANT CAST ALUMINUM CONSTRUCTION.

OPTICAL TRAIN: DURABLE. CORROSION RESISTANT CAST ALUMINUM LOUVER SYSTEM PROVIDES 30° CUT-OFF FOR BRIGHTNESS CONTROL. INTERNAL CLEAR ACRYLIC LENS SURROUNDS LAMP.

GASKETING: CLOSED CELL SILICONE.

LAMP HOLDER: MEDIUM BASE PORCELAIN.

LAMP: (BY OTHERS)

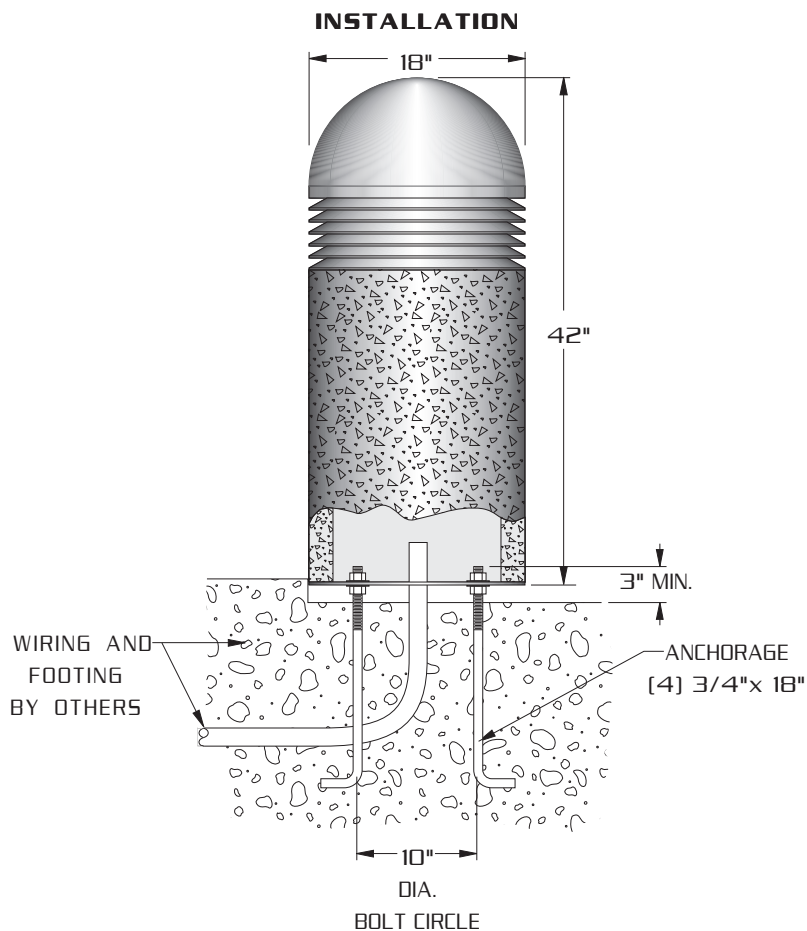
BALLAST: H.P.F./C.W.A. AUTOTRANSFORMER. -20° STARTING TEMPERATURE. ELECTRICAL COMPONENTS ARE MOUNTED TO A REMOVABLE BALLAST TRAY. BALLAST IS EQUIPPED WITH FACTORY INSTALLED QUICK DISCONNECT PLUG.

BASE PLATE: STEEL PLATE SUPPLIED WITH (4) 1" DIA. HOLES FOR ANCHORAGE. ANCHOR PLATE IS MECHANICALLY FASTENED TO HOUSING.

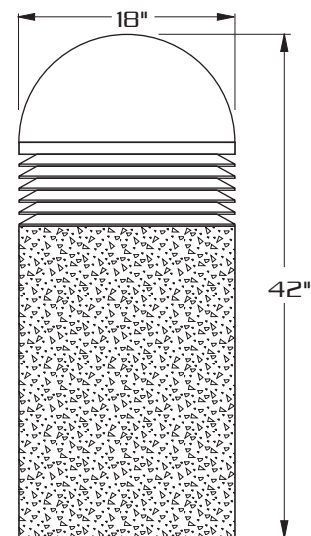
ANCHORAGE: (4) 3/4"X18" FULLY GALVANIZED ANCHOR BOLTS EACH SUPPLIED WITH TWO NUTS AND TWO WASHER.

FINISH: HOUSING-LIGHT SANDBLAST FINISH.
CAP AND OPTICAL SECTION-POLYESTER POWDER COAT-STATE OF THE ART 20 PSI PRESSURE POWER WASH AT 140° TEMPERATURE INCORPORATES FOUR STEP IRON PHOSPHATE PROCESS TO CLEANSE AND PRETREAT THE METAL SURFACE FOR MAXIMUM PAINT ADHESION. ELECTROSTATICALLY APPLIED TEXTURED POLYESTER POWDER TOPCOAT IS BAKED AT 400° TEMPERATURE FOR MAXIMUM HARDNESS AND EXTERIOR DURABILITY.





**LAMP SIZE:
42 - 175 WATT**



**PRECAST CONCRETE.
LIGHT SANDBLAST FINISH.**

ORDERING INFORMATION

MODEL NO. : BDAC18	OPTICS	WATTAGE TYPE VOLTAGE	MOUNTING	FINISH	OPTIONS
B D A C 1 8	<input type="checkbox"/> CAST ALUMINUM LOUVER CL	<input type="checkbox"/> 175' <input type="checkbox"/> PSMH <input type="checkbox"/> 120 <input type="checkbox"/> 150 <input type="checkbox"/> HPS <input type="checkbox"/> 277 <input type="checkbox"/> 100 <input type="checkbox"/> PL ² <input type="checkbox"/> MT <input type="checkbox"/> 70 <input type="checkbox"/> 50 <input type="checkbox"/> 42	GROUND INSTALLATION 10" DIA. BOLT CIRCLE 18" DIA. ANCHOR BOLT (4) 3/4" X 18"	CAP & OPTICAL SECTION STANDARD TEXTURED FINISH <input type="checkbox"/> BLACK RAL-9005-T <input type="checkbox"/> WHITE RAL-9003-T <input type="checkbox"/> GREY RAL-7004-T <input type="checkbox"/> DRK BRONZE RAL-8019-T <input type="checkbox"/> GREEN RAL-6005-T FOR SMOOTH FINISH REMOVE SUFFIX "T" (EXAMPLE: RAL-9500) SEE WEBSITE FOR ADDITIONAL COLORS HOUSING <input type="checkbox"/> NATURAL CONCRETE NAT <input type="checkbox"/> OTHER	<input type="checkbox"/> HOUSE SIDE SHIELD 90° HS 90° 135° HS 135° 180° HS 180° <input type="checkbox"/> DUPLEX RECEPTACLE. DUP <input type="checkbox"/> GROUND FAULT RECEPTACLE. GFI <input type="checkbox"/> SINGLE FUSE (120V., 277V) SF <input type="checkbox"/> DOUBLE FUSE (208V., 240V) DF
		1- LAMP TAKES MOGUL SOCKET 2- 42 WATT MAX. FOR PL LAMP LED AVAILABLE 120/277 VOLT ONLY CONSULT FACTORY			OPTIONAL HEIGHTS: <input type="checkbox"/> 30" <input type="checkbox"/> 36"