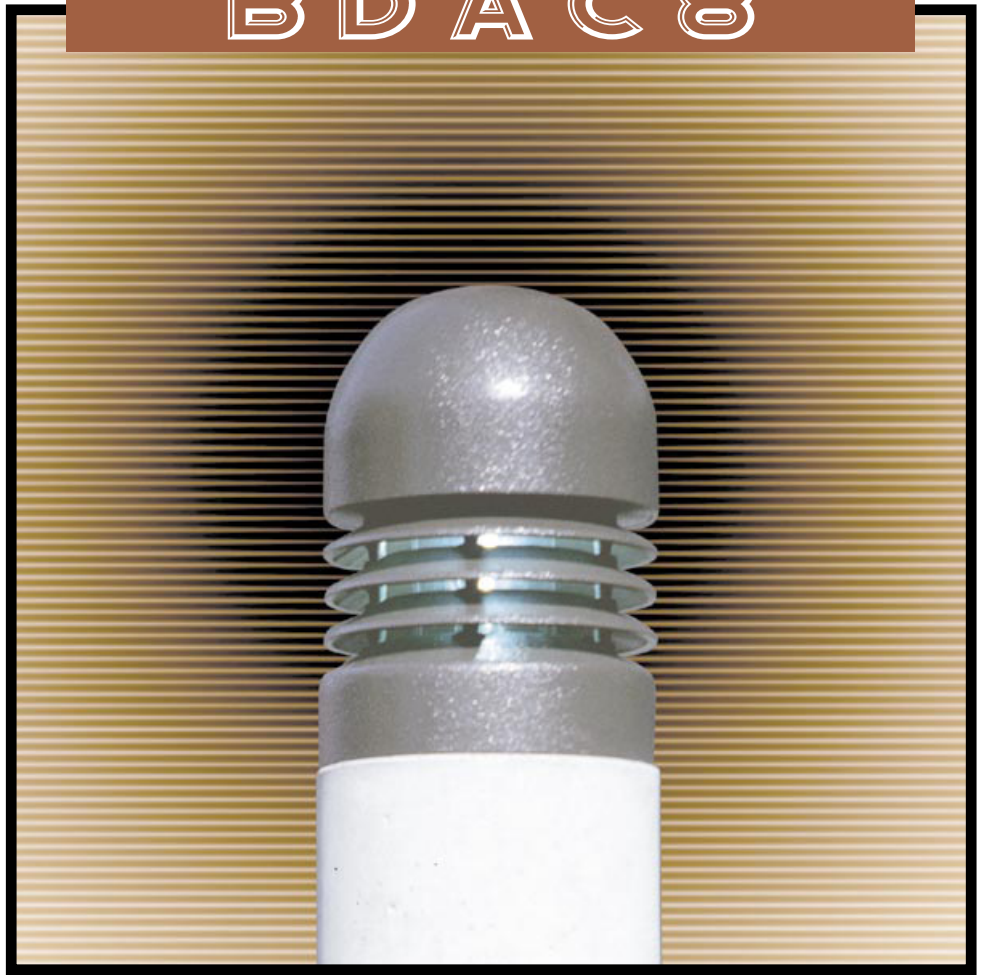
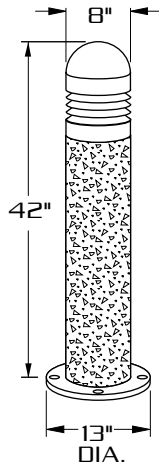


B D A C 8

[100 WATT MAX.]



CAST LOUVER



INTERNAL LOUVER



OPAL DIFFUSER



PRIS. GLASS REFRACTOR

SPECIFICATIONS

HOUSING: NATURAL PRECAST CONCRETE. LIGHT SANDBLAST FINISH.

TOP CAP: DURABLE. CORROSION RESISTANT CAST ALUMINUM CONSTRUCTION.

OPTICAL TRAIN: [CL] DURABLE. CORROSION RESISTANT CAST ALUMINUM LOUVER SYSTEM PROVIDES 30° CUT-OFF FOR BRIGHTNESS CONTROL. H.I.D. UNITS SUPPLIED WITH INTERNAL CLEAR BOROSILICATE GLASS DIFFUSER. FLUORESCENT UNITS SUPPLIED WITH INTERNAL CLEAR POLYCARBONATE DIFFUSER.

OPTICAL OPTIONS:

[IL] CLEAR ACRYLIC LENS SURROUNDS ANODIZED ALUMINUM LOUVER TRAIN.

[PG] CLEAR ACRYLIC LENS SURROUNDS PRISMATIC GLASS REFRACTOR.

[WA] 1/4" OPAL ACRYLIC DIFFUSER.

GASKETING: CLOSED CELL SILICONE.

LAMP HOLDER: MEDIUM BASE PORCELAIN.

LAMP: [BY OTHERS]

BALLAST: H.P.F./C.W.A. AUTOTRANSFORMER. -20° STARTING TEMPERATURE. ELECTRICAL COMPONENTS ARE MOUNTED TO A REMOVABLE BALLAST TRAY. BALLAST IS EQUIPPED WITH FACTORY INSTALLED QUICK DISCONNECT PLUG.

BASE PLATE: ALUMINUM PLATE SUPPLIED WITH (4) 1" DIA. HOLES FOR ANCHORAGE. PLATE IS MECHANICALLY FASTENED TO HOUSING.

ANCHORAGE: (4) 3/4"X18" FULLY GALVANIZED ANCHOR BOLTS EACH SUPPLIED WITH TWO NUTS AND TWO WASHER.

FINISH: HOUSING-LIGHT SANDBLAST FINISH.

CAP AND OPTICAL SECTION-POLYESTER POWDER COAT-STATE OF THE ART 20 PSI PRESSURE POWER WASH AT 140° TEMPERATURE INCORPORATES FOUR STEP IRON PHOSPHATE PROCESS TO CLEANSE AND PRETREAT THE METAL SURFACE FOR MAXIMUM PAINT ADHESION. ELECTROSTATICALLY APPLIED TEXTURED POLYESTER POWDER TOPCOAT IS BAKED AT 400° TEMPERATURE FOR MAXIMUM HARDNESS AND EXTERIOR DURABILITY.



STANDARD: **OPTICS**

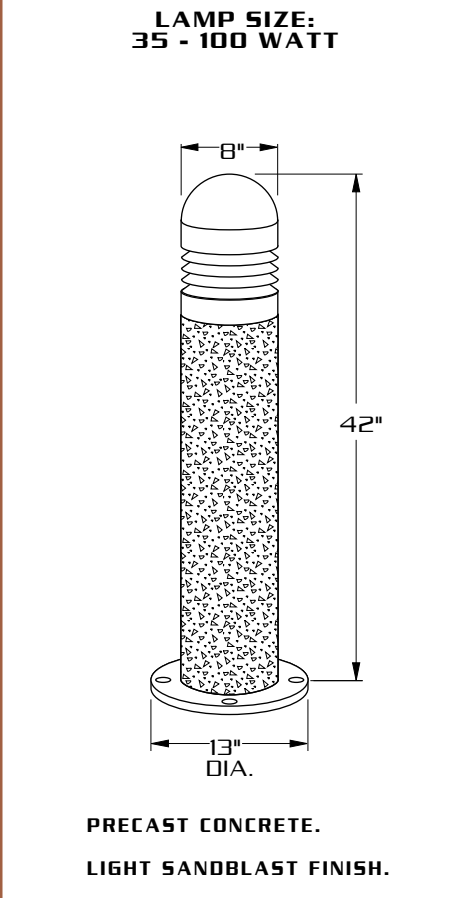
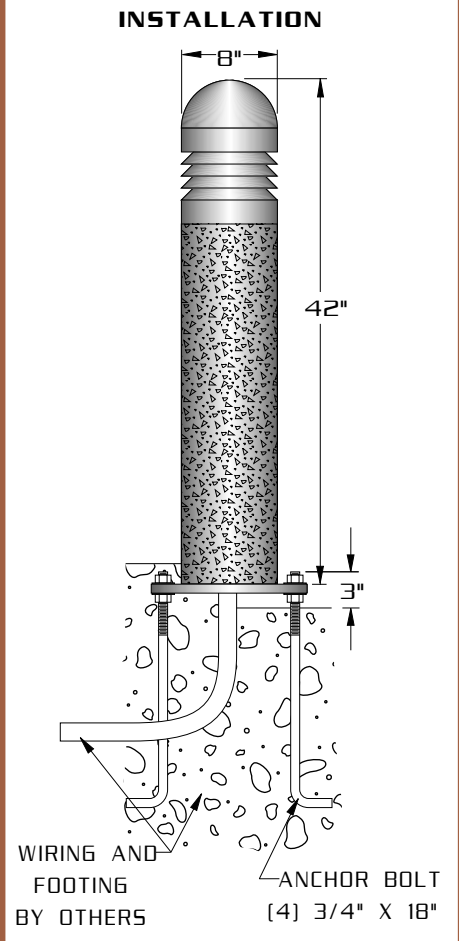
(CL) CAST LOUVER
H.I.D. UNITS SUPPLIED WITH INTERNAL GLASS DIFFUSER
FLUORESCENT UNITS SUPPLIED WITH INTERNAL POLYCARBONATE DIFFUSER

OPTIONS:

(IL) INTERNAL LOUVER
SUPPLIED WITH CLEAR ACRYLIC LENS

(PG) PRISMATIC GLASS
SUPPLIED WITH CLEAR ACRYLIC LENS

(WA) OPAL DIFFUSER



ORDERING INFORMATION

| MODEL NO. : | OPTICS | WATTAGE | TYPE | VOLTAGE | MOUNTING | FINISH | OPTIONS |
|--------------|--------|---------|------|---------|----------|--------|---------|
| BDAC8 | | | | | | | |

| MODEL NO. : | OPTICS | LAMP | MOUNTING | FINISH | OPTIONS |
|----------------------------------|--|---|--|--|---|
| B D A C 8 | STANDARD: <input type="checkbox"/> CAST ALUMINUM LOUVER CL OPTIONS: <input type="checkbox"/> INTERNAL LOUVER IL <input type="checkbox"/> PRISMATIC GLASS TYPE V PG-V <input type="checkbox"/> PRISMATIC GLASS TYPE III PG-III <input type="checkbox"/> OPAL ACRYLIC WA | WATTAGE TYPE VOLTAGE <input type="checkbox"/> 100 <input type="checkbox"/> HPS <input type="checkbox"/> 120 <input type="checkbox"/> 75 <input type="checkbox"/> MH <input type="checkbox"/> 277 <input type="checkbox"/> 70 <input type="checkbox"/> MV <input type="checkbox"/> MT <input type="checkbox"/> 50 <input type="checkbox"/> PL <input type="checkbox"/> 42 <input type="checkbox"/> 35 | GROUND INSTALLATION 11" DIA. BOLT CIRCLE 13" DIA. ANCHOR BOLT (4) 3/4" X 18" | CAP & OPTICAL SECTION STANDARD TEXTURED FINISH <input type="checkbox"/> BLACK RAL-9005-T <input type="checkbox"/> WHITE RAL-9003-T <input type="checkbox"/> GREY RAL-7004-T <input type="checkbox"/> DRK BRONZE RAL-8019-T <input type="checkbox"/> GREEN RAL-6005-T FOR SMOOTH FINISH REMOVE SUFFIX "T" (EXAMPLE: RAL-9500) SEE WEBSITE FOR ADDITIONAL COLORS HOUSING <input type="checkbox"/> NATURAL CONCRETE NAT <input type="checkbox"/> OTHER | <input type="checkbox"/> HOUSE SIDE SHIELD 90° HS 90° 135° HS 135° 180° HS 180° <input type="checkbox"/> SINGLE FUSE (120V., 277V) SF <input type="checkbox"/> DOUBLE FUSE (208V., 240V) DF OPTIONAL HEIGHTS: <input type="checkbox"/> 30" <input type="checkbox"/> 36" |