

SOLID STATE BOLLARDS

BDAR5 SERIES-LED

SPECIFICATIONS

GENERAL

Durable corrosion resistant extruded aluminum riser with a minimum wall thickness of .125". Top cap and vertical support flanges are cast aluminum (A356 alloy; <0.2% copper) construction and compress silicone gaskets top and bottom of the injection molded clear Fresnel lens. Base Plate cover is spun aluminum.

VERTICAL SUPPORTS

Solid aluminum rod drilled and tapped to accept stainless hex head screws.

SHIELDS/REFLECTORS

Angled Reflector (AR) is spun construction of .080" heavy wall aluminum. Flat Rings (FR) are cast aluminum (A356 alloy; < 0.2% copper) construction.

LED POWER ARRAY™

Three-dimensional array consisting of 6 individual LED tubes fastened to a retaining plate equally spaced to provide 360° of even illumination output. Each LED tube consists of a circuit board populated with a multiple of LED's which is fastened to a radial aluminum heat sink. A white acrylic lens and end caps protect each LED tube's internal components and provides diffusion to prevent shadowing and striations.

LED EMITTERS

High Output LED's are driven at 350mA for nominal 1 Watt output each. 70CRI Minimum. LED's are available in standard Neutral White (4000K), or optional Cool White (5000K) or Warm White (3000K). Consult Factory for other LED options.

LED DRIVER

UL and CUL recognized Constant Current LED drivers operate on input voltages from 120-277VAC, 50/60hz. Consult Factory for (347-480VAC). Driver is mechanically fastened to a retaining bracket. Driver has a minimum 4KV of internal surge protection, 10KV & 20KV Surge Protector optional. Dimmable and High-Low Driver options available.

FINISH

Polyester powder coat incorporates four step iron phosphate process to pretreat metal surface for maximum adhesion. Top coat is baked at 400°F for maximum hardness and exterior durability.

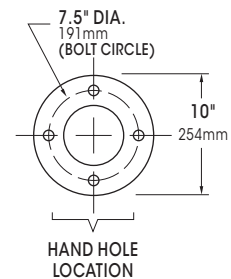
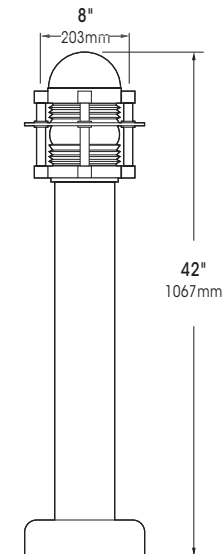
PROJECT NAME: _____

FIXTURE TYPE: _____



BDAR5

PATENT PENDING

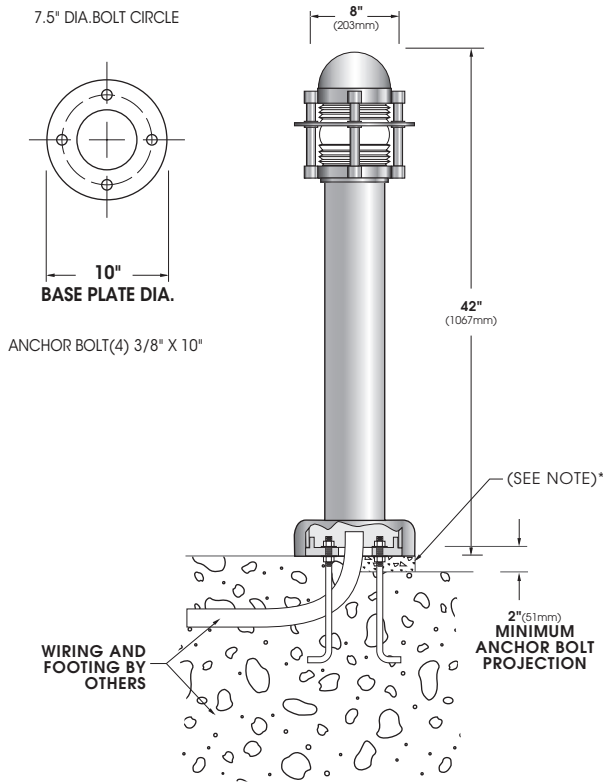


2013252

BDAR5 SERIES-LED

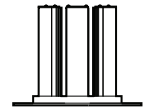
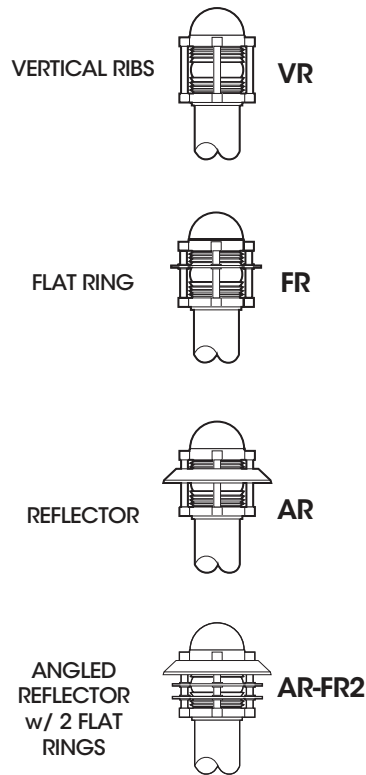
SPECIFICATIONS

INSTALLATION



*When mounting in soil, anchor bolt fasteners and other hardware must be protected from soil by grouting.

OPTICS



VPA - Vertical Array
Available in:
36 LED Max.

ORDERING INFORMATION

BOLLARD	OPTICS	# of LED's	COLOR	VOLTAGE	MOUNTING	FINISH	OPTIONS
BOLLARD	OPTICS	LED			MOUNTING	FINISH	OPTIONS
<input type="checkbox"/> BDAR5-LED	<input type="checkbox"/> VERTICAL RIBS VR <input type="checkbox"/> FLAT RING FR <input type="checkbox"/> ANGLED REFLECTOR . . . AR <input type="checkbox"/> ANGLED REFLECTOR WITH 2 FLAT RINGS AR-FR2	<input type="checkbox"/> 36LED (42 Watts) <input type="checkbox"/> 24LED (28 Watts)	<input type="checkbox"/> NW (4000K) Standard <input type="checkbox"/> CW (5000K) <input type="checkbox"/> WW (3000K) OTHER LED COLORS AVAILABLE CONSULT FACTORY	VOLTAGE <input type="checkbox"/> 120 <input type="checkbox"/> 208 <input type="checkbox"/> 240 <input type="checkbox"/> 277 <input type="checkbox"/> 347 <input type="checkbox"/> 480	GROUND INSTALLATION	STANDARD TEXTURED FINISH <input type="checkbox"/> BLACK RAL-9005-T <input type="checkbox"/> WHITE RAL-9003-T <input type="checkbox"/> GREY RAL-7004-T <input type="checkbox"/> DARK BRONZE RAL-8019-T <input type="checkbox"/> GREEN RAL-6005-T FOR SMOOTH FINISH REMOVE SUFFIX "T" (EXAMPLE: RAL-9500) SEE USALTG.COM FOR ADDITIONAL COLORS	<input type="checkbox"/> DIMMABLE DRIVER (0-10V PROVIDED) DIM <input type="checkbox"/> HIGH-LOW DIMMING FOR HARDWIRED SWITCHING OR NONINTEGRATED MOTION SENSOR HLSW <input type="checkbox"/> INTERNAL HOUSE SIDE SHIELD HS <input type="checkbox"/> DUPLEX RECEPTACLE DUP <input type="checkbox"/> GROUND FAULT RECEPTACLE GFI <input type="checkbox"/> 10KV SURGE PROTECTOR 10SP <input type="checkbox"/> 20KV SURGE PROTECTOR (277V & 480V Only) 20SP OPTIONAL HEIGHTS: <input type="checkbox"/> 30" <input type="checkbox"/> 36"