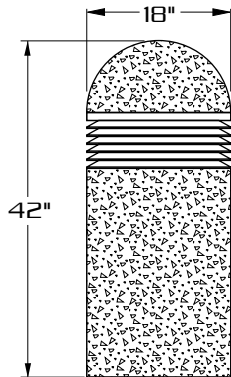


BDC18

[175 WATT MAX.]



CAST LOUVER



CAST LOUVER



CAST LOUVER



CAST LOUVER

SPECIFICATIONS

HOUSING: NATURAL PRECAST CONCRETE. LIGHT SANDBLAST FINISH.

TOP CAP: NATURAL PRECAST CONCRETE. LIGHT SANDBLAST FINISH.

OPTICAL TRAIN: DURABLE, CORROSION RESISTANT CAST ALUMINUM LOUVER SYSTEM PROVIDES 30° CUT-OFF FOR BRIGHTNESS CONTROL. INTERNAL CLEAR ACRYLIC LENS SURROUNDS LAMP.

GASKETING: CLOSED CELL SILICONE.

LAMP HOLDER: MEDIUM BASE PORCELAIN.

LAMP: [BY OTHERS]

BALLAST: H.P.F./C.W.A. AUTOTRANSFORMER. -20° STARTING TEMPERATURE. ELECTRICAL COMPONENTS ARE MOUNTED TO A REMOVABLE BALLAST TRAY. BALLAST IS EQUIPPED WITH FACTORY INSTALLED QUICK DISCONNECT PLUG.

BASE PLATE: STEEL PLATE SUPPLIED WITH (4) 1" DIA. HOLES FOR ANCHORAGE. ANCHOR PLATE IS MECHANICALLY FASTENED TO HOUSING.

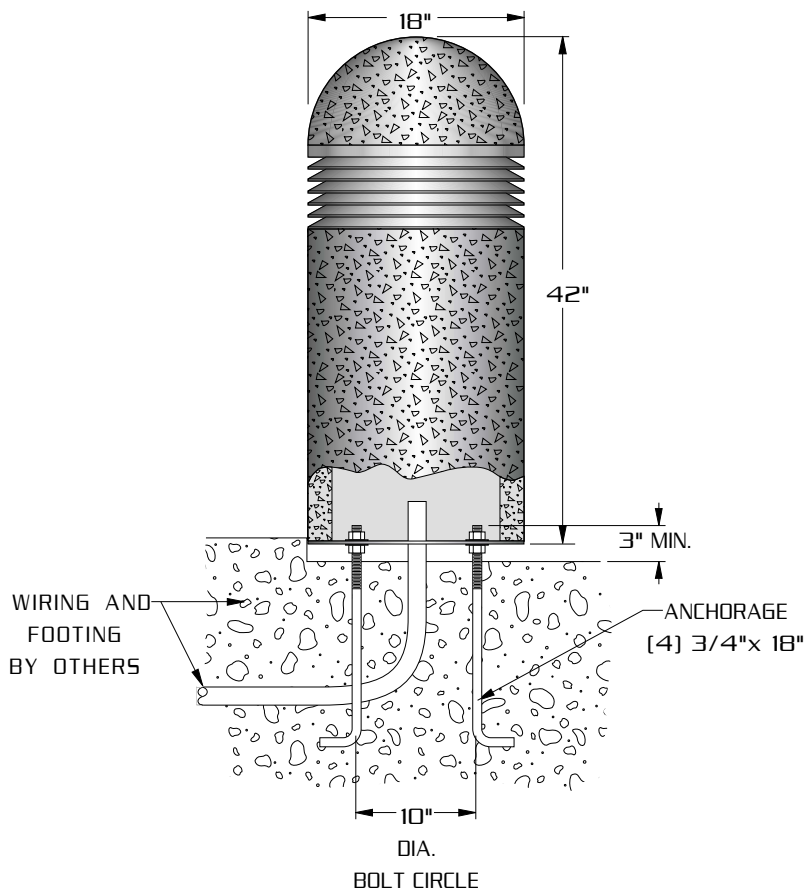
ANCHORAGE: (4) 3/4"X18" FULLY GALVANIZED ANCHOR BOLTS EACH SUPPLIED WITH TWO NUTS AND TWO WASHER.

FINISH: **CAP AND HOUSING-**LIGHT SANDBLAST FINISH.

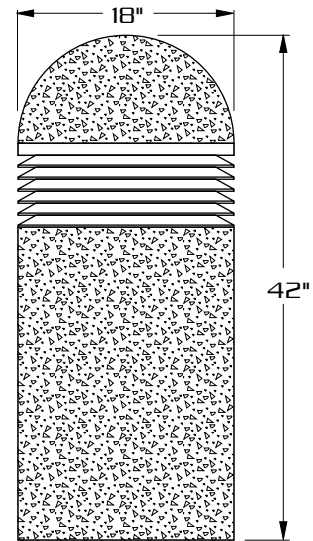
OPTICAL SECTION-POLYESTER POWDER COAT-STATE OF THE ART 20 PSI PRESSURE POWER WASH AT 140° TEMPERATURE INCORPORATES FOUR STEP IRON PHOSPHATE PROCESS TO CLEANSE AND PRETREAT THE METAL SURFACE FOR MAXIMUM PAINT ADHESION. ELECTROSTATICALLY APPLIED TEXTURED POLYESTER POWDER TOPCOAT IS BAKED AT 400° TEMPERATURE FOR MAXIMUM HARDNESS AND EXTERIOR DURABILITY.



INSTALLATION



**LAMP SIZE:
42 - 175 WATT**



**PRECAST CONCRETE.
LIGHT SANDBLAST FINISH.**

ORDERING INFORMATION

MODEL NO. : BDC18	OPTICS	WATTAGE TYPE VOLTAGE	MOUNTING	FINISH	OPTIONS																					
MODEL NO. : BDC18	OPTICS	LAMP	MOUNTING	FINISH	OPTIONS																					
BDC18	<input type="checkbox"/> CAST ALUMINUM LOUVER CL	<table border="0"> <tr> <td><input type="checkbox"/> 175</td> <td><input type="checkbox"/> HPS</td> <td><input type="checkbox"/> 120</td> </tr> <tr> <td><input type="checkbox"/> 150</td> <td><input type="checkbox"/> MH</td> <td><input type="checkbox"/> 277</td> </tr> <tr> <td><input type="checkbox"/> 100</td> <td><input type="checkbox"/> MV</td> <td><input type="checkbox"/> MT</td> </tr> <tr> <td><input type="checkbox"/> 75</td> <td><input type="checkbox"/> PL</td> <td></td> </tr> <tr> <td><input type="checkbox"/> 70</td> <td></td> <td></td> </tr> <tr> <td><input type="checkbox"/> 50</td> <td></td> <td></td> </tr> <tr> <td><input type="checkbox"/> 42</td> <td></td> <td></td> </tr> </table>	<input type="checkbox"/> 175	<input type="checkbox"/> HPS	<input type="checkbox"/> 120	<input type="checkbox"/> 150	<input type="checkbox"/> MH	<input type="checkbox"/> 277	<input type="checkbox"/> 100	<input type="checkbox"/> MV	<input type="checkbox"/> MT	<input type="checkbox"/> 75	<input type="checkbox"/> PL		<input type="checkbox"/> 70			<input type="checkbox"/> 50			<input type="checkbox"/> 42			<p>GROUND INSTALLATION</p> <p>10" DIA. BOLT CIRCLE</p> <p>18" DIA.</p> <p>ANCHOR BOLT (4) 3/4" X 18"</p>	<p>CAP & OPTICAL SECTION</p> <p>STANDARD TEXTURED FINISH</p> <p><input type="checkbox"/> BLACK RAL-9005-T</p> <p><input type="checkbox"/> WHITE RAL-9003-T</p> <p><input type="checkbox"/> GREY RAL-7004-T</p> <p><input type="checkbox"/> DRK BRONZE RAL-8019-T</p> <p><input type="checkbox"/> GREEN RAL-6005-T</p> <p>FOR SMOOTH FINISH REMOVE SUFFIX "T" (EXAMPLE: RAL-9500)</p> <p>SEE WEBSITE FOR ADDITIONAL COLORS</p> <p>HOUSING</p> <p><input type="checkbox"/> NATURAL CONCRETE NAT</p> <p><input type="checkbox"/> OTHER</p>	<p><input type="checkbox"/> HOUSE SIDE SHIELD</p> <p>90° HS 90°</p> <p>135° HS 135°</p> <p>180° HS 180°</p> <p><input type="checkbox"/> DUPLEX RECEPTACLE. DUP</p> <p><input type="checkbox"/> GROUND FAULT RECEPTACLE. GFI</p> <p><input type="checkbox"/> SINGLE FUSE (120V., 277V) SF</p> <p><input type="checkbox"/> DOUBLE FUSE (208V., 240V) DF</p> <p>OPTIONAL HEIGHTS:</p> <p><input type="checkbox"/> 30"</p> <p><input type="checkbox"/> 36"</p>
<input type="checkbox"/> 175	<input type="checkbox"/> HPS	<input type="checkbox"/> 120																								
<input type="checkbox"/> 150	<input type="checkbox"/> MH	<input type="checkbox"/> 277																								
<input type="checkbox"/> 100	<input type="checkbox"/> MV	<input type="checkbox"/> MT																								
<input type="checkbox"/> 75	<input type="checkbox"/> PL																									
<input type="checkbox"/> 70																										
<input type="checkbox"/> 50																										
<input type="checkbox"/> 42																										