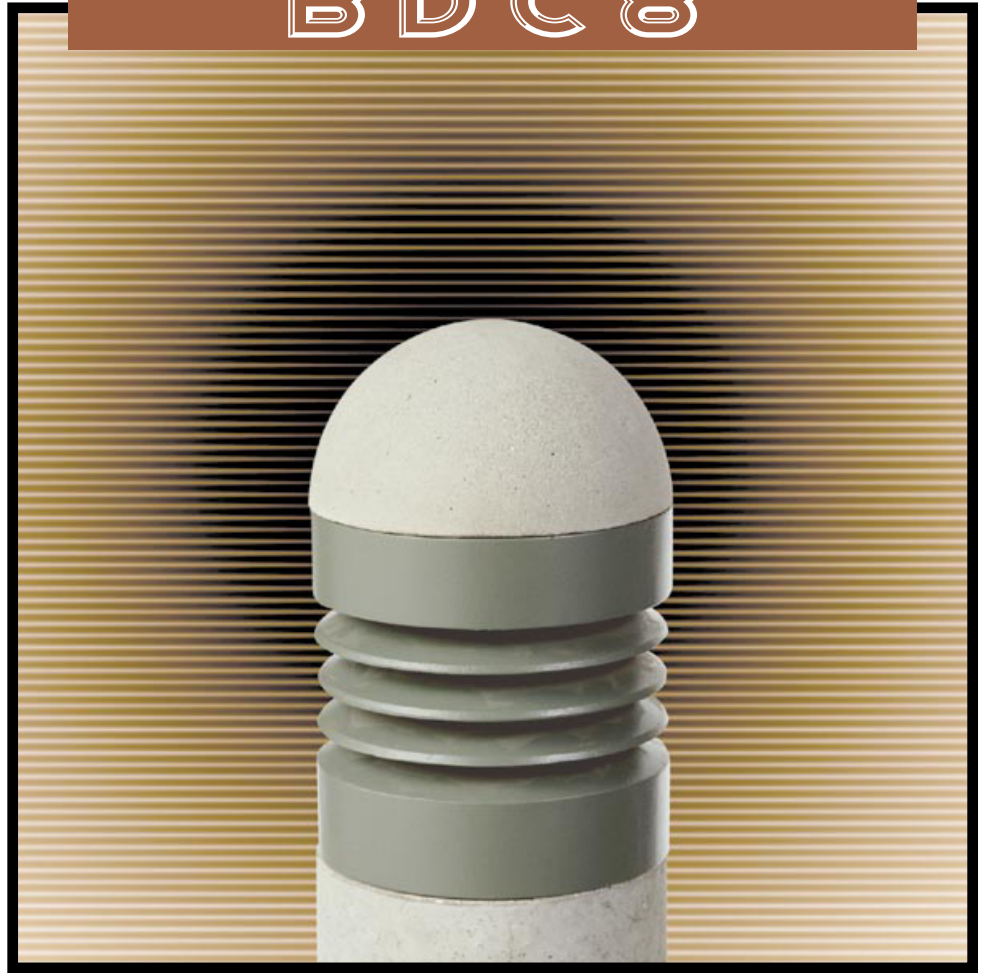
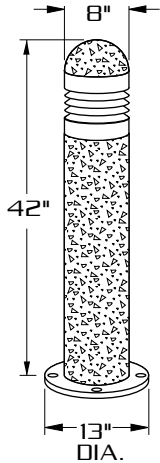


[100 WATT MAX.]

BDC8



CAST LOUVER



INTERNAL LOUVER



OPAL DIFFUSER



PRIS. GLASS REFRACTOR

SPECIFICATIONS

HOUSING: NATURAL PRECAST CONCRETE. LIGHT SANDBLAST FINISH.

TOP CAP: NATURAL PRECAST CONCRETE. LIGHT SANDBLAST FINISH.

OPTICAL TRAIN: [CL] DURABLE, CORROSION RESISTANT CAST ALUMINUM LOUVER SYSTEM PROVIDES 30° CUT-OFF FOR BRIGHTNESS CONTROL. H.I.D. UNITS SUPPLIED WITH INTERNAL CLEAR BOROSILICATE GLASS DIFFUSER. FLUORESCENT UNITS SUPPLIED WITH INTERNAL CLEAR POLYCARBONATE DIFFUSER.

OPTICAL OPTIONS:

[IL] CLEAR ACRYLIC LENS SURROUNDS ANODIZED ALUMINUM LOUVER TRAIN.

[PG] CLEAR ACRYLIC LENS SURROUNDS PRISMATIC GLASS REFRACTOR.

[WA] 1/4" OPAL ACRYLIC DIFFUSER.

GASKETING: CLOSED CELL SILICONE.

LAMP HOLDER: MEDIUM BASE PORCELAIN.

LAMP: [BY OTHERS]

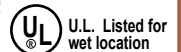
BALLAST: H.P.F./C.W.A. AUTOTRANSFORMER. -20° STARTING TEMPERATURE. ELECTRICAL COMPONENTS ARE MOUNTED TO A REMOVABLE BALLAST TRAY. BALLAST IS EQUIPPED WITH FACTORY INSTALLED QUICK DISCONNECT PLUG.

BASE PLATE: ALUMINUM PLATE SUPPLIED WITH [4] 1" DIA. HOLES FOR ANCHORAGE. PLATE IS MECHANICALLY FASTENED TO HOUSING.

ANCHORAGE: [4] 3/4"x18" FULLY GALVANIZED ANCHOR BOLTS EACH SUPPLIED WITH TWO NUTS AND TWO WASHER.

FINISH: CAP AND HOUSING-LIGHT SANDBLAST FINISH.

OPTICAL SECTION-POLYESTER POWDER COAT-STATE OF THE ART 20 PSI PRESSURE POWER WASH AT 140° TEMPERATURE INCORPORATES FOUR STEP IRON PHOSPHATE PROCESS TO CLEANSE AND PRETREAT THE METAL SURFACE FOR MAXIMUM PAINT ADHESION. ELECTROSTATICALLY APPLIED TEXTURED POLYESTER POWDER TOPCOAT IS BAKED AT 400° TEMPERATURE FOR MAXIMUM HARDNESS AND EXTERIOR DURABILITY.



STANDARD: **OPTICS**

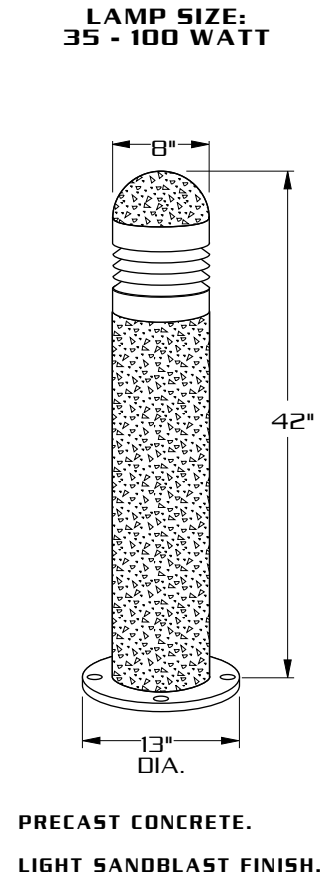
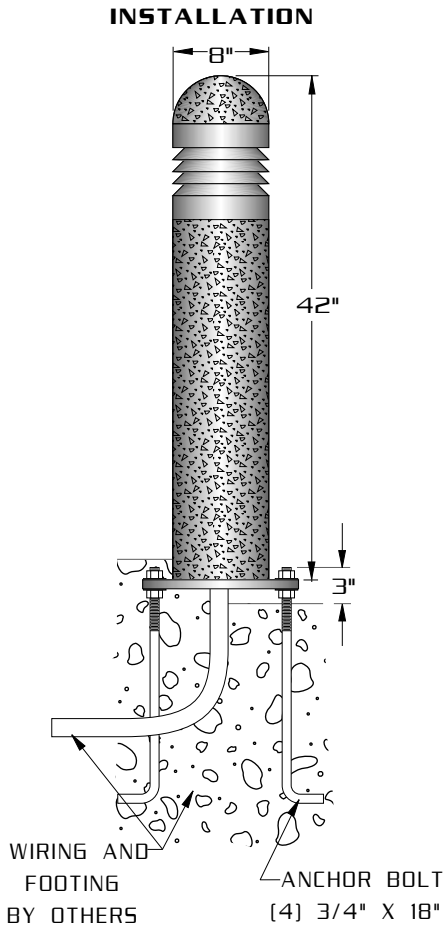
(CL) CAST LOUVER
H.I.D. UNITS SUPPLIED WITH INTERNAL GLASS DIFFUSER
FLUORESCENT UNITS SUPPLIED WITH INTERNAL POLYCARBONATE DIFFUSER

OPTIONS:

(IL) INTERNAL LOUVER
SUPPLIED WITH CLEAR ACRYLIC LENS

(PG) PRISMATIC GLASS
SUPPLIED WITH CLEAR ACRYLIC LENS

(WA) OPAL DIFFUSER
(BY OTHERS)



ORDERING INFORMATION

MODEL NO. : BDC8	OPTICS	WATTAGE TYPE VOLTAGE	MOUNTING	FINISH	OPTIONS
MODEL NO. : BDC8	OPTICS	LAMP	MOUNTING	FINISH	OPTIONS
BDC8	<p>STANDARD:</p> <p><input type="checkbox"/> CAST ALUMINUM LOUVER CL</p> <p>OPTIONS:</p> <p><input type="checkbox"/> INTERNAL LOUVER IL</p> <p><input type="checkbox"/> PRISMATIC GLASS TYPE V PG-V</p> <p><input type="checkbox"/> PRISMATIC GLASS TYPE III PG-III</p> <p><input type="checkbox"/> OPAL ACRYLIC WA</p>	<p>WATTAGE TYPE VOLTAGE</p> <p><input type="checkbox"/> 100 <input type="checkbox"/> HPS <input type="checkbox"/> 120</p> <p><input type="checkbox"/> 75 <input type="checkbox"/> MH <input type="checkbox"/> 277</p> <p><input type="checkbox"/> 70 <input type="checkbox"/> MV <input type="checkbox"/> MT</p> <p><input type="checkbox"/> 50 <input type="checkbox"/> PL</p> <p><input type="checkbox"/> 42</p> <p><input type="checkbox"/> 35</p>	<p>GROUND INSTALLATION</p> <p>11" DIA. BOLT CIRCLE</p> <p>13" DIA.</p> <p>ANCHOR BOLT (4) 3/4" X 18"</p>	<p>CAP & OPTICAL SECTION</p> <p>STANDARD TEXTURED FINISH</p> <p><input type="checkbox"/> BLACK RAL-9005-T</p> <p><input type="checkbox"/> WHITE RAL-9003-T</p> <p><input type="checkbox"/> GREY RAL-7004-T</p> <p><input type="checkbox"/> DRK BRONZE RAL-8019-T</p> <p><input type="checkbox"/> GREEN RAL-6005-T</p> <p>FOR SMOOTH FINISH REMOVE SUFFIX "T" (EXAMPLE: RAL-9500)</p> <p>SEE WEBSITE FOR ADDITIONAL COLORS</p> <p>HOUSING</p> <p><input type="checkbox"/> NATURAL CONCRETE NAT</p> <p><input type="checkbox"/> OTHER</p>	<p><input type="checkbox"/> HOUSE SIDE SHIELD</p> <p>90° HS 90°</p> <p>135° HS 135°</p> <p>180° HS 180°</p> <p><input type="checkbox"/> SINGLE FUSE (120V., 277V) SF</p> <p><input type="checkbox"/> DOUBLE FUSE (208V., 240V) DF</p> <p>OPTIONAL HEIGHTS:</p> <p><input type="checkbox"/> 30"</p> <p><input type="checkbox"/> 36"</p>