

# SOLID STATE BOLLARDS

## BRC18 SERIES-LED

### SPECIFICATIONS

#### CONCRETE RISER

Natural precast concrete body with light sandblast finish. A graffiti resistant sealer is applied to the surface. Internal electro-zinc plated steel cage provides additional strength for the structure and has threaded inserts welded to it for mounting the base plate and optical assembly. Base plate is 1/4" galvanized steel.

#### TOP CAP

Natural precast concrete body with light sandblast finish. A graffiti resistant sealer is applied to the surface. Internal electro-zinc plated steel cage provides additional strength for the structure.

#### LED POWER ARRAY™

Three-dimensional array consisting of (6) or (8) individual LED Tubes fastened to a retaining plate. Each LED Tube consists of circuit board populated with a multiple of LED's and is mechanically fastened to a radial aluminum heat sink. An acrylic lens and end cap protects the LED Tube's internal components.

**CAST LOUVER (CL)** - External louver stack consisting of individual cast aluminum (A356 alloy; <0.2% copper) louver vanes which index together and are mechanically bonded to form a unified assembly. The louver stack is fastened to the concrete riser via threaded inserts. An internal clear acrylic lens is integrated with the LED Power Array module.

#### LED EMITTERS

High Output LED's are driven at 350mA for nominal 1 Watt output each. 70CRI Minimum. LED's are available in standard Neutral White (4000K), or optional Cool White (5000K) or Warm White (3000K). Consult Factory for other LED options.

#### LED DRIVER

UL and CUL recognized Constant Current LED drivers operate on input voltages from 120-277VAC, 50/60hz. Consult Factory for (347-480VAC). Driver is mechanically fastened to a retaining bracket. Driver has a minimum 4KV of internal surge protection, 10KV & 20KV Surge Protector optional. Dimmable and High-Low Driver options available.

#### FINISH

Polyester powder coat incorporates four step iron phosphate process to pretreat metal surface for maximum adhesion. Top coat is baked at 400°F for maximum hardness and exterior durability.

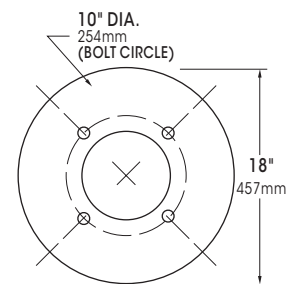
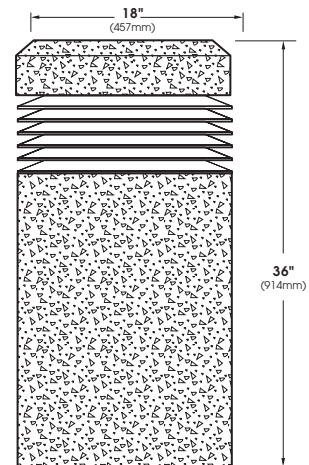
PROJECT NAME: \_\_\_\_\_

FIXTURE TYPE: \_\_\_\_\_



**BRC18**

PATENT PENDING

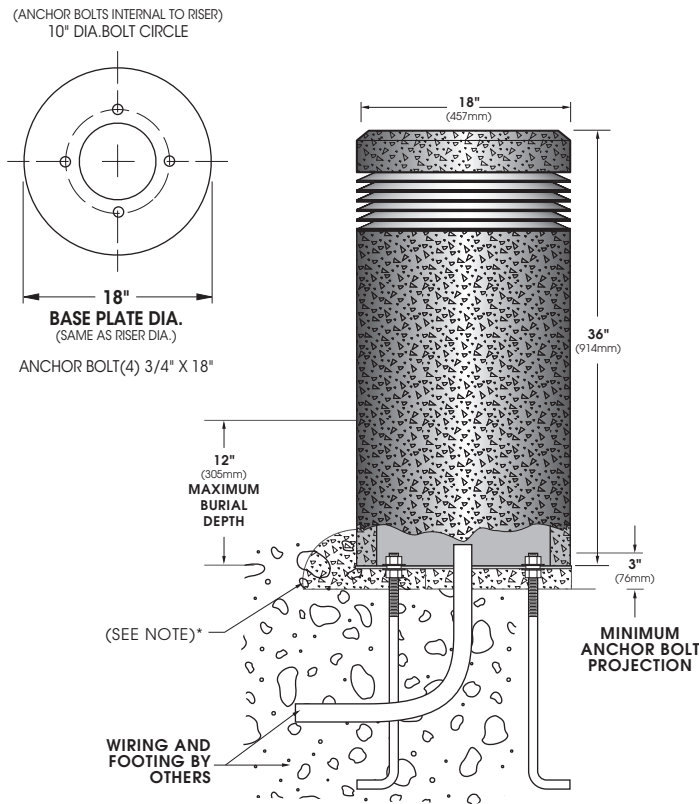


2013253

# BRC18 SERIES-LED

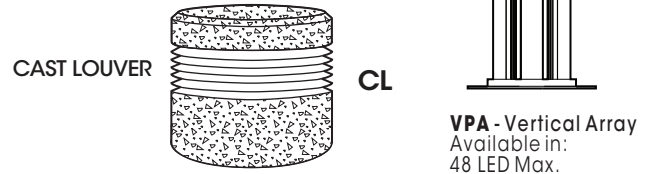
## S P E C I F I C A T I O N S

### INSTALLATION



\*When mounting in soil, anchor bolt fasteners and other hardware must be protected from soil by grouting.

### OPTICS



## O R D E R I N G I N F O R M A T I O N

BOLLARD	OPTICS	# of LED's	COLOR	VOLTAGE	MOUNTING	FINISH	OPTIONS
<b>BOLLARD</b>	<b>OPTICS</b>	<b>LED</b>			<b>MOUNTING</b>	<b>FINISH</b>	<b>OPTIONS</b>
<input type="checkbox"/> BRC18-LED	VERTICAL POWER ARRAY  <input type="checkbox"/> CAST LOUVER .....CL	# of LEDs  <input type="checkbox"/> 48LED (53 Watts) <input type="checkbox"/> 36LED (42 Watts) <input type="checkbox"/> 24LED (28 Watts)  WATTS ARE MAX INOUT WATTS	COLOR  <input type="checkbox"/> NW (4000K) Standard <input type="checkbox"/> CW (5000K) <input type="checkbox"/> WW (3000K)  OTHER LED COLORS AVAILABLE CONSULT FACTORY	VOLTAGE  <input type="checkbox"/> 120 <input type="checkbox"/> 208 <input type="checkbox"/> 240 <input type="checkbox"/> 277 <input type="checkbox"/> 347 <input type="checkbox"/> 480	<input type="checkbox"/> GROUND INSTALLATION ..... (STANDARD)  <input type="checkbox"/> DIRECT BURIAL ..... DB	STANDARD TEXTURED FINISH  <input type="checkbox"/> BLACK RAL-9005-T <input type="checkbox"/> WHITE RAL-9003-T <input type="checkbox"/> GREY RAL-7004-T <input type="checkbox"/> DARK BRONZE RAL-8019-T <input type="checkbox"/> GREEN RAL-6005-T  FOR SMOOTH FINISH REMOVE SUFFIX "T" (EXAMPLE: RAL-9500)  SEE USALTG.COM FOR ADDITIONAL COLORS	<input type="checkbox"/> DIMMABLE DRIVER (0-10V PROVIDED) ..... DIM <input type="checkbox"/> HIGH-LOW DIMMING FOR HARDWIRED SWITCHING OR NONINTEGRATED MOTION SENSOR ..... HLSW <input type="checkbox"/> INTERNAL HOUSE SIDE SHIELD... HS <input type="checkbox"/> DUPLEX RECEPTACLE ..... DUP-C (CONSULT FACTORY) <input type="checkbox"/> GROUND FAULT RECEPTACLE ..... GFI-C (CONSULT FACTORY) <input type="checkbox"/> 10KV SURGE PROTECTOR ..... 10SP <input type="checkbox"/> 20KV SURGE PROTECTOR (277V & 480V Only) ..... 20SP  OPTIONAL HEIGHTS: <input type="checkbox"/> 24" <input type="checkbox"/> 30"