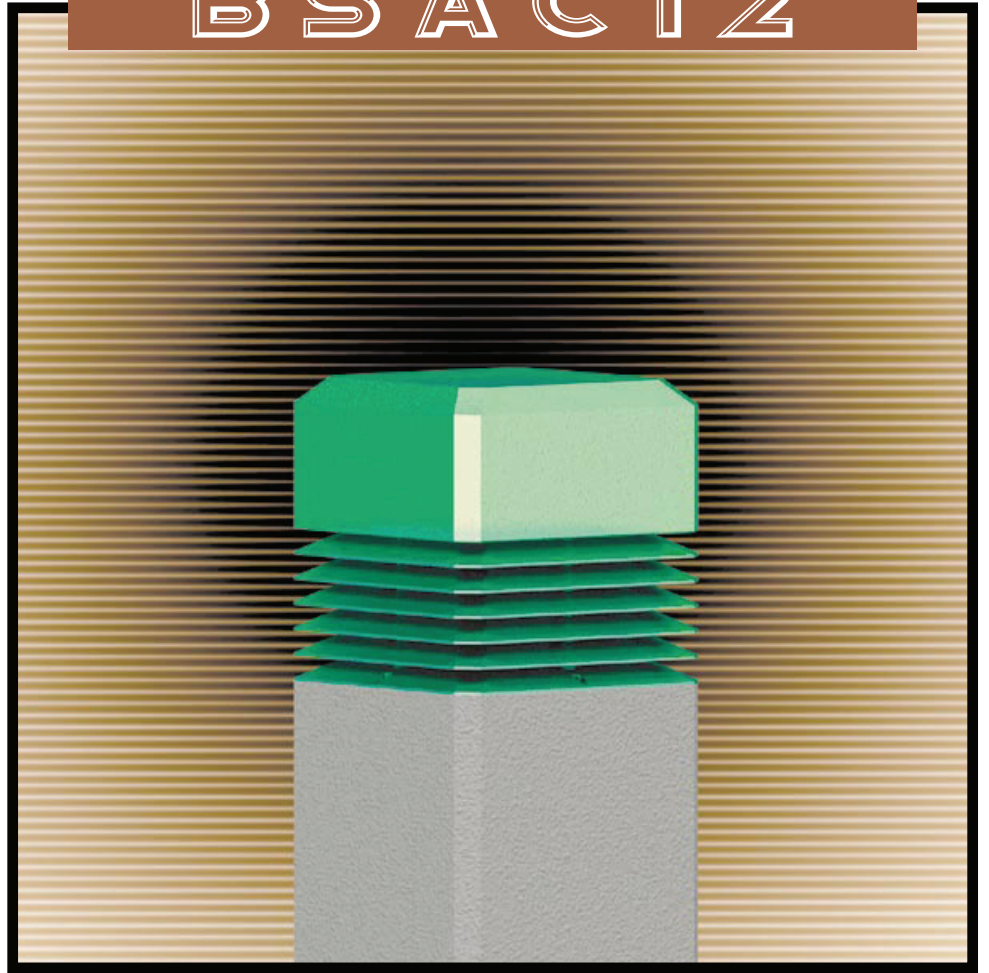
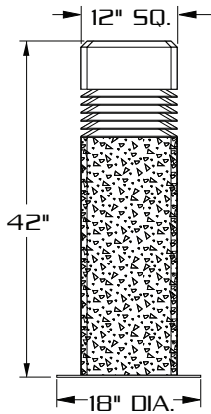


# BSAC12

[100 WATT MAX.]



CAST LOUVER



CAST LOUVER



CAST LOUVER



CAST LOUVER

## SPECIFICATIONS

**HOUSING:** NATURAL PRECAST CONCRETE. LIGHT SANDBLAST FINISH.

**TOP CAP:** DURABLE, CORROSION RESISTANT CAST ALUMINUM CONSTRUCTION.

**OPTICAL TRAIN:** DURABLE, CORROSION RESISTANT CAST ALUMINUM LOUVER SYSTEM PROVIDES 30° CUT-OFF FOR BRIGHTNESS CONTROL. INTERNAL CLEAR ACRYLIC LENS SURROUNDS LAMP.

**GASKETING:** CLOSED CELL SILICONE.

**LAMP HOLDER:** MEDIUM BASE PORCELAIN.

**LAMP:** [BY OTHERS]

**BALLAST:** H.P.F./C.W.A. AUTOTRANSFORMER. -20° STARTING TEMPERATURE. ELECTRICAL COMPONENTS ARE MOUNTED TO A REMOVABLE BALLAST TRAY. BALLAST IS EQUIPPED WITH FACTORY INSTALLED QUICK DISCONNECT PLUG.

**BASE PLATE:** STEEL PLATE SUPPLIED WITH (4) 1" X 1 1/2" SLOTS FOR ANCHORAGE. ANCHOR PLATE IS MECHANICALLY FASTENED TO HOUSING.

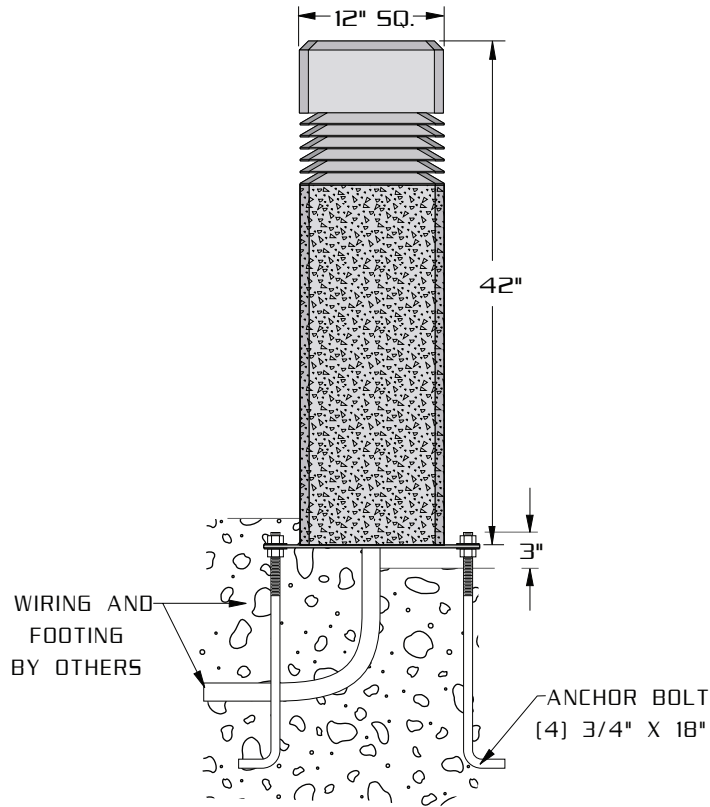
**ANCHORAGE:** (4) 3/4"X18" FULLY GALVANIZED ANCHOR BOLTS EACH SUPPLIED WITH TWO NUTS AND TWO WASHER.

**FINISH:** HOUSING-LIGHT SANDBLAST FINISH.

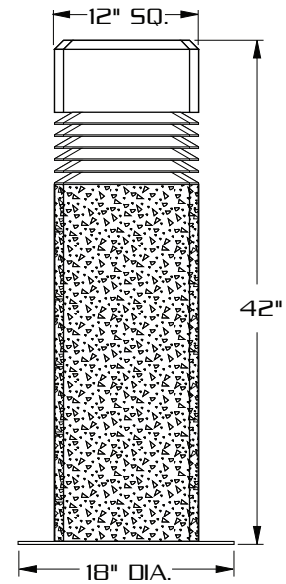
**CAP AND OPTICAL SECTION-**POLYESTER POWDER COAT-STATE OF THE ART 20 PSI PRESSURE POWER WASH AT 140° TEMPERATURE INCORPORATES FOUR STEP IRON PHOSPHATE PROCESS TO CLEANSE AND PRETREAT THE METAL SURFACE FOR MAXIMUM PAINT ADHESION. ELECTROSTATICALLY APPLIED TEXTURED POLYESTER POWDER TOPCOAT IS BAKED AT 400° TEMPERATURE FOR MAXIMUM HARDNESS AND EXTERIOR DURABILITY.



**INSTALLATION**



**LAMP SIZE:  
35 - 100 WATT**



**PRECAST CONCRETE.  
LIGHT SANDBLAST FINISH.**

**ORDERING INFORMATION**

MODEL NO. : <b>BSAC12</b>	OPTICS	WATTAGE TYPE VOLTAGE	MOUNTING	FINISH	OPTIONS
<b>MODEL NO. :</b> <b>B S A C 1 2</b>	<b>OPTICS</b> <input type="checkbox"/> CAST ALUMINUM LOUVER CL	<b>LAMP</b> WATTAGE TYPE VOLTAGE <input type="checkbox"/> 100 <input type="checkbox"/> HPS <input type="checkbox"/> 120 <input type="checkbox"/> 75 <input type="checkbox"/> MH <input type="checkbox"/> 277 <input type="checkbox"/> 70 <input type="checkbox"/> MV <input type="checkbox"/> MT <input type="checkbox"/> 50 <input type="checkbox"/> PL <input type="checkbox"/> 42 <input type="checkbox"/> 35	<b>MOUNTING</b> GROUND INSTALLATION 15" DIA. BOLT CIRCLE  18" DIA. ANCHOR BOLT (4) 3/4" X 18"	<b>FINISH</b> CAP & OPTICAL SECTION STANDARD TEXTURED FINISH <input type="checkbox"/> BLACK RAL-9005-T <input type="checkbox"/> WHITE RAL-9003-T <input type="checkbox"/> GREY RAL-7004-T <input type="checkbox"/> DRK BRONZE RAL-8019-T <input type="checkbox"/> GREEN RAL-6005-T FOR SMOOTH FINISH REMOVE SUFFIX "T" (EXAMPLE: RAL-9005) SEE WEBSITE FOR ADDITIONAL COLORS <b>HOUSING</b> <input type="checkbox"/> NATURAL CONCRETE NAT <input type="checkbox"/> OTHER	<b>OPTIONS</b> <input type="checkbox"/> HOUSE SIDE SHIELD 90° ..... HS 90° 135° ..... HS 135° 180° ..... HS 180° <input type="checkbox"/> SINGLE FUSE (120V., 277V) ..... SF <input type="checkbox"/> DOUBLE FUSE (208V., 240V) ..... DF  <b>OPTIONAL HEIGHTS:</b> <input type="checkbox"/> 30" <input type="checkbox"/> 36"