

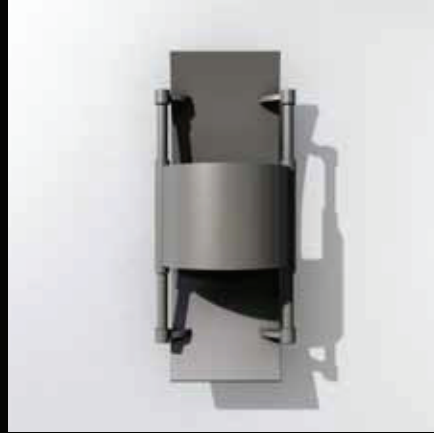
Camber 1 & 2

For Architectural Accent, Pedestrian Safety, Perimeter Security and Dual Function

Day

Camber is designed to be seen both day and night. Its daytime form is an eclectic blend of shapes accented by structurally expressive components. Mounted on walls and building entrances, Camber becomes an accent element for a broad range of contemporary architectural design themes. Ideal mounting height is 8' to 12'.

CBR1



CBR2

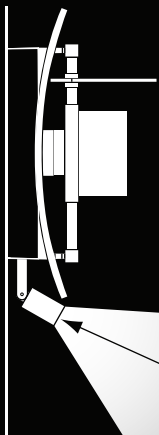


Night

Camber delivers both functional down lighting for security and safety, plus up lighting (CBR1) for architectural features such as overhangs and projections. If upward light is not needed, CBR2 has an adjustable reflector disc to redirect light downward. Since the light source is fully shielded, Camber has very low brightness. Specify lighter finishes for maximum fixture surface reflections.

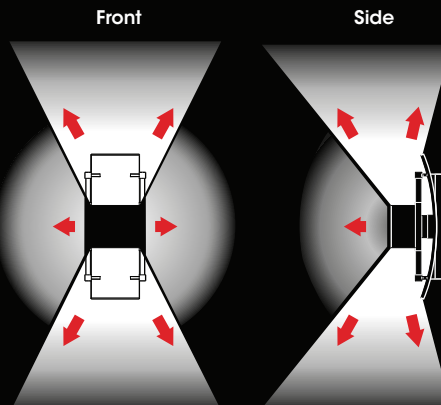


Optional Emergency Egress

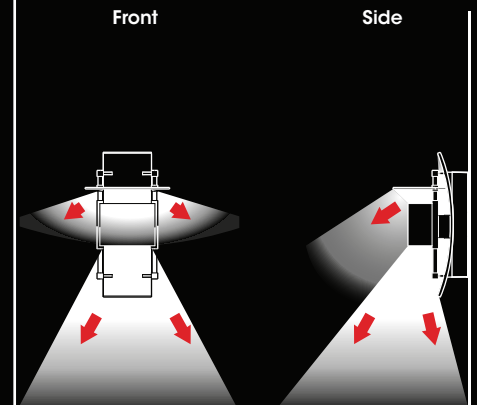


CAT. NO. EE
20W to 50W MR16 fixture for discrete wiring back to emergency generator, inverter or battery backup by others.

CBR1 primary light distribution is down and up flood. Horizontal spill light illuminates the wall while bounce light off the curved plane provides additional vertical light for visual security.



CBR2 primary light distribution is downward. Horizontal spill light illuminates the wall while bounce light off the curved plane and top disc provides additional vertical light for visual security.



Specifications

Fixture - Durable corrosion resistant, low copper cast aluminum (A356 alloy; <0.2% Cu) with inset to index Body to Ballast Housing. Body mounts to Ballast Housing after Ballast Housing installation via cast hinges designed to accept stainless-steel hinge pins. Strut support arms are cast as integral components of the Fixture Body. Struts are parallel extruded aluminum .84" diameter and are indexed to allow Glare Shield to be secured in one of five (5) vertical positions. One Strut has stainless steel recessed captive socket-head screws top and bottom to allow Glare Shield, Indirect Reflectors, or Half Cylinder to hinge away for relamping.

Lamp Enclosure - One piece molded glass threads into cast aluminum gasketed socket cup.

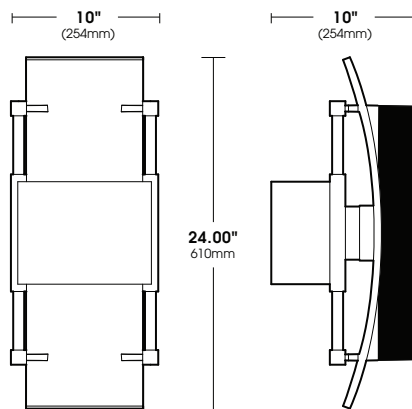
Electrical Components - High power factor ballasts are rigidly mounted inside the Fixture Body and are factory prewired with a quick-disconnect plug for mating to the socket. HPS core and coil ballast, reactor type - high power factor with starting temperatures of -40°F. MH electronic HID ballasts are high power factor, low frequency, -20°F starting. Fluorescent ballasts are electronic, high power factor, 0°F starting. HID socket is 4KV pulse rated medium base. Optional G-12 base socket is available for 70PSMH T6 lamp mode. Fluorescent socket is universal for 26W, 32W, or 42W CFL lamps.

LED Driver - Constant current LED drivers are UL and cUL recognized mounted on a single plate and factory prewired with quick-disconnect plugs. Drivers are electronic and have a power factor of >.90 and a minimum operating temperature of -40°F. Drivers accept an input of 120-277V, 50/60Hz. (Consult factory for dimming applications.)

Finish - Electrostatically applied TGIC Polyester Powder Coat on substrate prepared with 20 PSI power wash at 140°F. Four step iron phosphate pretreatment for protection and paint adhesion. 400°F bake for maximum hardness and durability. Texture finish is standard.

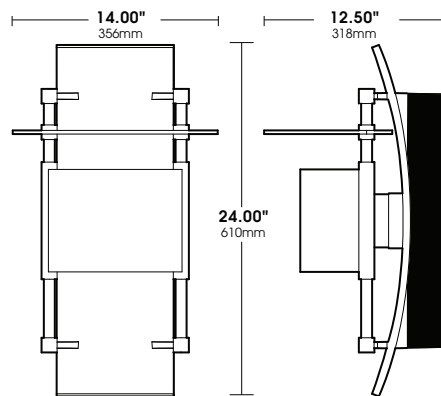
Listings and Ratings - UL Listed for wet locations.

Dimensions



CBR1
42W. Max. CFL
100W. Max. HID
12LED Max.

CBR1 (Glare Shield)
Corrosion resistant aluminum construction. Shield has toolless hardware for indexing in one of five (5) positions (1" increments) along vertical Struts.

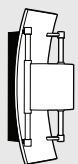
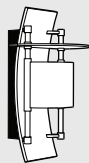


CBR2
42W. Max. CFL
100W. Max. HID
12LED Max.

CBR2 (Flat Indirect Reflector)
Constructed of corrosion resistant low copper cast aluminum alloy #A356 (<0.2% Cu). Indirect reflector is flat and has stainless steel socket-head screws to secure its vertical position along the Struts.

Spec/Order Example: CBR2/12LEDNW/RAL-9005-T

Note: Select either LED Mode or Lamp Mode.

| MODEL | LED MODE | | LAMP MODE | | | FINISH | OPTIONS |
|---|--|---|--------------------------------------|---|--|---|--|
| | NO. LEDs | COLOR | WATTAGE | TYPE | VOLTAGE | | |
| <input type="checkbox"/> CBR1  | <input type="checkbox"/> 12LED (14 Watts) | <input type="checkbox"/> NW* | <input type="checkbox"/> 42 | <input type="checkbox"/> CFL | <input type="checkbox"/> 120 | <input type="checkbox"/> BLACK RAL-9005-T | <input type="checkbox"/> SINGLE FUSE (120V., 277V) (HID UNITS ONLY) SF |
| | | <input type="checkbox"/> CW | | | <input type="checkbox"/> 208 | | |
| <input type="checkbox"/> CBR2  | *NW - NEUTRAL WHITE (4000K) *STANDARD CW - COOL WHITE (5000K) WW - WARM WHITE (3000K) | <input type="checkbox"/> 100² | <input type="checkbox"/> PSMH | <input type="checkbox"/> 120 | <input type="checkbox"/> GREY RAL-7004-T | <input type="checkbox"/> EMERGENCY EGRESS EE | |
| | | <input type="checkbox"/> 70T¹ | | <input type="checkbox"/> HPS³ | | | <input type="checkbox"/> 208 |
| | | <input type="checkbox"/> 70² | | <input type="checkbox"/> 240 | <input type="checkbox"/> GREEN RAL-6005-T | | |
| | | <input type="checkbox"/> 50² | | <input type="checkbox"/> 277 | | | |
| | | | | <input type="checkbox"/> 347 | | | |
| | | | | 1 - 120 THRU 277 ONLY, NOT AVAILABLE IN HPS 2 - MEDIUM BASE LAMP 3 - 120 ONLY | | | |
| | | | | CONSULT FACTORY FOR OTHER LED COLORS | | | |
| | | | | CONSULT FACTORY FOR OTHER VOLTAGES | | | |
| | | | | | FOR SMOOTH FINISH REMOVE SUFFIX 'T' (EXAMPLE: RAL-9005) | | |
| | | | | | BALLAST HOUSING IS ALWAYS BLACK | | |
| | | | | | CONSULT FACTORY FOR CUSTOM COLORS | | |