

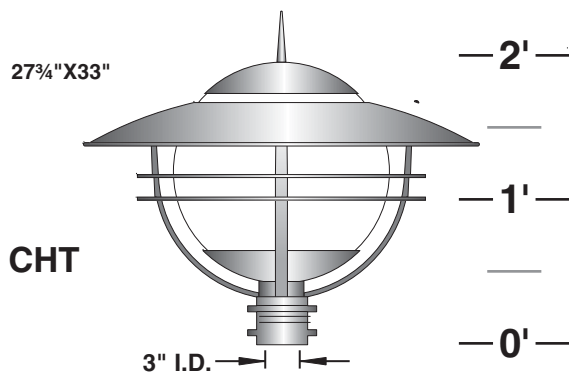


LUMINAIRE ACCESSORIES

(SPECIFY AS SUFFIX TO LUMINAIRE NO.)

CHT

FROSTED POLYCARBONATE DIFFUSER PROVIDED WITH CAST ALUMINUM FITTER AND DECORATIVE CAST ALUMINUM ENCLOSURE

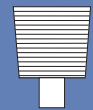


INTERNAL LOUVER



IL

PRISMATIC GLASS REFRACTOR
TYPE III
TYPE V



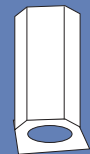
PG-III
PG-V

HEAT SHIELD



HT

HOUSE SIDE SHIELD
90°, 135°, 180°



HS90°
HS135°
HS180°

SINGLE FUSE (120V., 277V.).....SF

DOUBLE FUSE (208V., 240V., 480V.).....DF

**BALLASTS ARE H.P.F. / C.W.A. AUTOTRANSFORMER,
-20° STARTING TEMPERATURE**

METAL HALIDE	HIGH PRESSURE SODIUM	MERCURY VAPOR	FOR FLUOR. INC. LAMPS CONSULT TO FACTORY
50W.	50W.	50W.	200W.
70W.	70W.	75W.	
100W.	100W.	100W.	
175W.	150W.	175W.	



sun valley
LIGHTING

660 WEST AVENUE O, PALMDALE, CA 93551
(661) 233-2000
FAX (661) 233-2001
www.sunvalleylighting.com