

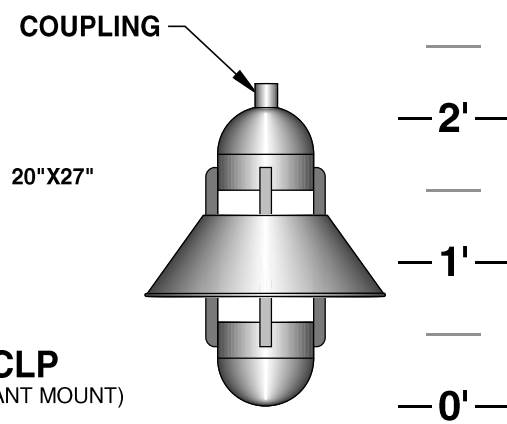
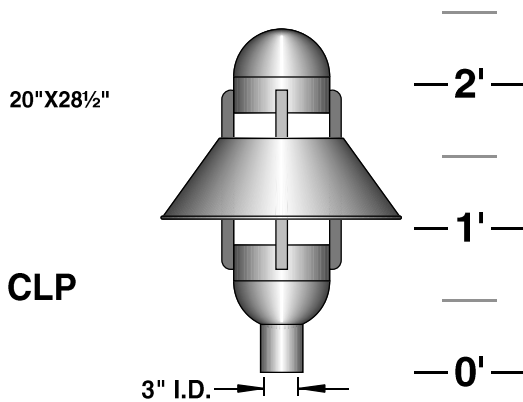


LUMINAIRE ACCESSORIES

(SPECIFY AS SUFFIX TO LUMINAIRE NO.)

CLP

CAST ALUMINUM CONSTRUCTION. LUMINAIRE PROVIDED WITH ACRYLIC DIFFUSER, AND SPUN ALUMINUM REFLECTOR



BALLASTS ARE H.P.F. / C.W.A. AUTOTRANSFORMER, -20° STARTING TEMPERATURE

METAL HALIDE	HIGH PRESSURE SODIUM	MERCURY VAPOR	INC.	FOR FLUOR. LAMPS CONSULT FACTORY
50W.	50W.	50W.	TO	
70W.	70W.	75W.	200W.	
100W.	100W.	100W.		
175W.	150W.	175W.		

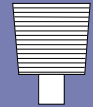


INTERNAL LOUVER



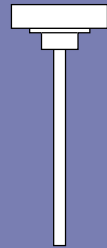
IL

PRISMATIC GLASS REFRACTOR
TYPE III
TYPE V



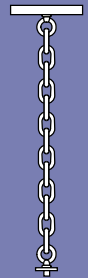
PG-III
PG-V

3/4" IPS STEM MOUNT AND SWIVEL CANOPY
(6'-0" MAX.)



SM

CHAIN MOUNTED
(4'-0" MAX.)



CM

STANDARD DIFFUSER:
OPAL SMOOTH ACRYLIC

OPTIONS:

CLEAR SMOOTH ACRYLIC.....CA

HOUSE SIDE SHIELD 90°.....HS90°
135°.....HS135°
180°.....HS180°

PHOTO CELL + VOLTAGE
(EXAMPLE: PC120V).....PC+V

SINGLE FUSE (120V., 277V.).....SF

DOUBLE FUSE (208V., 240V., 480V.).....DF

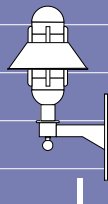
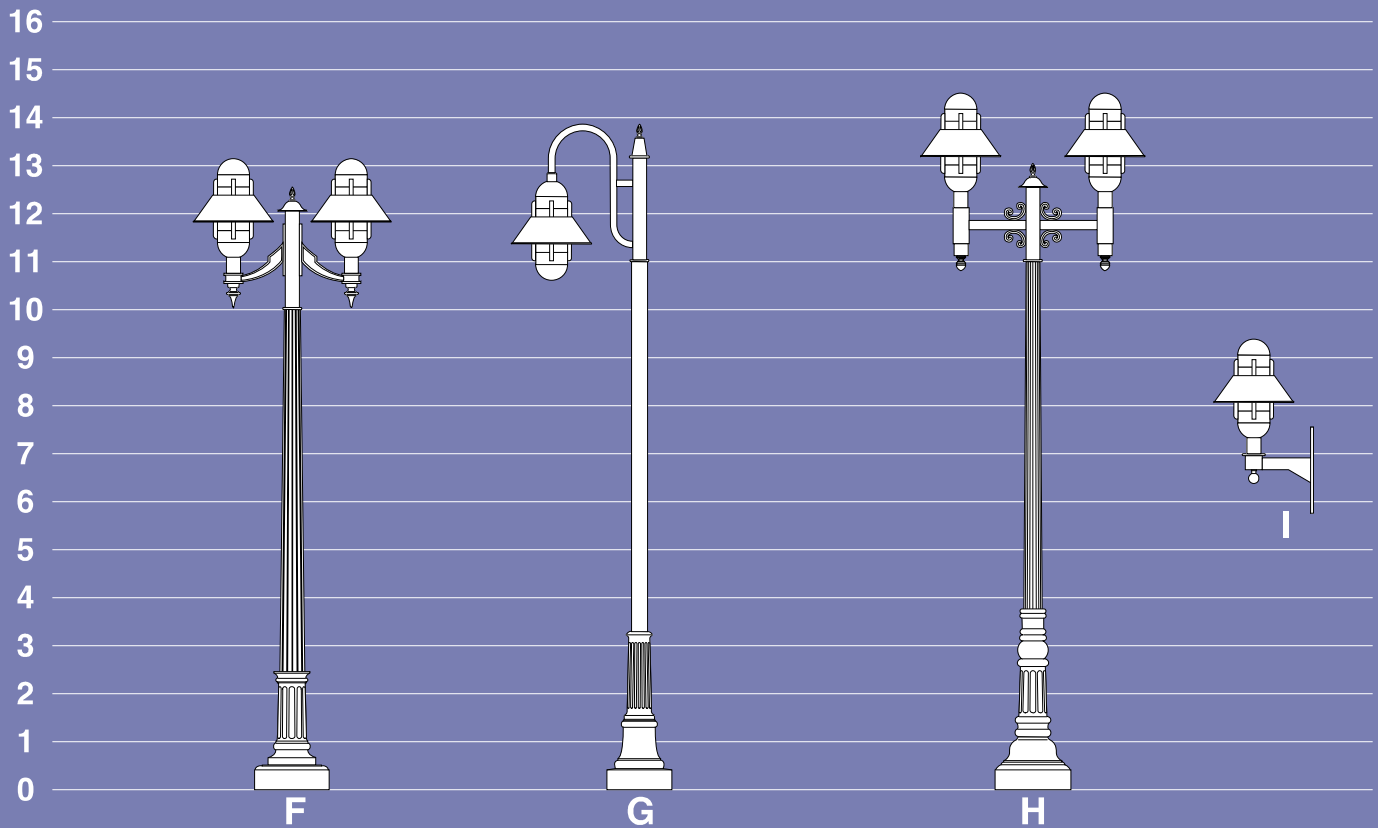
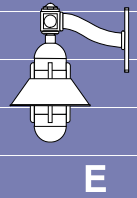
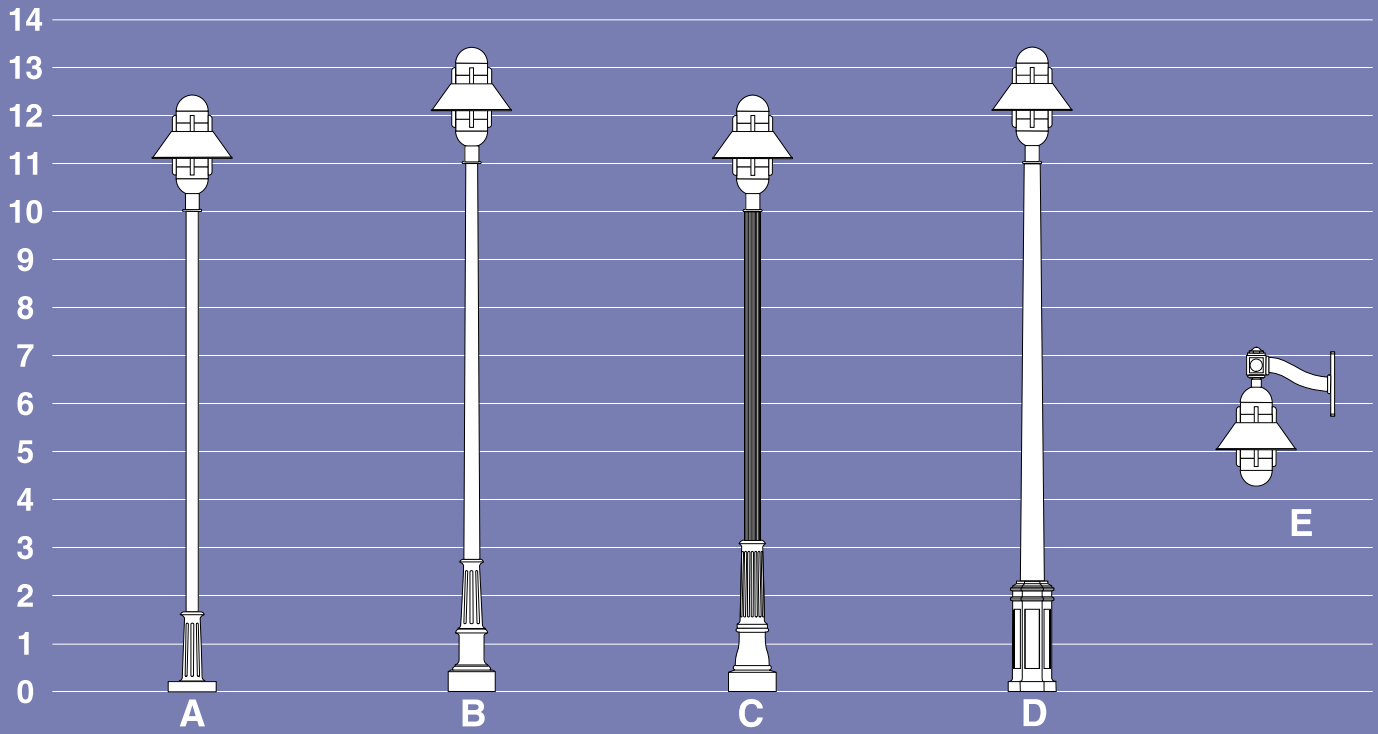


sun valley
LIGHTING

660 WEST AVENUE O, PALMDALE, CA 93551
(661) 233-2000
FAX (661) 233-2001
www.sunvalleylighting.com

CLP

SCALE: 1/4"=1'-0"



- A. 41-1030-10//CLP-CP/PT/BALLAST/ACCESSORIES/FINISH
- B. 4M-1030T-11//CLP /PT/BALLAST/ACCESSORIES/FINISH
- C. 32-1060-10//CLP-WP/PT/BALLAST/ACCESSORIES/FINISH
- D. 33-1046T-11//CLP-CP/PT/BALLAST/ACCESSORIES/FINISH
- E. WS//CLP-CA/XBE-WM/BALLAST/ACCESSORIES/FINISH

- F. 13-1050T-10//CLP/XAZ-DN-2-180/BALLAST/ACCESSORIES/FINISH
- G. 42-1040-11//CLP-CP/XPJ-1/BALLAST/ACCESSORIES/FINISH
- H. 12-1030CFT-11//CLP-CP/XAJ-2-180/BALLAST/ACCESSORIES/FINISH
- I. WS//CLP-WP/XBY-WM/BALLAST/ACCESSORIES/FINISH