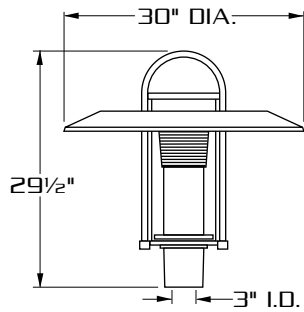


# CIRCULUX

[175 W. MAX.]



E.P.A. = 1.28



WM



1



2-180



3-180



3-120



4-120



4-90



5-90

## SPECIFICATIONS

**LUMINAIRE:** HOUSING AND DECORATIVE CAGE - DURABLE CORROSION RESISTANT CAST ALUMINUM CONSTRUCTION. ASSEMBLY SEALED WITH NEOPRENE GASKET.

**REFLECTOR:** HEAVY WALL SPUN ALUMINUM CONSTRUCTION. BOTTOM SIDE FINISHED WITH HIGH GLOSS WHITE ENAMEL FOR MAXIMUM REFLECTIVITY.

**OPTICS:** CLEAR VIRGIN ACRYLIC LENS. MINIMUM .125 WALL THICKNESS. ENCASES CLEAR PRISMATIC BOROSILICATE GLASS REFRACTOR. TYPE III OR TYPE V LIGHT DISTRIBUTION.  
**OPTION:** MULTI-LOUVER OPTICAL TRAIN.

**LAMP HOLDER:** MEDIUM BASE PORCELAIN.

**LAMP:** (BY OTHERS)

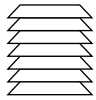
**BALLAST:** H.P.F./C.W.A. AUTOTRANSFORMER. -20° STARTING TEMPERATURE. ELECTRICAL COMPONENTS ARE MOUNTED TO A REMOVABLE BALLAST TRAY. BALLAST IS EQUIPPED WITH FACTORY INSTALLED QUICK DISCONNECT PLUG.

**FINISH:** POLYESTER POWDER COAT-STATE OF THE ART 20 PSI PRESSURE POWER WASH AT 140° TEMPERATURE INCORPORATES FOUR STEP IRON PHOSPHATE PROCESS TO CLEANSE AND PRETREAT THE METAL SURFACE FOR MAXIMUM PAINT ADHESION. ELECTROSTATICALLY APPLIED TEXTURED POLYESTER POWDER TOPCOAT IS BAKED AT 400° TEMPERATURE FOR MAXIMUM HARDNESS AND EXTERIOR DURABILITY.



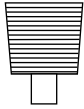
**OPTICS**

INTERNAL LOUVER



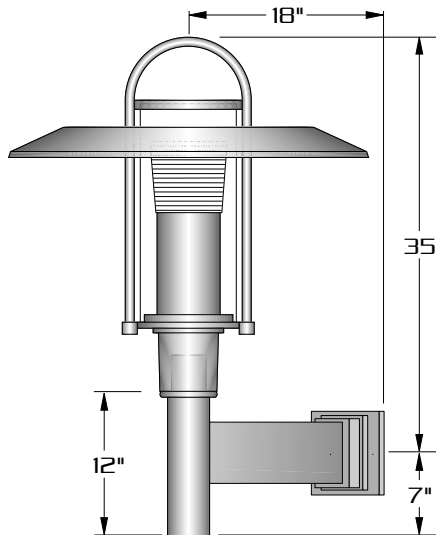
**IL**

PRISMATIC GLASS REFRACTOR  
TYPE III  
TYPE V



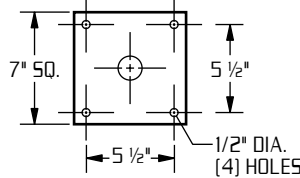
**PG-III**  
**PG-V**

**WALL MOUNT**

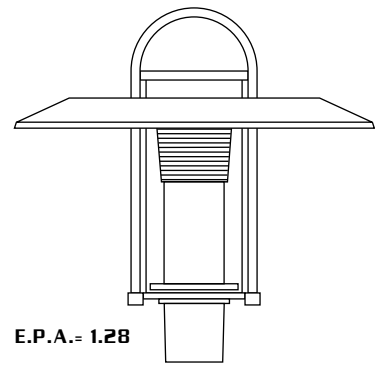


EXTRUDED ALUMINUM ARM AND CAST ALUMINUM WALL BRACKET ASSEMBLY PROVIDED WITH BUILT IN GASKETED WIRE ACCESS FOR FIXTURE/SUPPLY WIRE CONNECTION.

**WALL PLATE**



**LAMP SIZE:  
100 - 175 WATT**



**E.P.A.= 1.28**

**CAST ALUMINUM HOUSING AND CAGE.**

**VIRGIN ACRYLIC LENS.**

**SYMMETRIC OR ASYMMETRIC LIGHT DISTRIBUTION.**

**ORDERING INFORMATION**

MODEL NO.:	OPTICS	WATTAGE TYPE VOLTAGE	MOUNTING	FINISH	OPTIONS
<b>CLX</b>					
MODEL NO.:	OPTICS	LAMP	MOUNTING	FINISH	OPTIONS
<b>C L X</b>	<p><b>STANDARD:</b></p> <p><input type="checkbox"/> CLEAR ACRYLIC . . . <b>CA</b> STANDARD SUPPLIED WITH PRISMATIC GLASS REFRACTOR</p> <p><input type="checkbox"/> TYPE III . . . . . <b>PG-III</b></p> <p><input type="checkbox"/> TYPE V . . . . . <b>PG-V</b></p> <p>SPECIFY AFTER DIFFUSER OPTION (EX: CA-PG-III)</p> <p><b>DIFFUSER OPTIONS:</b></p> <p><input type="checkbox"/> CLEAR POLYCARBONATE . . <b>CP</b></p> <p><input type="checkbox"/> OPAL ACRYLIC . . . . <b>WA</b></p> <p><input type="checkbox"/> OPAL POLYCARBONATE . <b>WP</b></p> <p><b>PRISMATIC GLASS REFRACTOR</b></p> <p><input type="checkbox"/> TYPE III . . . . . <b>PG-III</b></p> <p><input type="checkbox"/> TYPE V . . . . . <b>PG-V</b></p> <p>SPECIFY AFTER DIFFUSER OPTION (EX: CP-PG-III)</p> <p><input type="checkbox"/> INTERNAL LOUVER . . . <b>IL</b> SPECIFY AFTER DIFFUSER OPTION (EX: CA-IL)</p>	<p>WATTAGE TYPE VOLTAGE</p> <p><input type="checkbox"/> 175   <input type="checkbox"/> HPS   <input type="checkbox"/> 120</p> <p><input type="checkbox"/> 150   <input type="checkbox"/> MH   <input type="checkbox"/> 208</p> <p><input type="checkbox"/> 100   <input type="checkbox"/> MV   <input type="checkbox"/> 240</p> <p><input type="checkbox"/> 277</p> <p><input type="checkbox"/> 480</p> <p><input type="checkbox"/> MT</p>	<p><input type="checkbox"/> PT . . . . . ●</p> <p><input type="checkbox"/> WM . . . . . ●</p> <p><input type="checkbox"/> TENON (2 3/8" X 4") TT</p> <p>SEE ARM SECTION FOR ADDITIONAL ARMS</p>	<p>STANDARD TEXTURED FINISH</p> <p><input type="checkbox"/> BLACK RAL-9005-T</p> <p><input type="checkbox"/> WHITE RAL-9003-T</p> <p><input type="checkbox"/> GREY RAL-7004-T</p> <p><input type="checkbox"/> DRK BRONZE RAL-8019-T</p> <p><input type="checkbox"/> GREEN RAL-6005-T</p> <p>FOR SMOOTH FINISH REMOVE SUFFIX "T" (EXAMPLE: RAL-9500)</p> <p>SEE WEBSITE FOR ADDITIONAL COLORS</p>	<p><input type="checkbox"/> HOUSE SIDE SHIELD</p> <p>90° . . . . . <b>HS 90°</b></p> <p>135° . . . . . <b>HS 135°</b></p> <p>180° . . . . . <b>HS 180°</b></p> <p><input type="checkbox"/> PHOTO CELL + VOLTAGE (EXAMPLE: PC120V) . . . . <b>PC+V</b></p> <p><input type="checkbox"/> SINGLE FUSE (120V., 277V) . . . . . <b>SF</b></p> <p><input type="checkbox"/> DOUBLE FUSE (208V., 240V) . . . . . <b>DF</b></p>