

# H.I.D. AREA LIGHTING

## CLXB SERIES-HID

### S P E C I F I C A T I O N S

#### HOUSING and RISER

Durable corrosion resistant extruded aluminum Riser with a minimum wall thickness of .125". Top cap and vertical support flanges are cast aluminum (A356 alloy; <0.2% copper) construction and compress silicone gaskets top and bottom of the injection molded clear Fresnel lens. Base Plate cover is spun aluminum.

#### VERTICAL SUPPORTS

Solid aluminum rod drilled and tapped to accept stainless hex head screws.

#### INTERNAL LOUVER (IL)

A specular louver stack conceals the inner lamp module and provides uplight and glare control through the external clear polycarbonate lens.

#### OPAL LENS (WP)

Opal polycarbonate lens protects the internal lamp and provides uniform illumination.

#### PRISMATIC GLASS REFRACTOR

Clear polycarbonate lens surrounds a prismatic glass refractor (Type III and Type V).

#### ELECTRICAL MODULE

All electrical components are UL and cUL recognized are mounted on a single plate and factory prewired with quick-disconnect plugs. All HID lamps are medium base (E26) or Bi-pin Base (G12). **Electronic MH ballasts** have a power factor of >.95 (35/39W - 100W) -20°F starting, 120-277V and have lamp End-of-life protection. 347V option utilizes a step down transformer to the electronic ballast. **Magnetic MH ballasts** are high power factor (35/39W - 100W), -20°F starting, multi-tap 120-277V, 60Hz. All HPS ballasts are core and coil, high-reactance, high power factor (35/39W - 100W), -40°F starting. **Electronic CFL ballasts** are high power factor 120 - 277 voltage sensing. GX24-a4 socket supplied for all 18w - 42w triple tube lamps.

#### FINISH

Electrostatically applied TGIC Polyester Powder Coat on substrate prepared with 20 PSI power wash at 140°F. Four step media blast and iron phosphate pretreatment for protection and paint adhesion. 400°F bake for maximum hardness and durability.

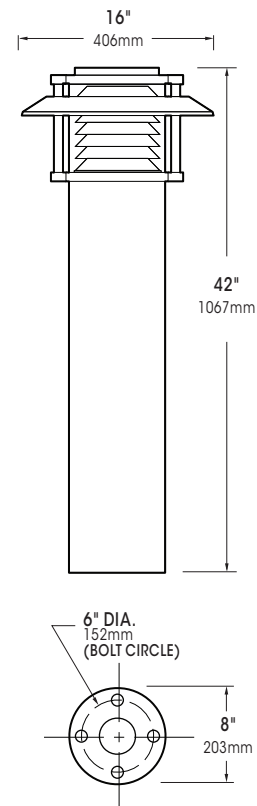
PROJECT NAME: \_\_\_\_\_

PROJECT TYPE: \_\_\_\_\_



CLXB

PATENT PENDING

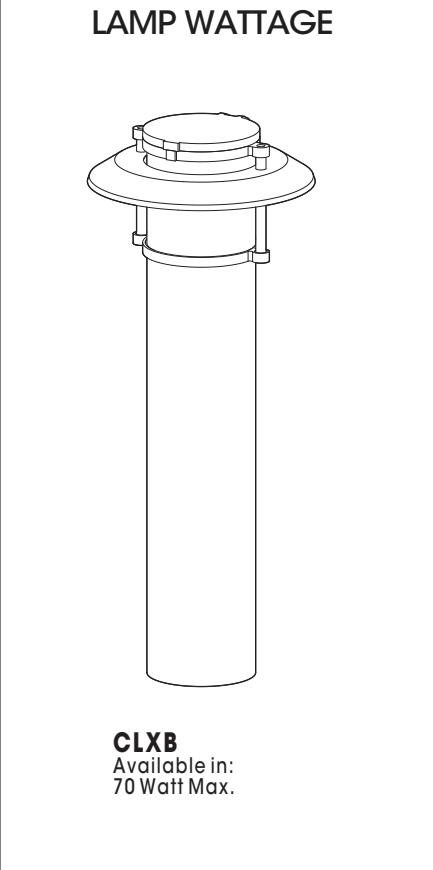
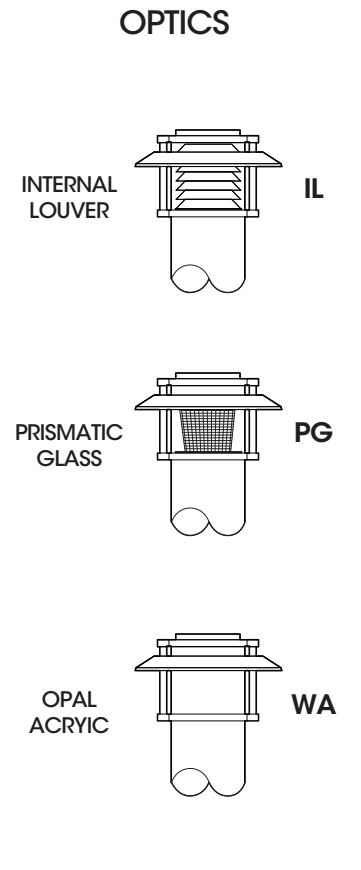
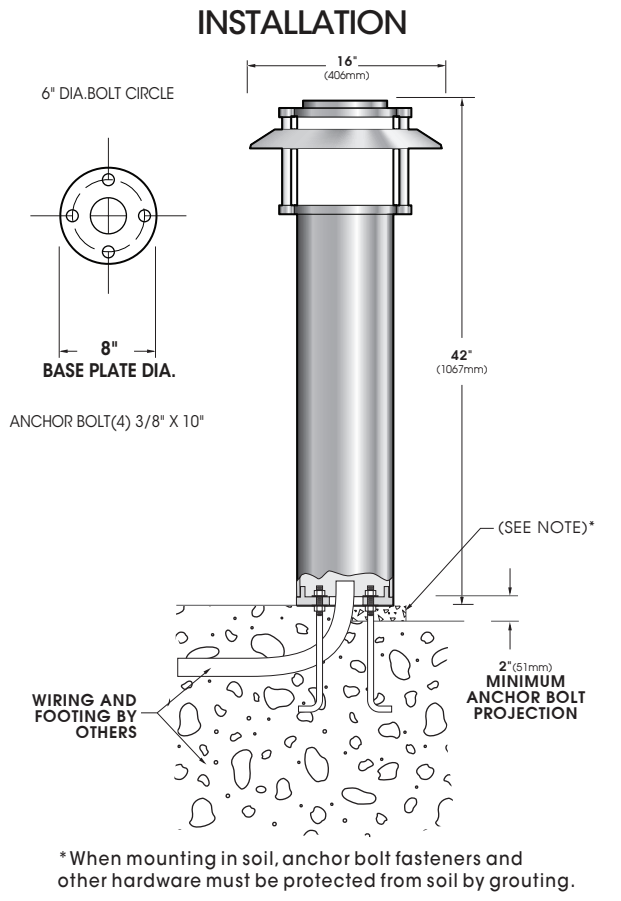


2017088



# CLXB SERIES-HID

## S P E C I F I C A T I O N S



Spe/Order Example: CLXB-IL/50THPS208/RAL-9003-S/GFI

## S P E C / O R D E R I N G I N F O R M A T I O N

MODEL	OPTICS	WATTAGE	TYPE	VOLTAGE	FINISH	OPTIONS
<input type="checkbox"/> CLXB	<input type="checkbox"/> INTERNAL LOUVER . . . IL <input type="checkbox"/> PRISMATIC GLASS TYPE-V . . . . . PG-V <input type="checkbox"/> PRISMATIC GLASS TYPE-III . . . . . PG-III <input type="checkbox"/> OPAL ACRYLIC . . . . . WA	<input type="checkbox"/> 70T <sup>4</sup> <input type="checkbox"/> 70 <input type="checkbox"/> 50T <sup>4</sup> <input type="checkbox"/> 50 <input type="checkbox"/> 42CFL <sup>5</sup> <input type="checkbox"/> 35HPS	<input type="checkbox"/> PSMH <input type="checkbox"/> HPS	<input type="checkbox"/> 120 <input type="checkbox"/> 208 <sup>3</sup> <input type="checkbox"/> 240 <input type="checkbox"/> 277 <sup>4</sup> <input type="checkbox"/> 347 <input type="checkbox"/> 480	<b>STANDARD TEXTURED FINISH</b> <input type="checkbox"/> BLACK RAL-9005-T <input type="checkbox"/> WHITE RAL-9003-T <input type="checkbox"/> GREY RAL-7004-T <input type="checkbox"/> DARK BRONZE RAL-8019-T <input type="checkbox"/> GREEN RAL-6005-T  FOR SMOOTH FINISH REPLACE SUFFIX "T" WITH SUFFIX "S" (EXAMPLE: RAL-9500-S)  SEE USALTG.COM FOR ADDITIONAL COLORS	INTERNAL HOUSE SIDE SHIELD <input type="checkbox"/> 90° . . . . . HS90 <input type="checkbox"/> 135° . . . . . HS135 <input type="checkbox"/> 180° . . . . . HS180  <input type="checkbox"/> DIMMABLE DRIVER(S) (0-10V) . . . . . DIM  <input type="checkbox"/> HIGH-LOW DIMMING FOR HARDWIRED SWITCHING OR NON-INTEGRATED MOTION SENSOR . . . . . HLSW  <input type="checkbox"/> 10KV SURGE PROTECTOR . . . . . 10SP <input type="checkbox"/> 20KV SURGE PROTECTOR (277V & 480V Only) . . . . . 20SP  <input type="checkbox"/> DUPLEX RECEPTACLE . . . . . DUP  <input type="checkbox"/> GROUND FAULT RECEPTACLE . . . . . GFI  <b>OPTIONAL HEIGHTS:</b> <input type="checkbox"/> 30" OVERALL HEIGHT . . . . . 30-OAH <input type="checkbox"/> 36" OVERALL HEIGHT . . . . . 36-OAH
		<b>NOTES:</b> 3 - AVAILABLE IN 8" BOLLARD ONLY 4 - TUBULAR LAMP, G12 BASE 5 - GX24q-4 BASE SUITABLE FOR 18 THRU 42 WATT TRIPLE TUBE LAMPS 6 - N/A FOR 35HPS ANFD 50HPS 7 - N/A FOR 35HPS 8 - GX24q-5 BASE				

