

SOLID STATE AREA LIGHTING

CMP SERIES-LED

SPECIFICATIONS

HOUSING

Durable corrosion resistant cast aluminum housing. Top is hinged for access. Luminaire base has 3" I.D. opening for tenon. All hardware is stainless steel.

LED OPTICAL MODULE

Low copper A356 alloy (<.2% copper) cast aluminum housing. Integrated clear tempered 3/16" glass lens sealed with a continuous silicone gasket protects emitters (LED's) and emitter Reflector-Prism optics, and seals the module from water intrusion and environmental contaminants. LED's are available in standard Neutral White (4000K), or optional Cool White (5000K) or Warm White (3000K). Each emitter is optically controlled by a Reflector-Prism injection molded from H12 acrylic (3 types per module; one from 0° - 50°; one from 50° - 65°; one from 65° - 72°). Each Reflector-Prism has indexing pins for aiming and is secured to an optical plate made of matte black anodized aluminum. The optical plate locates every Reflector-Prism over an emitter. Reflector-Prisms are secured to the optical plate with a UV curing adhesive. The Reflector-Prisms are arrayed to produce IES Type II, III, IV, and V-SQ distributions. The entire Optical Module is field rotatable in 90° increments. Both module and drivers are factory wired using water resistant, insulated cord. Lens, module and drivers are field replaceable.

LED EMITTERS

High Output LED's are driven at 350mA for nominal 1 Watt output each. LED's are available in standard Neutral White (4000K), or optional Cool White (5000K) or Warm White (3000K). Consult Factory for other LED options.

LED DRIVER

UL and CUL recognized High Power Factor, Constant Current LED drivers operate on input voltages from 120-277VAC, 50/60hz. Consult Factory for 347-480VAC. Driver is mechanically fastened to a retaining bracket. Main power quick disconnect provided. Driver has a minimum 4KV of internal surge protection, 10KV & 20KV Surge Protector optional. Dimming and High-Low Driver options available.

FINISH

Electrostatically applied TGIC Polyester Powder Coat on substrate prepared with 20 PSI power wash at 140°F. Four step iron phosphate pretreatment for protection and paint adhesion. 400°F bake for maximum hardness and durability. Texture finish is standard.

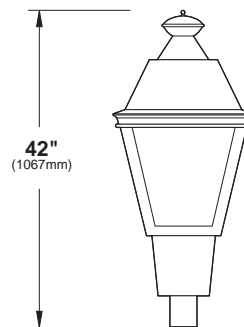
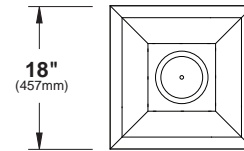
PROJECT NAME: _____

PROJECT TYPE: _____



CMP

PATENT PENDING



2013158

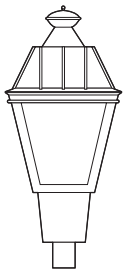
CMP SERIES - LED

S P E C I F I C A T I O N S

OPTIONAL STYLES

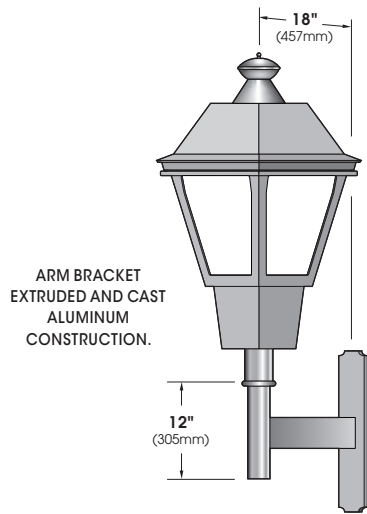


CMPN

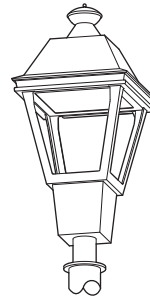


CMPL

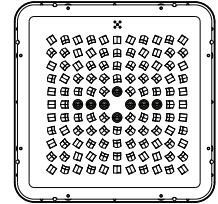
WALL MOUNT



LED POWER ARRAY™ MODULES



CMP-LED E.P.A. = 3.15
Available in:
120, 100, 80, & 64
LED Module



120 LED Module

O R D E R I N G I N F O R M A T I O N

LUMINAIRE	OPTICS	# of LED's	COLOR	VOLTAGE	MOUNTING	FINISH	OPTIONS
LUMINAIRE	OPTICS	LED	MOUNTING	FINISH	OPTIONS		
LUMINAIRE	VLED® IES DISTRIBUTION TYPE	No. LEDs	COLOR	VOLTAGE	ARM MOUNT	STANDARD TEXTURED FINISH	
<input type="checkbox"/> CMPN-LED	<input type="checkbox"/> VLED - II (Type-II)	<input type="checkbox"/> 120LED (132 Watts)	<input type="checkbox"/> NW (4000K)* *STANDARD	<input type="checkbox"/> 120	<input type="checkbox"/> PT	<input type="checkbox"/> BLACK RAL-9005-T	<input type="checkbox"/> INTERNAL HOUSE SIDE SHIELDS... HS
<input type="checkbox"/> CMPL-LED	<input type="checkbox"/> VLED - III (Type-III)	<input type="checkbox"/> 100LED (110 Watts)	<input type="checkbox"/> CW (5000K)	<input type="checkbox"/> 208	<input type="checkbox"/> 1	<input type="checkbox"/> WHITE RAL-9003-T	<input type="checkbox"/> EXTERNAL HOUSE SIDE SHIELD... EHS
	<input type="checkbox"/> VLED - IV (Type-IV)	<input type="checkbox"/> 80LED (89 Watts)	<input type="checkbox"/> WW (3000K)	<input type="checkbox"/> 240	<input type="checkbox"/> 2-180	<input type="checkbox"/> GREY RAL-7004-T	<input type="checkbox"/> DIMMABLE DRIVER(S) (0-10V)... DIM
	<input type="checkbox"/> VLED - VSQ (Type-VSQ)	<input type="checkbox"/> 64LED (72 Watts)	OTHER LED COLORS AVAILABLE CONSULT FACTORY	<input type="checkbox"/> 277	<input type="checkbox"/> 2-90	<input type="checkbox"/> DARK BRONZE RAL-8019-T	<input type="checkbox"/> HIGH-LOW DIMMING FOR HARDWIRED SWITCHING OR NON-INTEGRATED MOTION SENSOR... HLSW
		Wattages are Max Input Watts		<input type="checkbox"/> 480	<input type="checkbox"/> 3-90	<input type="checkbox"/> GREEN RAL-6005-T	<input type="checkbox"/> PHOTO CELL + VOLTAGE (EXAMPLE: PC120V)... PC+V
					<input type="checkbox"/> 3-120	FOR SMOOTH FINISH REMOVE SUFFIX "T" (EXAMPLE: RAL-9500)	<input type="checkbox"/> TWIST LOCK PHOTOCELL +VOLTAGE... TPC+V
					<input type="checkbox"/> 4-90	SEE USALTG.COM FOR ADDITIONAL COLORS	<input type="checkbox"/> TWIST LOCK PHOTOCELL RECEPTACLE ONLY... TPR
					WALL MOUNT		<input type="checkbox"/> 10KV SURGE PROTECTOR... 10SP
					<input type="checkbox"/> WM		<input type="checkbox"/> 20KV SURGE PROTECTOR (277V & 480V Only)... 20SP

SOLID STATE AREA LIGHTING

CMP SERIES-LED

SPECIFICATIONS

LUMINAIRE

High Impact clear polycarbonate diffusing lenses provided with durable corrosion resistant cast aluminum housing. Top is hinged for access. Luminaire base has 3" I.D. opening for tenon. All hardware is stainless steel.

LED POWER ARRAY™

Three-dimensional array of individual LED Tubes fastened to a retaining plate. Each LED Tube consists of circuit board populated with a multiple of LED's and is mechanically fastened to a radial aluminum heat sink. An acrylic Lens and end cap protects the LED Tube's internal components.

ANGLED POWER ARRAY™: Micro-Reflectors mounted around each LED control the raw light output. LED Tubes are uniquely aimed horizontally and vertically and combined to produce highly efficient IES Distribution Types II, III, IV and V. Used in conjunction with a clear patterned diffusing lenses.

VERTICAL POWER ARRAY™ WITH GLASS REFRACTOR: LED Tubes are aligned vertically and arranged radially to produce an even raw light distribution that simulates standard light sources. Array is secured within a 6" Prismatic Glass Refractor which provides the optical control. Used in conjunction with clear smooth or clear patterned lenses.

VERTICAL POWER ARRAY™: LED Tubes are aligned vertically and arranged radially to produce an even raw light distribution that simulates standard light sources. Produces a minimal glare, symmetric diffuse light distribution. Used in conjunction with opal diffusing lenses.

LED EMITTERS

High Output LED's are driven at 350mA for nominal 1 Watt output each. LED's are available in standard Neutral White (4000K), or optional Cool White (5000K) or Warm White (3000K). Consult Factory for other LED options.

LED DRIVER

UL and CUL recognized High Power Factor, Constant Current LED drivers operate on input voltages from 120-277VAC, 50/60hz. Consult Factory for 347-480VAC. Driver is mechanically fastened to a retaining bracket. Main power quick disconnect provided. Driver has a minimum 4KV of internal surge protection, 10KV & 20KV Surge Protector optional. Dimming and High-Low Driver options available.

FINISH

Polyester powder coat incorporates four step iron phosphate process to pretreat metal surface for maximum adhesion. Top coat is baked at 400°F for maximum hardness and exterior durability.

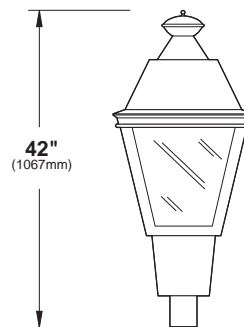
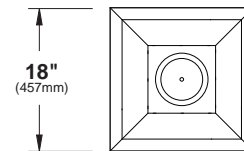
PROJECT NAME: _____

PROJECT TYPE: _____



CMP

PATENT PENDING



2013135

CMP SERIES - LED

S P E C I F I C A T I O N S

OPTIONAL STYLES

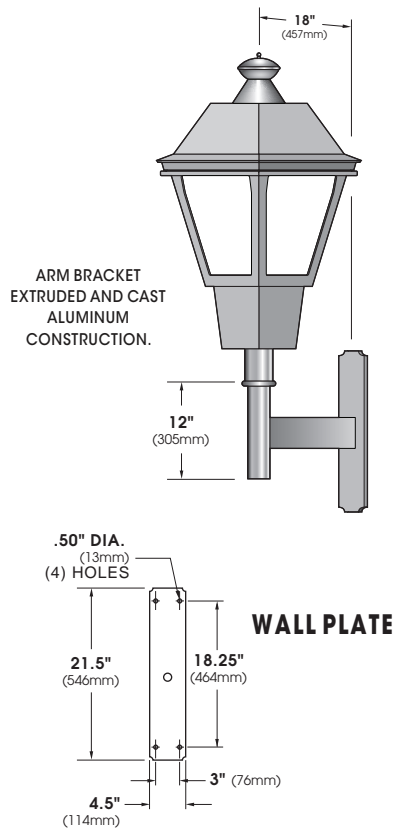


CMPN



CMPL

WALL MOUNT



LED POWER ARRAY™ MODULES

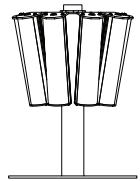


CMP-LED
E.P.A. = 3.15

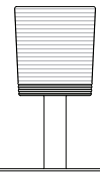
ANGLED ARRAY
Available in:
10 Array 80 LED Max.

**GLASS REFRACTOR w/
VERTICAL ARRAY**
Available in:
6 Array 36LED Max.

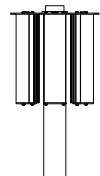
VERTICAL ARRAY
Available in:
8 Array 64 LED Max.
10 Array 80 LED Max.



APA - Angled Array
Base mount



GRV - Glass Refractor
w/ Vertical Array
Base mount



VPA - Vertical Array
Base mount

(Specifications subject to
change without prior notice.)

PATENT PENDING

O R D E R I N G I N F O R M A T I O N

LUMINAIRE	OPTICS	# of LED's	COLOR	VOLTAGE	MOUNTING	FINISH	OPTIONS
LUMINAIRE	OPTICS	LED			MOUNTING	FINISH	OPTIONS
LUMINAIRE	ANGLED POWER ARRAY (CLEAR PATTERNED LENS)	No. LEDs	COLOR	VOLTAGE	ARM MOUNT	STANDARD TEXTURED FINISH	LENS OPTIONS:
<input type="checkbox"/> CMPN-LED	<input type="checkbox"/> APA - II	<input type="checkbox"/> 80LED (89 Watts)	<input type="checkbox"/> NW (4000K)* * STANDARD	<input type="checkbox"/> 120	<input type="checkbox"/> 1	<input type="checkbox"/> BLACK RAL-9005-T	<input type="checkbox"/> CLEAR PATTERNED POLYCARBONATE... CPP (STANDARD LENS)
<input type="checkbox"/> CMPL-LED	<input type="checkbox"/> APA - III	<input type="checkbox"/> 60LED (67 Watts)	<input type="checkbox"/> CW (5000K)	<input type="checkbox"/> 208	<input type="checkbox"/> 2-180	<input type="checkbox"/> WHITE RAL-9003-T	<input type="checkbox"/> CLEAR SMOOTH POLYCARBONATE... CP
	<input type="checkbox"/> APA - IV	<input type="checkbox"/> 40LED (45 Watts)	<input type="checkbox"/> WW (3000K)	<input type="checkbox"/> 240	<input type="checkbox"/> 2-90	<input type="checkbox"/> GREY RAL-7004-T	<input type="checkbox"/> OPAL SMOOTH ACRYLIC... WP
	<input type="checkbox"/> APA - V		OTHER LED COLORS AVAILABLE CONSULT FACTORY	<input type="checkbox"/> 277	<input type="checkbox"/> 3-90	<input type="checkbox"/> DARK BRONZE RAL-8019-T	<input type="checkbox"/> CLEAR PATTERNED ACRYLIC... CPA
		Wattages are Max Input Watts		<input type="checkbox"/> 347	<input type="checkbox"/> 3-120	<input type="checkbox"/> GREEN RAL-6005-T	<input type="checkbox"/> CLEAR SMOOTH ACRYLIC... CA
	GLASS REFRACTOR (CLEAR PATTERNED OR CLEAR SMOOTH LENS)	<input type="checkbox"/> 36LED (41 Watts)		<input type="checkbox"/> 480	<input type="checkbox"/> 4-90		<input type="checkbox"/> OPAL SMOOTH POLYCARBONATE... WA
	<input type="checkbox"/> GRV - III						<input type="checkbox"/> HOUSE SIDE SHIELD... HS
	<input type="checkbox"/> GRV - V	Wattages are Max Input Watts			WALL MOUNT		<input type="checkbox"/> DIMMABLE DRIVER(S) (0-10V)... DIM
	VERTICAL POWER ARRAY (OPAL LENS)	<input type="checkbox"/> 80LED (89 Watts)			<input type="checkbox"/> WM		<input type="checkbox"/> HIGH-LOW DIMMING FOR HARDWIRED SWITCHING OR NON-INTEGRATED MOTION SENSOR... HLSW
	<input type="checkbox"/> VPA - SYM	<input type="checkbox"/> 64LED (72 Watts)					<input type="checkbox"/> PHOTO CELL + VOLTAGE (EXAMPLE: PC120V)... PC+V
		<input type="checkbox"/> 48LED (53 Watts)			POST TOP		<input type="checkbox"/> 10KV SURGE PROTECTOR... 10SP
		Wattages are Max Input Watts			<input type="checkbox"/> PT		<input type="checkbox"/> 20KV SURGE PROTECTOR (277V & 480V Only)... 20SP