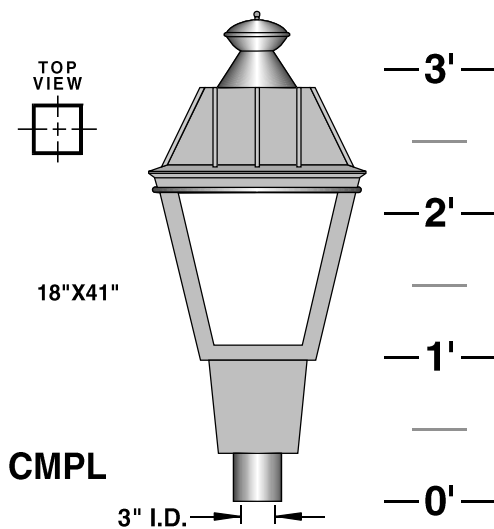
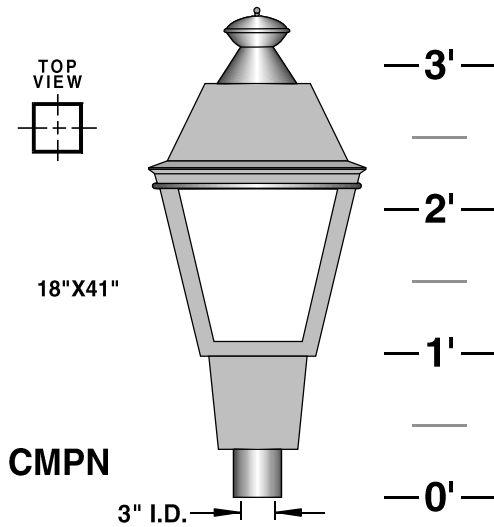


(SPECIFY AS SUFFIX TO LUMINAIRE NO.)

CAST ALUMINUM CONSTRUCTION. LUMINAIRE PROVIDED WITH ACRYLIC OR POLYCARBONATE LENSES



BALLASTS ARE H.P.F. / C.W.A. AUTOTRANSFORMER, -20° STARTING TEMPERATURE

METAL HALIDE	HIGH PRESSURE SODIUM	MERCURY VAPOR	INC.	FOR FLUOR. LAMPS CONSULT FACTORY
50W.	50W.	50W.	TO	
70W.	70W.	75W.	200W.	
100W.	100W.	100W.		
175W.	150W.	175W.		
250W.	250W.	250W.		
400W.	400W.	400W.		

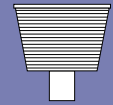


INTERNAL LOUVER



IL

PRISMATIC GLASS REFRACTOR TYPE II TYPE V



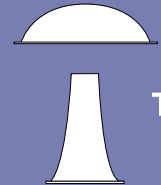
PG-II
PG-V

GLASS CHIMNEY CLEAR OR 3/4 FROSTED



GCC
GCF

TWIN REFLECTOR SYSTEM TYPE V



TR-V

STANDARD PANELS:
CLEAR PATTERNED ACRYLIC

OPTIONS:
 OPAL SMOOTH ACRYLIC.....WA
 CLEAR SMOOTH ACRYLIC.....CA
 OPAL SMOOTH POLYCARBONATEWP
 CLEAR SMOOTH POLYCARBONATECP

REFLECTOR OPTIONS
 TYPE III (HORIZONTAL LAMP).....HR-III
 TYPE V (HORIZONTAL LAMP).....HR-V

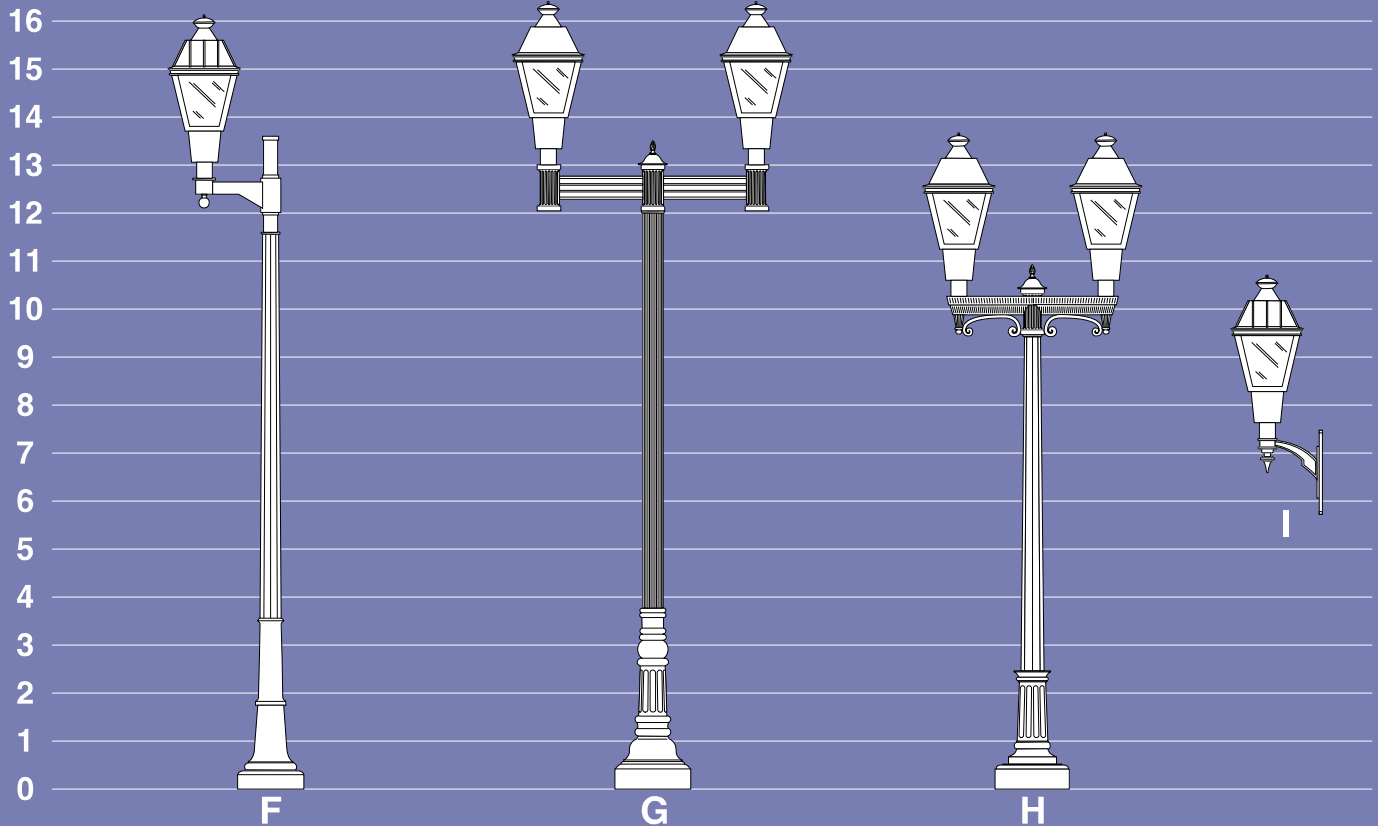
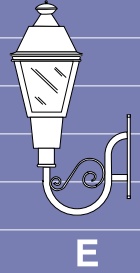
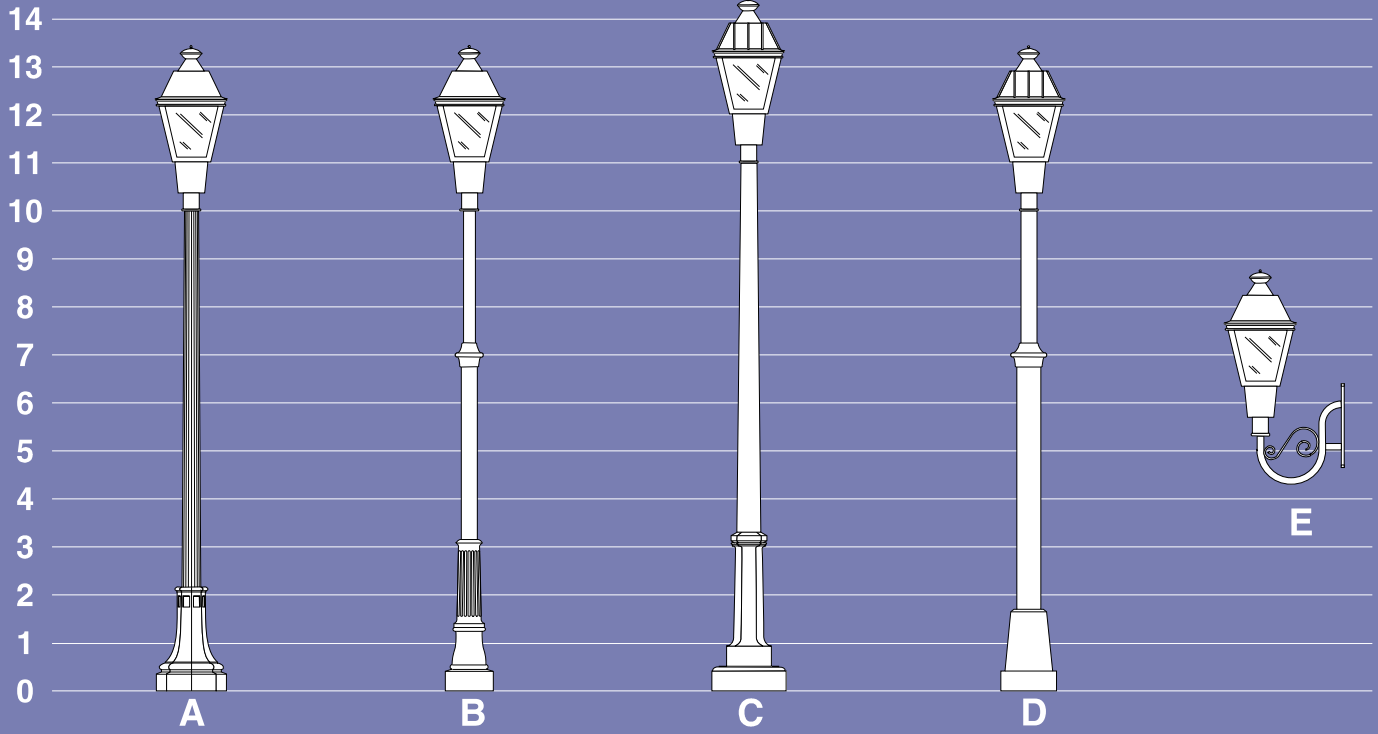
HOUSE SIDE SHIELD 90°.....HS90°
 135°.....HS135°
 180°.....HS180°

PHOTO CELL + VOLTAGE
 (EXAMPLE: PC120V).....PC+V

SINGLE FUSE (120V., 277V.).....SF

DOUBLE FUSE (208V., 240V., 480V.).....DF

SCALE: 1/4"=1'-0"



- A. 26-1030C-10'/CMPN-CP/PT/BALLAST/ACCESSORIES/FINISH
- B. 32-4030-10'/CMPN-CA/PT/BALLAST/ACCESSORIES/FINISH
- C. 11-1046T-11'/CMPL-WP/PT/BALLAST/ACCESSORIES/FINISH
- D. 25-9040-10'/CMPL/PT/BALLAST/ACCESSORIES/FINISH
- E. WS/CMPN-WA/XBJ-WM/BALLAST/ACCESSORIES/FINISH

- F. 35-1058C-11'-7"/CMPL/XBY-1/BALLAST/ACCESSORIES/FINISH
- G. 12-1070-12'/CMPN-WP/XAX-2-180/BALLAST/ACCESSORIES/FINISH
- H. 13-1080C-9'-6"/CMPN-WA/XAD-UP-2-180/BALLAST/ACCESSORIES/FINISH
- I. WS/CMPL-CA/XAZ-UP-WM/BALLAST/ACCESSORIES/FINISH