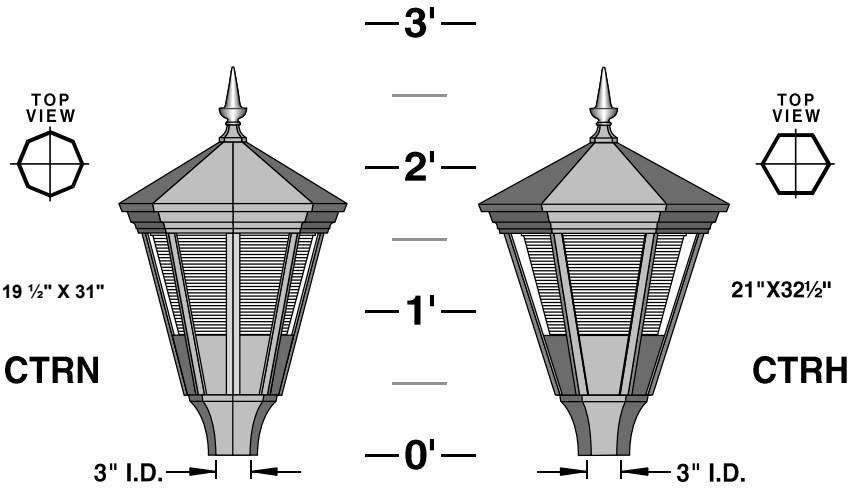
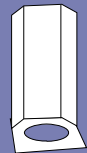


(SPECIFY AS SUFFIX TO LUMINAIRE NO.)

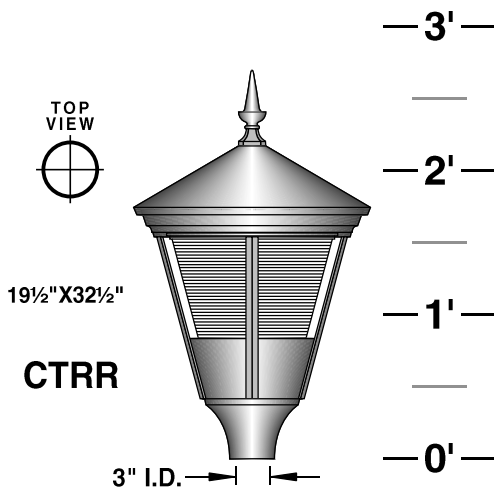
CAST ALUMINUM CONSTRUCTION. LUMINAIRE PROVIDED WITH CLEAR BOROSILICATE THERMO-RESISTANT PRISMATIC GLASS REFRACTOR



HOUSE SIDE SHIELD
90°, 135°, 180°



HS90°
HS135°
HS180°



BALLASTS ARE H.P.F. / C.W.A. AUTOTRANSFORMER, -20° STARTING TEMPERATURE

METAL HALIDE	HIGH PRESSURE SODIUM	MERCURY VAPOR	FOR FLUOR. LAMPS CONSULT FACTORY
50W.	50W.	50W.	INC. TO 200W.
70W.	70W.	75W.	
100W.	100W.	100W.	
175W.	150W.	175W.	
250W.	250W.	250W.	



TYPE II LIGHT DISTRIBUTION.....II

TYPE V LIGHT DISTRIBUTION.....V

PHOTO CELL + VOLTAGE (EXAMPLE: PC120V).....PC+V

SINGLE FUSE (120V., 277V.).....SF

DOUBLE FUSE (208V., 240V., 480V.).....DF

14
13
12
11
10
9
8
7
6
5
4
3
2
1
0



16
15
14
13
12
11
10
9
8
7
6
5
4
3
2
1
0



FT.

- A. 4-6030-10/CTRN-II/PT/BALLAST/ACCESSORIES/FINISH
- B. 11-1058C-11'/CTRH-V/PT/BALLAST/ACCESSORIES/FINISH
- C. 8-1060-10'/CTRN-V/PT/BALLAST/ACCESSORIES/FINISH
- D. 12-1035T-12'/CTRR-V/PT/BALLAST/ACCESSORIES/FINISH
- E. WS/CTRH-II/XAY-WM/BALLAST/ACCESSORIES/FINISH

- F. 75-1046T-10'/CTRR-II/XAT-2-180/BALLAST/ACCESSORIES/FINISH
- G. 16-1030C-12'/CTRH-II/XAZ-DN-2-180/BALLAST/ACCESSORIES/FINISH
- H. 5-1040-11'/CTRN-II/XAC-2-180/BALLAST/ACCESSORIES/FINISH
- I. WS/CTRR-V/XAA-WM/BALLAST/ACCESSORIES/FINISH